



# Aquatec® Ocean VIP Ergo / Aquatec® Ocean Dual VIP Ergo

en	Mobile Shower- and Toilet Chair User Manual .....	3
de	Mobiler Dusch- und Toilettenstuhl Gebrauchsanweisung.....	35
fr	Chaise roulante pour douche et toilettes Manuel d'utilisation.....	73
it	Sedia da doccia e toilette mobile Manuale d'uso.....	109
es	Silla de ducha e inodoro móvil Manual del usuario .....	145
pt	Cadeira móvel de chuveiro e sanita Manual de utilização.....	181
nl	Mobiele douche- en toiletstoel Gebruiksaanwijzing .....	217

This manual **MUST** be given to the user of the product.  
**BEFORE** using this product, this manual **MUST** be read and saved for  
future reference.

**AQUATEC®**



**Yes, you can.®**

©2022 Invacare Corporation

All rights reserved. Republication, duplication or modification in whole or in part is prohibited without prior written permission from Invacare. Trademarks are identified by ™ and ®. All trademarks are owned by or licensed to Invacare Corporation or its subsidiaries unless otherwise noted.

Alle Rechte vorbehalten. Die Weiterveröffentlichung, Vervielfältigung oder Änderung im Ganzen oder in Teilen ohne vorherige schriftliche Genehmigung von Invacare ist untersagt. Marken sind durch ™ und ® gekennzeichnet. Soweit nicht anders angegeben sind alle Marken Eigentum der Invacare Corporation bzw. derer Tochtergesellschaften oder werden von diesen in Lizenz genutzt.

Tous droits réservés. La republication, la duplication ou la modification de tout ou partie du présent document est interdite sans l'accord écrit préalable d'Invacare. Les marques commerciales sont identifiées par ™ et ®. Toutes les marques commerciales sont détenues par ou cédées sous licence à Invacare Corporation ou ses filiales, sauf stipulation contraire.

Tutti i diritti riservati. È proibita la riproduzione, duplicazione o la modifica parziale o completa, salvo previa autorizzazione scritta da parte di Invacare. I marchi sono contrassegnati da ™ e ®. Tutti i marchi sono di proprietà o licenza di Invacare Corporation o di sue affiliate, salvo indicazione contraria.

Todos los derechos reservados. Queda prohibido volver a publicar, copiar o modificar el presente documento, en parte o por completo, sin el previo consentimiento por escrito de Invacare. Las marcas comerciales se identifican con ™ y ®. Todas las marcas comerciales son propiedad de Invacare Corporation o de sus filiales, o bien Invacare Corporation o sus filiales cuentan con las correspondientes licencias, a menos que se estipule lo contrario.

Todos os direitos reservados. A republicação, duplicação ou modificação total ou parcial está interdita sem a autorização prévia por escrito da Invacare. As marcas comerciais são identificadas pelos símbolos ™ e ®. Todas as marcas comerciais são propriedade da ou estão licenciadas à Invacare Corporation ou às suas subsidiárias, exceto quando apresentada informação em contrário.

Alle rechten voorbehouden. Herpublicatie, duplicatie of gehele of gedeeltelijke wijziging is verboden zonder voorafgaande schriftelijke toestemming van Invacare. Handelsmerken zijn te herkennen aan ™ en ®. Alle handelsmerken zijn eigendom van of gelicentieerd aan Invacare Corporation of haar dochterondernemingen, tenzij anders aangegeven.

Všechna práva vyhrazena. Přetisk, vytváření kopií nebo úpravy, ať celého dokumentu, nebo jen jeho částí, jsou bez předchozího písemného souhlasu společnosti Invacare zakázány. Ochranné známky jsou označeny symboly ™ a ®. Není-li uvedeno jinak, všechny ochranné známky vlastní nebo používá na základě získané licence společnost Invacare či její přidružené společnosti.

---

# Contents

---

This manual MUST be given to the user of the product.  
BEFORE using this product, this manual MUST be read and saved  
for future reference.

<b>1 General</b>	<b>4</b>
1.1 Introduction	4
1.2 Symbols in this Document	4
1.3 Warranty Information	5
1.4 Compliance	5
1.4.1 Product-specific Standards	5
1.5 Service Life	5
<b>2 Safety</b>	<b>6</b>
2.1 Safety Information	6
2.2 Labels and Symbols on the Product	7
<b>3 Product Overview</b>	<b>10</b>
3.1 Intended Use	10
3.2 Main Parts of the Product	10
<b>4 Setup</b>	<b>12</b>
4.1 Safety Information	12
4.2 Assembling the Shower- and Toilet Chair	12
4.2.1 Adjusting the Seat Height	12
4.2.2 Installing the Backrest	13
4.2.3 Installing the Activation Handle	14
4.2.4 Installing and Removing the Seat Plate	15
4.2.5 Setting Armrest Height	15
4.2.6 Installing the Footrests	16
4.2.7 Installing the Headrest	17
4.2.8 Installing the Rear Antitippers	18
4.2.9 Installing/ Removing the Brake Covers/ Clamping Protection Covers	19
4.3 Assembling Accessories and Options	20

4.3.1 Installing/Removing the Toilet Pan Holder and Toilet Pan	20
<b>5 Usage</b>	<b>21</b>
5.1 Safety Information	21
5.2 Turning Armrests	22
5.3 Swivelling the Footrests	22
5.4 Tilting the Seat Frame with Backrest	23
5.5 Tilting the Backrest (Ocean Dual VIP Ergo Only)	24
5.6 Engaging/Disengaging the Castor Locks	25
<b>6 Transport</b>	<b>26</b>
6.1 Safety Information	26
<b>7 Maintenance</b>	<b>27</b>
7.1 Maintenance and Inspection	27
7.2 Cleaning and Disinfection	27
7.2.1 General Safety Information	27
7.2.2 Cleaning Intervals	28
7.2.3 Cleaning	28
7.2.4 Disinfection Instructions	29
<b>8 After Use</b>	<b>30</b>
8.1 Storage	30
8.2 Reconditioning	30
8.3 Disposal	30
<b>9 Troubleshooting</b>	<b>31</b>
9.1 Identifying and Repairing Faults	31
<b>10 Technical Data</b>	<b>32</b>
10.1 Dimensions and Weight	32
10.2 Materials	34
10.3 Environmental Parameters	34

# 1 General

## 1.1 Introduction

This user manual contains important information about the handling of the product. To ensure safety when using the product, read the user manual carefully and follow the safety instructions.

Only use this product if you have read and understood this manual. Seek additional advice from a healthcare professional who is familiar with your medical condition and clarify any questions regarding the correct use and necessary adjustment with the healthcare professional.

Note that there may be sections in this document, which are not relevant to your product, since this document applies to all available models (on the date of printing). If not otherwise stated, each section in this document refers to all models of the product.

The models and configurations available in your country can be found in the country-specific sales documents.

Invacare reserves the right to alter product specifications without further notice.

Before reading this document, make sure you have the latest version. You find the latest version as a PDF on the Invacare website.

If you find that the font size in the printed document is difficult to read, you can download the PDF version from the website. The PDF can then be scaled on screen to a font size that is more comfortable for you.

For more information about the product, for example product safety notices and product recalls, contact your Invacare distributor. See addresses at the end of this document.

In case of a serious incident with the product, you should inform the manufacturer and the competent authority in your country.

## 1.2 Symbols in this Document

Symbols and signal words are used in this document and apply to hazards or unsafe practices which could result in personal injury or property damage. See the information below for definitions of the signal words.



### WARNING

Indicates a hazardous situation that could result in serious injury or death if it is not avoided.



### CAUTION

Indicates a hazardous situation that could result in minor or slight injury if it is not avoided.



### NOTICE

Indicates a hazardous situation that could result in damage to property if it is not avoided.



### Tips and Recommendations

Gives useful tips, recommendations and information for efficient, trouble-free use.

### Other Symbols

(Not applicable for all manuals)



UK Responsible Person  
Indicates if a product is not manufactured in the UK.



Triman  
Indicates recycling and sorting rules (only relevant for France).

### 1.3 Warranty Information

We provide a manufacturer's warranty for the product in accordance with our General Terms and Conditions of Business in the respective countries.

Warranty claims can only be made through the provider from whom the product was obtained.

### 1.4 Compliance

Quality is fundamental to the company's operation, working within the disciplines of ISO 13485.

This product features the CE mark, in compliance with the Medical Device Regulation 2017/745 Class I.

This product features the UKCA mark, in compliance with Part II UK MDR 2002 (as amended) Class I.

We are continuously working towards ensuring that the company's impact on the environment, locally and globally, is reduced to a minimum.

We only use REACH compliant materials and components.

#### 1.4.1 Product-specific Standards

The product has been tested and conforms to the standard ISO 17966 (Assistive products for personal hygiene that

support users) and related standards. This includes testing concerning flammability. Progressive smouldering ignition and flaming ignition do not occur.

For further information about local standards and regulations, contact your local Invacare representative. See addresses at the end of this document.

### 1.5 Service Life

The expected service life of this product is five years when used daily and in accordance with the safety instructions, maintenance intervals and correct use, stated in this manual. The effective service life can vary according to frequency and intensity of use.

## 2 Safety

### 2.1 Safety Information



**WARNING!**

**Risk of Serious Injury or Damage**

Improper use of this product may cause injury or damage.

- If you are unable to understand the warnings, cautions or instructions, contact a health care professional or provider before attempting to use this equipment.
- Do not use this product or any available optional equipment without first completely reading and understanding these instructions and any additional instructional material such as user manual, service manual or instruction sheet supplied with this product or optional equipment.



**WARNING!**

**Risk of Injury**

- Before every use, check the product for damage and ensure that it is securely assembled.
- Before first use, clean the product thoroughly.



**WARNING!**

**Risk of Injury**

Improper use of this product may cause injury or damage.

- Do not use if defective.
- In the event of a malfunction, contact your provider immediately.
- Do not make any unauthorised changes or alterations to the product.
- Only use accessories / options intended for this product.



**WARNING!**

**Risk of Injury**

Improper use of this product may cause injury or damage.

- Do not lift the product when under load.
- Do not stand on the product.



**CAUTION!**

**Risk of Injury**

Non-original or wrong parts may affect the function and safety of the product.

- Only use original parts for the product in use.
- Due to regional differences, refer to your local Invacare catalogue or website for available options or contact your Invacare distributor. See addresses at the end of this document.



**NOTICE!**

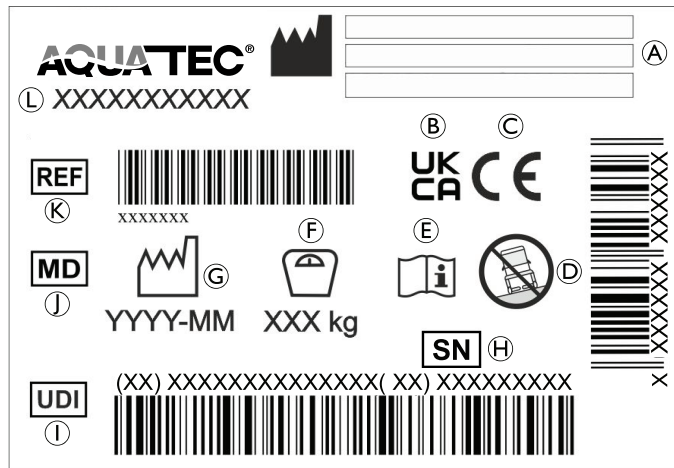
When combining this product with another product, the restrictions of both products apply for the combination. E.g. the maximum user weight of one product in the combination may be lower.

- Only use combinations allowed by Invacare. Contact your Invacare distributor for information.
- Before use, read the user manual of each product and check the restrictions. The full compliance with the information, instructions and recommendations contained in both user manuals is necessary for a safe use.

**2.2 Labels and Symbols on the Product**


**Identification Label**

The identification label contains important information:





(A)	Manufacturer address
(B)	UK Conformity Assessed
(C)	European Conformity
(D)	For use on level ground only
(E)	Read user manual
(F)	Maximum user weight
(G)	Date of manufacture
(H)	Serial number
(I)	Unique Device Identifier
(J)	Medical device

Ⓚ	Reference number
Ⓛ	Product designation

 The identification label is attached to the inside of the left side part.


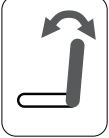
### Labels on the Product

The following label is attached to the backside of the headrest:	
Label	Description
	<p><b>CAUTION!</b></p> <p>Risk of impact</p> <p>Your body can be hit by the backrest/headrest when pulling the activation handle.</p> <ul style="list-style-type: none"> <li>– Make sure there is enough space between you and the backrest/headrest when tilting the seat frame with backrest.</li> </ul>

The following label is attached to the handle of the backrest:	
Label	Description
	<p><b>WARNING!</b></p> <p>Risk of tipping over</p> <ul style="list-style-type: none"> <li>– Do not step on the footrest when getting into or out of the shower- and toilet chair.</li> <li>– Push the footrests to the sides or fold up the foot plates before getting into or out of the shower- and toilet chair.</li> <li>– Before sitting down or standing up, turn the castors so that the lock is pointing forwards.</li> <li>– Do not lean too far forwards when sitting in the shower- and toilet chair.</li> </ul>



The following labels are attached to the activation handles:

<b>Label</b>	<b>Description</b>
	Activation handle for seat tilting.
	Activation handle only for backrest tilting.

## 3 Product Overview

### 3.1 Intended Use

Aquatec Ocean VIP Ergo and Aquatec Ocean Dual VIP Ergo are mobile shower- and toilet chairs with a seat tilt-in space function, stainless steel frame, individually adjustable seat height, tension adjustable backrest, flip up armrests and foldable angle-adjustable textured foot plates. The product is also available with an additional backrest reclining function.

These mobile shower and toilet chairs are intended to support personal hygiene activities with or without assistance in institutional and household surroundings.

Temperature for use (indoors only): 10 - 65 °C

#### Intended Users

The intended user is the person sitting in the shower- and toilet chair or an assistant. The device can be used for adolescents or adults having a physical size equal to or more than 146 cm, a weight equal to or more than 40 kg and a body mass index equal to or more than 16.

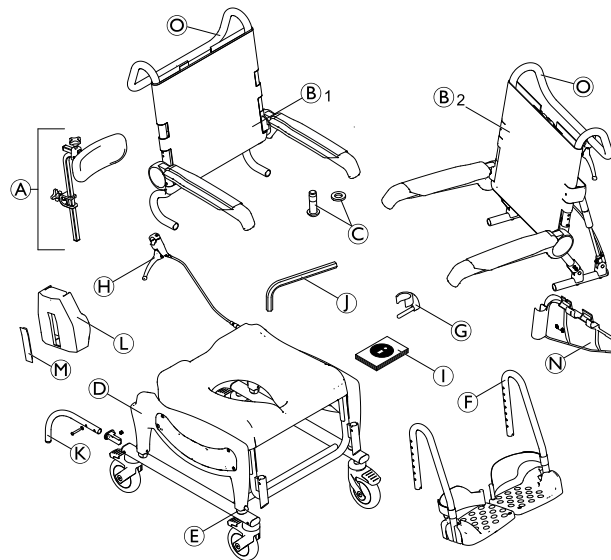
For the maximum user weight of the product see *10 Technical Data, page 32*.

#### Indications

- Difficulty in standing or keeping balance,
- weak legs or lower limb disability,
- medical conditions that impair the balance.

There are no contraindications known when using the product as intended.

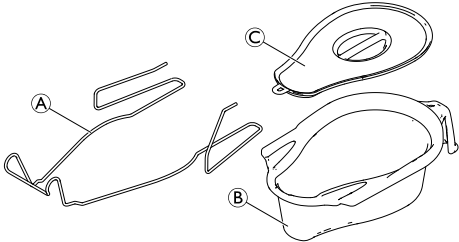
### 3.2 Main Parts of the Product



Ⓐ	Head support
Ⓑ <sub>1</sub>	<b>Ocean VIP Ergo:</b> Backrest with backrest cover and armrests
Ⓑ <sub>2</sub>	<b>Ocean Dual VIP Ergo:</b> Backrest with backrest cover, armrests and activation handle for backrest tilting
Ⓒ	Screws (4x) and washers (4x) for backrest fixation
Ⓓ	Seat frame with seat plate and side parts with base frame and castors

Ⓔ	Clips (4x) for height adjustment
Ⓕ	Footrests with heel straps (2x)
Ⓖ	Clips (2x) for footrests
Ⓗ	Activation handle for seat tilting
Ⓘ	User manual
Ⓙ	Allen key
Ⓚ	Rear antitipper with screw, washer and mounting cap (2x) (Ocean Dual VIP Ergo only)
Ⓛ	Brake cover (2x)
Ⓜ	Brake lever cover (2x)
Ⓝ	Clamping protection cover (2x)
Ⓒ	Push bar

**Toilet Pan Holder with Toilet Pan (optional)**



Ⓐ	Toilet pan holder
Ⓑ	Toilet pan
Ⓒ	Lid

## 4 Setup

### 4.1 Safety Information



#### WARNING!

- Check the parts for transport damage before commissioning and contact your provider if required.
- Ensure during assembly that the parts are positioned correctly with respect to one another.
- Self-locking screws/nuts or thread-locking adhesive are used for several connections. If these are loosened, they must be replaced by new self-locking screws/nuts or they must be secured using new thread-locking adhesive.



#### CAUTION!

#### Risk of Pinching

- Take care during assembly.

### 4.2 Assembling the Shower- and Toilet Chair

This section describes the assembly. Disassembly takes place in the reverse order.



The armrest height, footrest height, footrest angle, headrest, heel strap, tension of backrest cover and accessories / options must be adjusted to optimally fit the user.

#### 4.2.1 Adjusting the Seat Height

This section describes the assembly. Disassembly takes place in the reverse order.

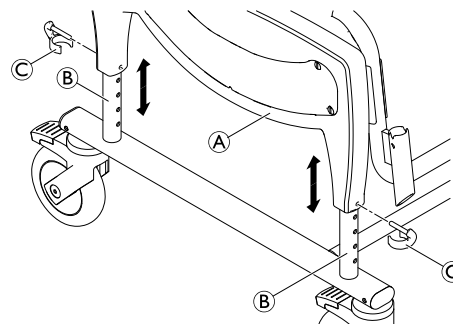


#### WARNING!

- Do not adjust the seat height of the shower-and toilet chair when someone is sitting on it.



The seat height must be adjusted on both sides simultaneously.



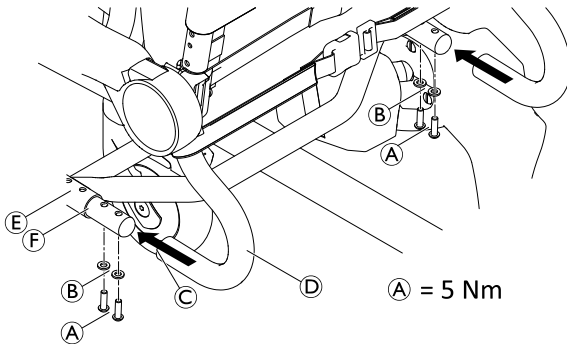
1. Slightly raise the shower- and toilet chair at the side part **A**.
2. Remove the four clips **C** (two on each side).
3. Set the correct height by simultaneously moving the seat frame upwards or downwards on the four tubes **B** of the base frame.
4. Bring the clip mounts on the side part in line with a hole in the base frame.
5. Insert the four clips from the outside into the side part, until the clip edges enclose the base frame tube **B**.

**WARNING!****Risk of Injury**

- Make sure that all four clips are securely fastened.
- Make sure that all four tubes are set to the same height.



The seat height can be adjusted to accommodate different situations of use e.g. transfer from a bed or a wheelchair or use above toilet etc.

**4.2.2 Installing the Backrest**

1. Push down all four foot pedals of the castors to lock them.
2. Push the backrest **D** from behind onto the seat frame **E**, until the collar **C** touches the seat frame tube **F**.

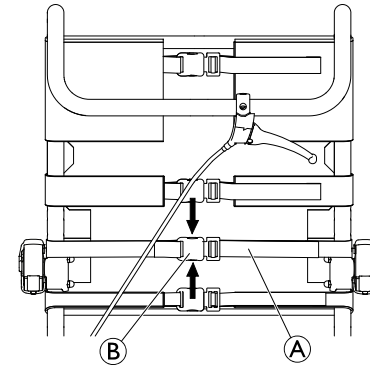
**NOTICE!**

- Firmly tighten the screws using the Allen key supplied.
- Check the screws regularly to ensure they are fastened securely.

3. Position a washer **B** on each screw **A** and secure the backrest on each side.
4. Tighten the screws with a torque of 5 Nm.

**Adjusting the Backrest Cover**

The tension of the backrest can be adjusted as needed.

**WARNING!**

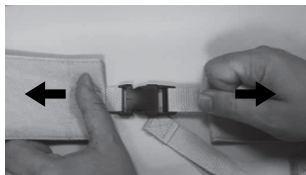
- Make sure that at least three belts are always passed around the backrest frame (on the outside) and their belt buckles are fastened.

Tightening:

1. Pull the belts **A** of the backrest cover tighter.

### Loosening:

1. Open the buckles **Ⓑ** by squeezing the retaining lugs together (arrows).
2. Push the belts back a little through the buckle.
3. Fasten the belt buckles.
4. Retighten the belts gently.



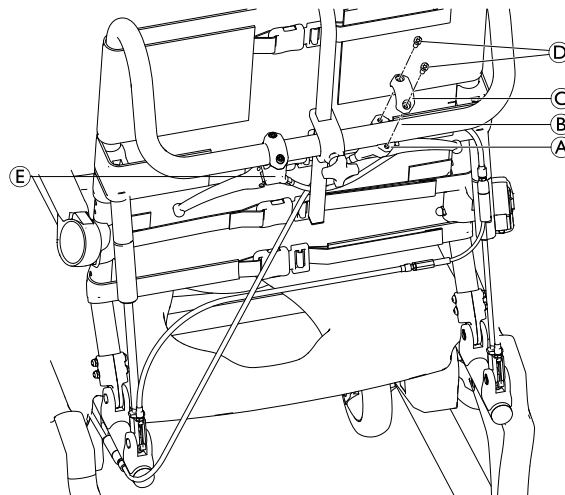
#### **WARNING!**

#### **Risk of Injury due to Damaged Backrest Buckles!**

Check for secure fastening of the backrest buckles each time the product is maintained or reconditioned.

- Check all buckle clips for secure fastening by closing the buckles and pulling on both ends.
- Replace the backrest/backrest buckles if a buckle opens under the applied force.

### 4.2.3 Installing the Activation Handle



1. Remove the clamping part **Ⓒ** from the activation handle **Ⓐ** by loosening the screws **Ⓓ**.
2. Position the activation handle **Ⓐ** for seat tilting from the underside at the right side of the handle tube **Ⓑ**.



The handle should be slightly turned inwards to the backrest.

3. Install the activation handle to the handle tube using the clamping part **Ⓒ** and screws **Ⓓ**.



For the Ocean Dual VIP Ergo, the activation handle **Ⓔ** for backrest tilting is already installed to the left side of the handle tube. The position of the activation handle can be changed if required.

#### 4.2.4 Installing and Removing the Seat Plate

##### Installing

1. Place the seat plate on the seat frame with the cutout to the front.
2. Press the seat plate down with the flat hand at the sides and then at the front and back until the seat plate snaps onto the seat frame.

##### Removing

1. Pull the seat plate upwards at the rear.

#### 4.2.5 Setting Armrest Height

1. Open the belt buckle of the backrest cover which is passed on the inside of the backrest frame.
2. Open the belt buckle on the backrest cover, which is above the armrest.



When adjusting to a lower position the belt beneath the armrest must be opened.

3. Pass this belt on the inside of the backrest frame and close it again.

4.

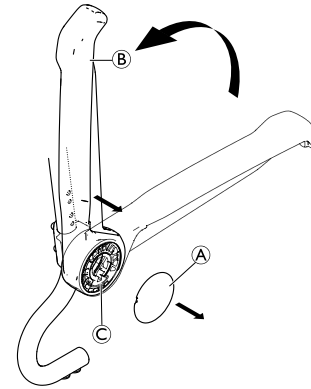


Fig. 4-1

Remove cap **A**.

5. Fold up armrest **B** to pull it off the armrest bracket **C**.
- 6.

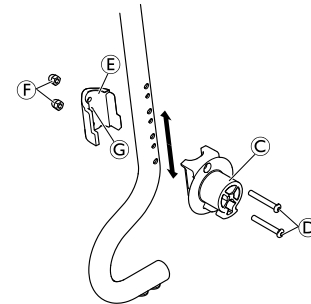




Fig. 4-2

Remove screws **D** from armrest bracket **C** with supplied Allen key.

- Remove securing clamp ⑤ with nuts ⑥ from the inside of the backrest frame.

 The nuts are inserted loosely into the securing clamp and may drop out.

- To reinstall armrest bracket and securing clamp at desired position, insert screws ④ into armrest bracket and guide them through the desired holes in the backrest frame.

 The smaller holes on the inside of the backrest frame fix the securing clamp.

- Place the securing clamp in such way that the fixing ③ of securing clamp engages in smaller hole.
- Tighten screws ④ with 5 - 6 Nm and nuts ⑥.
- 

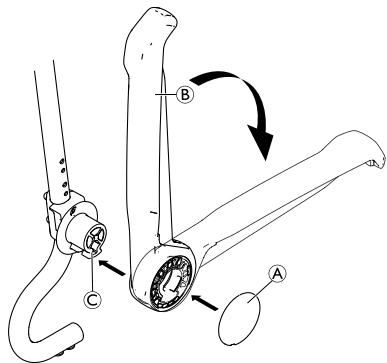


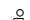
Fig. 4-3

Reinstall armrest ② on bracket ③.

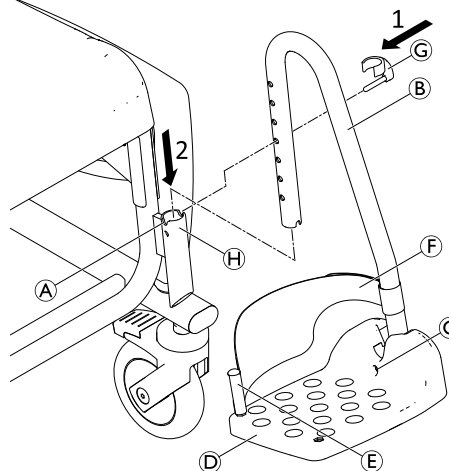
- Fold down armrest.
- Reinstall cap ①.

- Pass the open belt of the backrest cover on the outside of the backrest frame, close belt buckles and tighten all the belts.

- The height adjustment procedure is the same for the right and left armrest.

 To install accessories / options, the third belt from the top can be opened and the backrest cover can be passed by the backrest frame from the inside.

#### 4.2.6 Installing the Footrests





1. Insert the pin of the clip ③ from the outside into the required hole on the footrest ②. Make sure the clip engages around the tube.
2. Push the footrest into the guide ④ at the front of the side part until the pin of clip ③ engages in the groove ①. The footrest can no longer be turned to the side.



The assembly procedure is the same for the right and the left footrest.

### Adjusting the Height of the Footrests



The footrests can be shortened if required (refer to the service manual). Shortening the footrests must be performed by a qualified technician.

1. Slightly pull up the footrest ②.
2. Pull the clip ③ out of the hole in the footrest and re-insert it into the required hole. Pull out the footrest slightly further if necessary.
3. Push down the footrest until the groove ① catches the pin of the clip.
4. Set the other footrest to the required height as described.

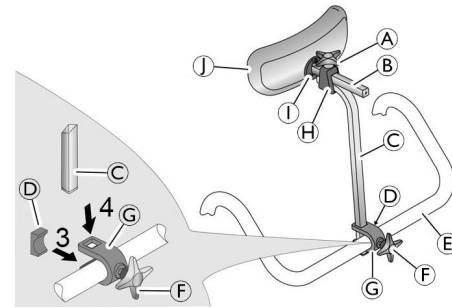
### Adjusting the Inclination of the Foot Plates




The inclination of the foot plates can be adjusted infinitely variably.

1. Loosen the Allen screw ③ on the foot plate using a size 4 Allen key.
2. Turn the foot plate ④ to the required position.
3. Re-tighten the Allen screw.

### 4.2.7 Installing the Headrest




1. Use the star handle ⑥ to insert the screw a little into the bracket ⑦.
2. Push the bracket with the screw onto the handle of the backrest ⑤ from behind with the screw engaging in the hole of the backrest's handle.
3. Insert the plate ④ into the bracket from the front so that both lugs of the plate face down and up and the curved plate side touches the handle of the backrest.
4. Push the height adjustment tube ③ from above into the recesses of the bracket.
5. Use the star handle to tighten the screw until the height adjustment tube is fixed in place.
6. Push the pad ① and the pad holder ② into the holder ⑧ on the height adjustment tube.
7. Use the star handle ⑨ to tighten the upper screw until the pad holder is fixed in place.

 To adapt it to the user, the height adjustment tube can be fitted with the curve facing the front or the back.

The headrest pad ① can be removed and replaced by other pad shapes (optional). To remove it, loosen the retaining bolts ①.

### Adjusting the Length of the Headrest

 The headrest tubes ③ and ② can be shortened if required (refer to the service manual). Shortening the headrest tube must be performed by a qualified technician.

### 4.2.8 Installing the Rear Antitippers



#### **WARNING!**

#### **Risk of Tipping**

There is a risk of severe injury on the Ocean Dual VIP Ergo when the backrest is tilted. The complete chair can tilt backwards.

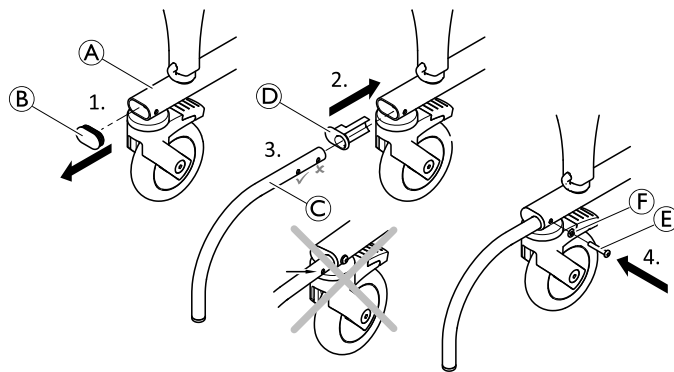
- Before using the Ocean Dual VIP Ergo, make sure that both rear antitippers are installed.



#### **WARNING!**

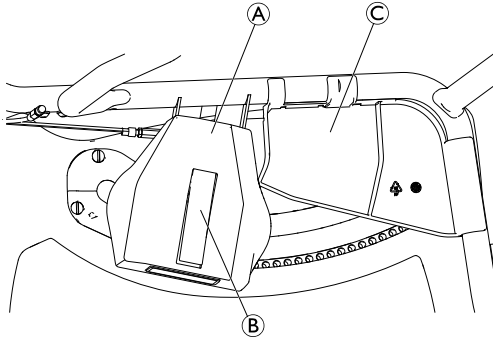
#### **Risk of Injury**

- Never stand on the antitippers.



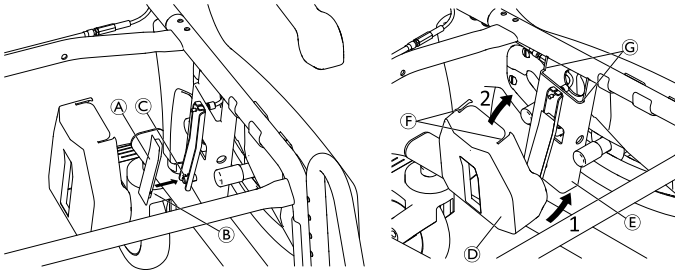
1. Remove the cover cap ② from the base frame ①.
2. Attach the mounting cap ④ to the base frame.
3. Insert the antitipper tube ③.
4. Fix the antitipper through its second hole using the screw ⑤ with the washer ⑥.
5. Install the second antitipper on the other side.

## 4.2.9 Installing/ Removing the Brake Covers/ Clamping Protection Covers



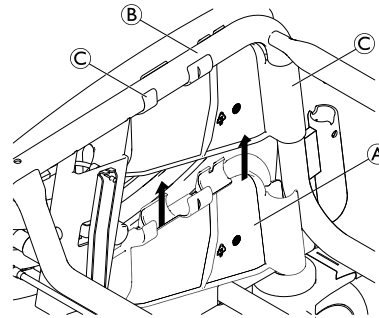
(A)	Brake cover
(B)	Brake lever cover
(C)	Clamping protection cover

### Brake Cover



1. Attach the brake lever cover (A) by pinning up the slot (B) to the small shaft (C).
2. Position the lower part of the brake cover (D) at an angle from below over the brake housing (E).
3. Fold the upper part of the brake cover to the brake housing so that the recesses (F) sit flush with the edges (G).
4. Install the second brake cover on the other side.

### Clamping Protection Cover



1. Install the clamping protection cover (A) by snapping it onto the frame tubes (B). Make sure that all clips (C) are fully engaged.
2. Install the second clamping protection cover on the other side.

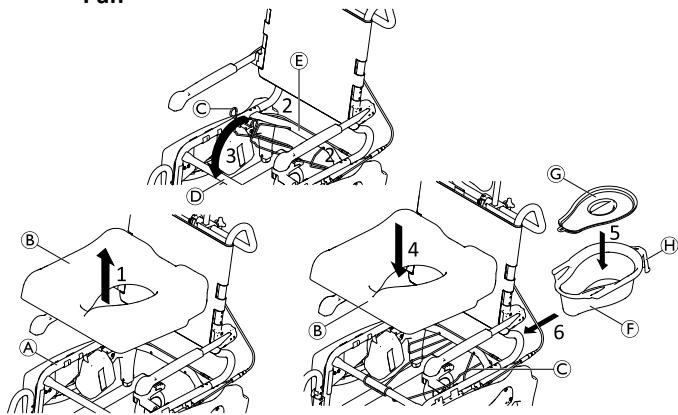
### 4.3 Assembling Accessories and Options




#### **WARNING!** **Risk of injury**

– The assembly of accessories and options must be carried out according to the corresponding instructions.

#### 4.3.1 Installing/Removing the Toilet Pan Holder and Toilet Pan



 The toilet pan (F) can be installed/removed with or without the lid (G).

1. Remove the seat plate (B) from the frame (A).
2. Position the ends of the toilet pan holder (C) into the holes of the rear cross tube (E).
3. Engage the front part of the toilet pan holder with the front cross tube (D).
4. Reinstall the seat plate to the frame.

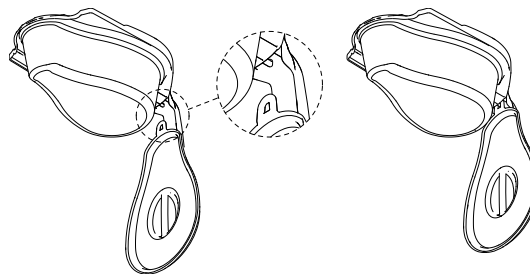
5. Place the lid on or remove it from the toilet pan.
6. Hold the toilet pan by its handle (H) and insert it from the rear side between the toilet pan holder and the seat.



Slightly push down the toilet pan when inserting or removing.



The lid can be hung on the plastic hook at the underside of the toilet pan handle.



## 5 Usage

### 5.1 Safety Information



#### **WARNING!**

- Only use the shower- and toilet chair on a flat surface and indoors.
- Observe the specifications on the identification label. Do not overload the shower- and toilet chair.
- Observe the safety labels on the backside of the headrest and on the handle of the backrest, *2.2 Labels and Symbols on the Product, page 7*.
- Do not place excessive weight on the shower- and toilet chair.
- Always perform a visual inspection of the product for external damage before each use.



#### **WARNING!**

##### **Risk of Slipping and Rolling**

- Before use, make sure that the seat is securely fastened to the seat frame
- Lock all castors with levers using the foot levers before sitting down on the shower- and toilet chair or standing up from it, as well as in the parking position.



#### **WARNING!**

##### **Risk of Tipping**

- Swivel the footrests to the side or fold up the foot plates before sitting down or standing up.
- Before sitting down or standing up, turn the front castors so that the lock is pointing forwards.
- Never stand on the footrests.
- Do not lean excessively forwards.
- Only push the seated user on the shower- and toilet chair when the seat frame and backrest are set to an upright position.
- Only transfer the user from or to the shower- and toilet chair when the seat frame and backrest are set to an upright position.
- Never remove the pneumatic springs (Ocean Dual VIP Ergo only).



#### **WARNING!**

##### **Risk of Injury!**

- Before using the Variable Soft Seat (optional), the lateral covers have to be installed.



#### **WARNING!**

##### **Risk of tipping backwards!**

- The Ocean Dual VIP Ergo must only be used if the rear antitippers are installed.



**WARNING!**

**Risk of Tipping**

- The shower- and toilet chair must only be moved by using the push bar.



**CAUTION!**

**Risk of burning your Skin**

- The product components can heat up when exposed to external sources of heat.
- Consider heated up surfaces when using the shower- and toilet chair in the sauna or when it is exposed to hot water.
  - Do not expose the product to direct sunlight before use.



**CAUTION!**

**Risk of catching due to Tilting Mechanism**

- When tilting the seat frame or the backrest make sure that the user's arms are placed on the armrests or folded in front of the body.
- Make sure that the clamping protection cover is installed to the frame, see 4.2.9 *Installing/ Removing the Brake Covers/ Clamping Protection Covers*, page 19.



**NOTICE!**

**Risk of breaking the Headrest**

- Only steer or push the shower- and toilet chair using the handle on the backrest, never with the headrest.



**NOTICE!**

**Risk of Damage to the Product**

- Do not lift the shower- and toilet chair using the footrests, armrests or any accessories / options.



For users with high risk of standing on the footrests (e.g. dementia), front antitippers (optional) are available to prevent the shower- and toilet chair from tipping forward.

## 5.2 Turning Armrests

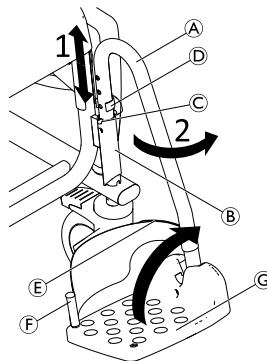


**CAUTION!**

**Risk of Pinching Fingers**

- Do not put fingers between armrest and backrest when folding back the armrests.

## 5.3 Swivelling the Footrests




**Entry Position/Exit Position:**

1. Slightly pull up the footrest **A** in the guide **B** until the pin of the clip **D** no longer engages in the groove **C**.
2. Swivel the footrest to the side.

**Driving Position:****CAUTION!****Risk of Accident due to loose Footrest**


– Fix footrests in the driving position.


1. Turn the footrest **A** inwards.
2. Push the footrest downward, until the pin of clip **D** engages in the groove **C**.

 Alternatively, the foot plates **C** can be swivelled upwards to enter/exit the shower- and toilet chair.

**Replacing the Heel Strap**

1. Open the hook and loop strip **E** on the heel strap.
2. Remove the screw **F** from the underside of the foot plate.
3. Remove the heel strap from the flexible plastic pin.

 To attach the strap, carry out the same procedure in the reverse order.

 When installing ensure that the hook and loop strip of the heel strap is facing backwards.

**5.4 Tilting the Seat Frame with Backrest****NOTICE!**

– Never reach in the area between the side parts and the tubular frame when tilting.

**Tilting Backwards/Forwards**

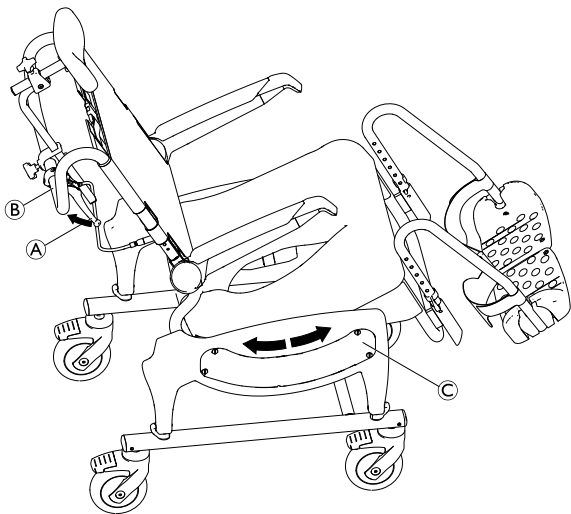
The seat frame can be tilted approx. 40° backwards together with the backrest.



Tilt stoppers (optional) are available to prevent the product from tilting forward to a lower angle than 0°.



For the two lowest seat heights, the complete adjustment range of the footrest can not be used. Before use, check that the footrests do not touch the floor when tilting the seat forwards. If necessary re-adjust the seat height or the footrest height accordingly.



4. Set the required inclination by pushing down or pulling up the handle ②.
5. Release the activation handle and let the pins of the tilting mechanism engage in the nearest holes. The seat frame is set at the currently set inclination.

## 5.5 Tilting the Backrest (Ocean Dual VIP Ergo Only)



### CAUTION!

#### Risk of Getting Fingers Caught Between Armrest Bracket and Side Part

- Never reach into the area between the armrest bracket and the side part when tilting backwards the seat frame or when lowering the backrest.
- When tilting the seat frame or the backrest make sure that the user's arms are placed on the armrests or folded in front of the body.



### CAUTION!

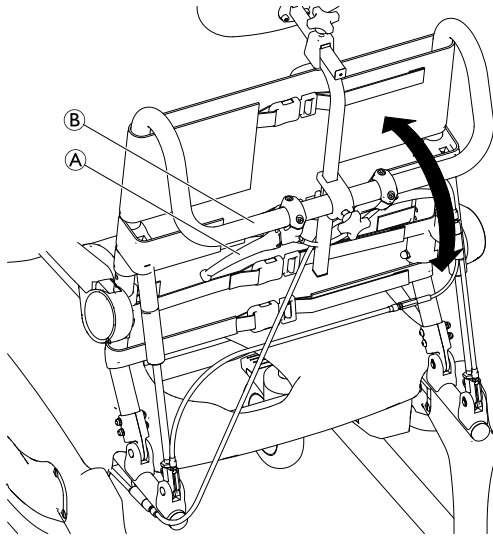
#### Risk of Crushing

Your fingers or hands can get caught and squeezed by the tilting mechanism.

- Before every use, make sure that the side part covers ③ of the tilting mechanism are correctly mounted.

1. Push down all four foot pedals for the castors to lock them.
2. Hold the shower chair at its push bar ②.
3. Pull and hold the activation handle ①.





1. Push down all four foot pedals for the castors to lock them.
  2. Hold the shower chair at its push bar **B**.
  3. Pull and hold the activation handle **A**.
- i** The activation handle is equipped with a locking device. For activating the handle, the locking device has to be pulled in advance.
4. Tilt the backrest to the required position.
  5. Release the activation handle to fix the backrest in the current position.



Increased force is needed for tilting backwards without seated user. Automatic tilting upwards without seated user when activation handle is pulled.

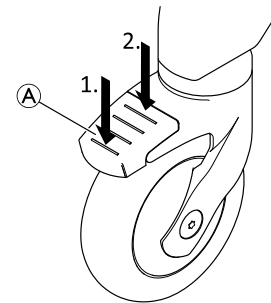
## 5.6 Engaging/Disengaging the Castor Locks



### CAUTION!

#### Risk of Trapping/Squeezing

All castor locks are foot-operated.  
– Do not operate the castor locks by hand.



1. To lock the castor locks step on the rear end of the pedal **A** until it engages.
- i** The castor is now locked in position and cannot swivel any longer.
2. To unlock the castor locks step on the front end of the pedal until it disengages.
- i** Castor with blue pedal (option directional lock) engages the swivel lock for easier straight movement.

## 6 Transport

### 6.1 Safety Information



The product can be dismantled for transport into the parts of the scope of delivery, see chapter 3.2 *Main Parts of the Product*, page 10.

1. Disassemble the product, see chapter 4 *Setup*, page 12 by following the assembly steps in reverse order.



#### **NOTICE!**

##### **Risk of Damage to the Product**

- Transport the product in a dry area.
- Do not expose the product to direct sunlight.
- Refer to the storage and shipping conditions, see chapter 10.3 *Environmental Parameters*, page 34.



#### **NOTICE!**

- Self-locking screws/nuts or thread-locking adhesive are used for several connections. If these are loosened, they must be replaced by new self-locking screws/nuts or they must be secured using new thread-locking adhesive.

## 7 Maintenance

### 7.1 Maintenance and Inspection

The product is maintenance-free, provided the cleaning and safety instructions outlined below are adhered to.

To ensure good performance and safety the following checks should regularly be carried out:

- Check the product and accessories /options regularly for damage. Do not use the product if defective.
- Check tilting function of the seat frame and backrest (Ocean Dual VIP Ergo). Easy tilting and secure locking of the position is mandatory.
- If tilting function to a lower angle than 0° is not possible, remove the tilt stoppers (optional) if needed.
- In case of damage or malfunction it is recommended to contact the provider.
- Ensure that the product is securely assembled incl. all protection covers and that screws are properly tightened.



#### **WARNING!**

##### **Risk of Injury and Damage**

If the product is improperly adjusted it can cause accidents and severe injuries.

- The product must be repaired by a qualified technician.
- Damaged parts have to be replaced by a qualified technician.
- Only use original Invacare spare parts.

## 7.2 Cleaning and Disinfection

### 7.2.1 General Safety Information



#### **CAUTION!**

##### **Risk of Contamination**

- Take precautions for yourself and use appropriate protective equipment.



#### **NOTICE!**

Wrong fluids or methods can harm or damage the product.

- All cleaning agents and disinfectants used must be effective, compatible with one another and must protect the materials they are used to clean.
- Never use corrosive fluids (alkalines, acid etc.) or abrasive cleaning agents. We recommend an ordinary household cleaning agent such as dishwashing liquid, if not specified otherwise in the cleaning instructions.
- Never use a solvent (cellulose thinner, acetone etc.) that changes the structure of the plastic or dissolves the attached labels.
- Always make sure that the product is completely dried before taking it into use again.



For cleaning and disinfection in clinical or long-term care environments, follow your in-house procedures.

## 7.2.2 Cleaning Intervals



### NOTICE!

Regular cleaning and disinfection enhances smooth operation, increases the service life and prevents contamination. Clean and disinfect the product:

- regularly while in use,
- before and after any service procedure,
- when it has been in contact with any body fluids,
- before using it for a new user.

## 7.2.3 Cleaning

The product can be cleaned using commercially available agents.

### Cleaning in a Domestic Environment

1. Remove any accessories /options fitted (only accessories / options which do not require tools).
2. Pull the footrests out of the guides.
3. Remove the seat plate and the backrest cover.
4. Remove the brake covers and clamping protection covers, see chapter 4.2.9 *Installing/ Removing the Brake Covers/ Clamping Protection Covers, page 19*.
5. Wipe down the individual parts using a cloth or brush and commercially available cleaning agents and disinfectants.
6. Rinse the parts with warm water.
7. Dry the parts with a cloth.
8. Reassemble the product, see chapter 4 *Setup, page 12*.

## Cleaning in a Clinical Environment



In addition to cleaning as described above we recommend cleaning the product prior to the use by another patient, after ending of the period of use or on a regular basis (depending on which occurs first) at

- 90 °C for 1 minute
  - 85 °C for 3 minutes
  - 80 °C for 10 minutes
- in the autoclave.



### CAUTION!

#### Risk of burning your Skin

- Allow the product to cool after cleaning in the washing machine or autoclave.

### Cleaning the Backrest Cover

1. Remove the backrest cover.
2. Machine-wash the cover at max. 60 °C using a mild detergent.



### NOTICE!

#### Risk of Damage

- Washing at higher temperatures can cause damage.
- Do not tumble dry.



### NOTICE!

- Excessive cleaning can damage the textile.
- We recommend replacing the backrest cover every two years for hygiene reasons.

### **Cleaning the Toilet Pan (optional)**

The toilet pan can be cleaned in an autoclave at following temperatures/times:

- 90 °C for 1 minute
- 85 °C for 3 minutes
- 80 °C for 10 minutes.

#### **7.2.4 Disinfection Instructions**



Information on recommended disinfectants and methods can be found on <https://vah-online.de/en/for-users>.

#### **In Domestic Care**

Method: Follow the application notes for the used disinfectant and wipe-disinfect all accessible surfaces.

Disinfectant: Ordinary household disinfectant.

Drying: Allow the product to air-dry.

#### **In Clinical and Long Term Care**

Follow your in-house disinfection procedures and only use the disinfectants and methods specified therein.

## 8 After Use

### 8.1 Storage



**WARNING!**

**Risk of Damage to the Product**

- Store the product in a dry area.
- Do not store the product near heat sources.
- Do not expose the product to direct sunlight.
- Refer to the storage and shipping conditions in chapter *10.3 Environmental Parameters, page 34*.



After long time storage, a higher force may be needed to trigger the gas spring (Ocean Dual VIP Ergo only).

### 8.2 Reconditioning

This product is suitable for reuse. To recondition the product for a new user, carry out the following actions:

- Inspection
- Cleaning and disinfection

For detailed information, see *7 Maintenance, page 27* and the service manual for this product.

Make sure that the user manual is handed over with the product.

If any damage or malfunction is detected, do not reuse the product.

### 8.3 Disposal

Be environmentally responsible and recycle this product through your recycling facility at its end of life.

Disassemble the product and its components, so the different materials can be separated and recycled individually.

The disposal and recycling of used products and packaging must comply with the laws and regulations for waste handling in each country. Contact your local waste management company for information.

## 9 Troubleshooting

### 9.1 Identifying and Repairing Faults

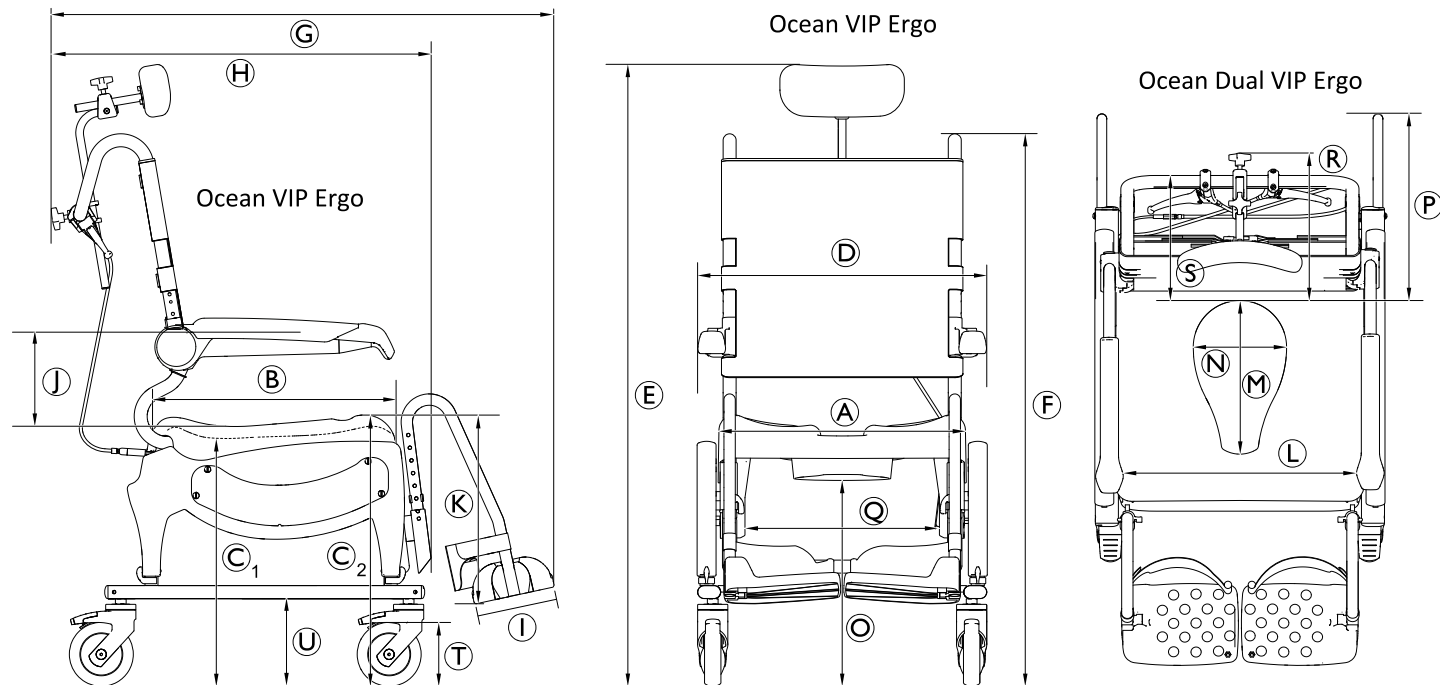


The following table provides information on malfunctions and their possible causes. If you cannot correct the malfunction using the solutions named, contact your provider directly.

Malfunction	Possible Cause	Solution
Difficulty in adjusting the seat height	Dirt between the seat frame and the side part	Disassemble the base frame and clean base frame and side part thoroughly
The castors are difficult or impossible to turn	Dirt between the fork and the rim	Thoroughly clean the castors
Difficulty pushing the footrests to the side	Deposits in the guides	Thoroughly clean the footrests and the guides
The seat frame with backrest cannot be tilted	Deposits in tilting mechanism	Remove brake cover and brake lever cover and thoroughly clean the tilting mechanism
	Bowden cable not correctly adjusted	The Bowden cable must be adjusted by a qualified technician
Higher force needed to trigger the gas spring (Dual VIP)	Long-time storage	Repeat the tilting of the backrest several times
The backrest cannot be tilted (Dual VIP)	Bowden cable not correctly adjusted	The Bowden cable must be adjusted by a qualified technician
Rattling noise during tilting of the seat frame with backrest.	Bowden cable not correctly adjusted	The Bowden cable must be adjusted by a qualified technician
	The activation handle is not pulled completely	Pull the activation handle completely.

## 10 Technical Data

### 10.1 Dimensions and Weight



	Ocean VIP Ergo	Ocean VIP Ergo XL*	Ocean Dual VIP Ergo
(A)		480 mm	
(B)		480 mm	



	Ocean VIP Ergo	Ocean VIP Ergo XL*	Ocean Dual VIP Ergo
© <sub>1</sub>	475 mm – 600 mm		
© <sub>2</sub>	533 mm – 658 mm		
©	565 mm	645 mm	565 mm
©	ca. 1052 mm – 1340 mm (in neutral seat position)		
©	ca. 1052 mm – 1202 mm (in neutral seat position)		
©	ca. 1000 mm Tilted: ca. 1520 mm Tilted and backrest reclined (Ocean Dual VIP only): ca. 1700 mm		
©	ca. 742 mm		
©	160 mm		
©	213 mm / 251 mm / 289 mm		
©	319 mm – 469 mm (in steps of 25 mm)		
©	475 mm	535 mm	475 mm
©	350 mm (top) / 300 mm (bottom)		
©	250 mm (top) / 182 mm (bottom)		
©	400 mm – 525 mm		
©	—	—	380 mm
©	385 mm		
©	295 mm		—
©	230 mm		—
©	Æ 5" (127 mm)		

	Ocean VIP Ergo	Ocean VIP Ergo XL*	Ocean Dual VIP Ergo
Ⓢ	172 mm		
Angle of inclination seat	-5° – 40°		
Angle of inclination backrest	—	—	5° – 35°
Turning diameter	2200 mm		
Reversing width	1140 mm		1290 mm
Product weight	23.5 kg		28.3 kg
Maximum user weight	150 kg		

\* XL-armrests are optionally available.

## 10.2 Materials

Frame	Stainless steel, powder-coated
Seat plate	Polypropylene, fiber-glass reinforced
Backrest cover	Nylon, PVC-coated
Footrests	Polypropylene, fiber-glass reinforced
Armrest	Polyamid, fiber-glass reinforced
Castors	Plastics and stainless steel

All product components are corrosion resistant and do not contain natural rubber latex.

## 10.3 Environmental Parameters

Operating Conditions	
Ambient temperature	10 - 65 °C
Relative humidity	15 % - 93 %, non-condensing
Atmospheric pressure	795 - 1060 hPa
Storage and Shipping Conditions	
Ambient temperature	0 - 65 °C
Relative humidity	30 % - 75 %, non-condensing
Atmospheric pressure	795 - 1060 hPa

---

# Inhaltsverzeichnis

---

Diese Gebrauchsanweisung MUSS dem Benutzer des Produkts ausgehändigt werden. VOR der Verwendung dieses Produkts MUSS die Gebrauchsanweisung gelesen werden. Bewahren Sie sie auf, um später darin nachschlagen zu können.

<b>1 Allgemein</b>	<b>36</b>
1.1 Einleitung	36
1.2 Symbole in diesem Dokument	36
1.3 Garantieinformationen	37
1.4 Konformität	37
1.4.1 Produktspezifische Normen	37
1.5 Nutzungsdauer	37
<b>2 Sicherheit</b>	<b>39</b>
2.1 Sicherheitsinformationen	39
2.2 Etiketten und Symbole am Produkt	40
<b>3 Produktübersicht</b>	<b>43</b>
3.1 Verwendungszweck	43
3.2 Hauptkomponenten des Produkts	43
<b>4 Inbetriebnahme</b>	<b>46</b>
4.1 Sicherheitsinformationen	46
4.2 Montage des Dusch- und Toilettenstuhls	46
4.2.1 Einstellen der Sitzhöhe	46
4.2.2 Installieren der Rückenlehne	47
4.2.3 Anbringen des Aktivierungsgriiffs	48
4.2.4 Anbringen und Entfernen der Sitzplatte	49
4.2.5 Einstellungen der Armlehnenhöhe	49
4.2.6 Anbringen der Fußauflagen	51
4.2.7 Anbringen der Kopfstütze	52
4.2.8 Montage des Kippschutzes an der Rückseite	52
4.2.9 Anbringen/Abnehmen der Abdeckungen von Bremsen und Klemmschutz	53

4.3 Montage von Zubehörteilen und Optionen	54
4.3.1 Montage/Entfernen der Toilettentopfhalterung und des Toilettentopfs	54
<b>5 Verwenden</b>	<b>56</b>
5.1 Sicherheitsinformationen	56
5.2 Armlehnen hochklappen	57
5.3 Drehen der Fußauflagen	58
5.4 Verstellung des Sitzrahmens samt der Rückenlehne	58
5.5 Verstellung der Rückenlehne (nur Ocean Dual VIP Ergo)	60
5.6 Arretieren/Entsperren der Schwenkrollenverriegelungen	61
<b>6 Transport</b>	<b>62</b>
6.1 Sicherheitsinformationen	62
<b>7 Instandhaltung</b>	<b>63</b>
7.1 Wartung und Inspektion	63
7.2 Reinigung und Desinfektion	63
7.2.1 Allgemeine Sicherheitsinformationen	63
7.2.2 Reinigungsintervalle	64
7.2.3 Reinigung	64
7.2.4 Desinfektionsanweisungen	65
<b>8 Nach dem Gebrauch</b>	<b>66</b>
8.1 Aufbewahrung	66
8.2 Wiederaufbereitung	66
8.3 Entsorgung	66
<b>9 Problembehandlung</b>	<b>67</b>
9.1 Erkennen und Beheben von Mängeln	67
<b>10 Technische Daten</b>	<b>69</b>
10.1 Abmessungen und Gewicht	69
10.2 Materialien	71
10.3 Umgebungsbedingungen	71

# 1 Allgemein

## 1.1 Einleitung

Diese Gebrauchsanweisung enthält wichtige Informationen zur Handhabung des Produkts. Lesen Sie die Gebrauchsanweisung sorgfältig durch und befolgen Sie die Sicherheitsanweisungen, damit eine sichere Verwendung des Produkts gewährleistet ist.

Verwenden Sie dieses Produkt erst, nachdem Sie dieses Handbuch gelesen und verstanden haben. Wenden Sie sich außerdem an qualifiziertes Pflegepersonal, das mit Ihrem gesundheitlichen Zustand vertraut ist, und klären Sie mit dem Pflegepersonal alle Fragen rund um die korrekte Verwendung und die erforderliche Anpassung.

Beachten Sie, dass dieses Dokument Abschnitte enthalten kann, die für Ihr Produkt nicht von Bedeutung sind, da dieses Dokument sämtliche zum Zeitpunkt der Drucklegung verfügbaren Modelle abdeckt. Sofern nicht anders angegeben, bezieht sich jeder Abschnitt dieses Dokuments auf alle Modelle des Produkts.

In den länderspezifischen Vertriebsdokumenten sind alle in Ihrem Land verfügbaren Modelle und Konfigurationen aufgeführt.

Invacare behält sich das Recht vor, Produktspezifikationen ohne vorherige Ankündigung abzuändern.

Vergewissern Sie sich vor dem Lesen dieses Dokuments, dass Sie die aktuelle Fassung haben. Die jeweils aktuelle Fassung können Sie als PDF-Datei von der Invacare-Website herunterladen.

Wenn die gedruckte Ausführung des Dokuments für Sie aufgrund der Schriftgröße schwer zu lesen ist, können Sie die entsprechende PDF-Version von der Invacare-Website herunterladen. Sie können das PDF-Dokument dann auf dem Bildschirm so anzeigen, dass die Schriftgröße für Sie angenehmer ist.

Weitere Informationen zum Produkt, z. B. Informationen zu Produktsicherheitshinweisen oder zu einem Produktrückruf, erhalten Sie von Ihrem Invacare-Distributor. Die entsprechenden Adressen finden Sie am Ende dieses Dokuments.

Bei einem ernsthaften Vorfall mit dem Produkt informieren Sie bitte den Hersteller und die zuständige Behörde in Ihrem Land.

## 1.2 Symbole in diesem Dokument

In diesem Dokument werden Symbole und Signalwörter verwendet, um auf Gefahren oder unsichere Praktiken hinzuweisen, die zu Verletzungen oder Sachschäden führen können. Die Definitionen der verwendeten Signalwörter finden Sie in der nachstehenden Tabelle.



### WARNUNG

Weist auf eine gefährliche Situation hin, die bei Nichtbeachtung zu schweren Verletzungen oder zum Tod führen kann.



### VORSICHT

Weist auf eine gefährliche Situation hin, die bei Nichtbeachtung zu leichten Verletzungen führen kann.

**!** HINWEIS  
Weist auf eine gefährliche Situation hin, die bei Nichtbeachtung zu Sachschäden führen kann.

**i** Tipps und Empfehlungen  
Enthalten nützliche Tipps, Empfehlungen und Anleitungen für eine effiziente und problemlose Verwendung.

### Sonstige Symbole

(Nicht für alle Handbücher anwendbar)



Verantwortliche Person im Vereinigten Königreich  
Pflichtangabe, wenn das Produkt nicht im Vereinigten Königreich hergestellt wurde.



Triman  
Hinweis auf Recycling- und Sortiervorschriften (nur für Frankreich relevant).

## 1.3 Garantieinformationen

Wir gewähren für das Produkt eine Herstellergarantie gemäß unseren Allgemeinen Geschäftsbedingungen für das entsprechende Land.

Garantieansprüche können nur über den Händler geltend gemacht werden, von dem das Produkt bezogen wurde.

## 1.4 Konformität

Qualität ist für das Unternehmen entscheidend. Alle Abläufe sind an den Anforderungen von ISO 13485 ausgerichtet.

Dieses Produkt trägt die CE-Kennzeichnung in Übereinstimmung mit der Verordnung über Medizinprodukte (2017/745, Klasse I).

Dieses Produkt trägt die UKCA-Kennzeichnung in Übereinstimmung mit Teil II UK MDR 2002 (in der jeweils gültigen Fassung) Klasse I.

Wir setzen uns kontinuierlich dafür ein, die Umwelt durch unsere Unternehmenstätigkeit sowohl direkt vor Ort als auch weltweit möglichst wenig zu beeinträchtigen.

Wir verwenden ausschließlich REACH-konforme Materialien und Bauteile.

### 1.4.1 Produktspezifische Normen

Dieses Produkt wurde getestet und entspricht der Norm ISO 17966 (Hilfsmittel für die Körperhygiene zur Unterstützung der Anwender) und allen einschlägigen Normen. Dies schließt Tests auf Entflammbarkeit ein. Fortschreitender Schwelbrand und Flammen sind nicht aufgetreten.

Weitere Informationen zu lokalen Normen und Vorschriften erhalten Sie bei Ihrem Invacare-Vertreter vor Ort. Die entsprechenden Adressen finden Sie am Ende dieses Dokuments.

## 1.5 Nutzungsdauer

Die Nutzungsdauer dieses Produkts beträgt fünf Jahre, vorausgesetzt, es wird täglich und in Übereinstimmung mit den in dieser Gebrauchsanweisung aufgeführten Sicherheitshinweisen, Wartungsintervallen und korrekten

Verfahrensweisen verwendet. Die tatsächliche Haltbarkeitsdauer kann abhängig von Häufigkeit und Intensität der Verwendung variieren.

## 2 Sicherheit

### 2.1 Sicherheitsinformationen



**WARNUNG!**  
**Gefahr von schweren Verletzungen oder  
 Sachschäden**

- Die unsachgemäße Verwendung dieses Produkts kann zu Verletzungen oder Sachschäden führen.
- Falls Ihnen die Warnungen, Sicherheitshinweise und Anweisungen unverständlich sind, wenden Sie sich an einen Arzt oder den Anbieter, bevor Sie das Produkt verwenden.
  - Verwenden Sie dieses Produkt oder optionales Zubehör erst, nachdem Sie diese Anweisungen und mögliches zusätzliches Anweisungsmaterial – wie die zum Produkt oder optionalen Zubehör gehörende(n) Gebrauchsanweisung, Servicehandbücher oder Merkblätter – vollständig gelesen und verstanden haben.



**WARNUNG!**  
**Verletzungsgefahr**

- Das Produkt vor jeder Verwendung auf Schäden überprüfen und sicherstellen, dass es ordnungsgemäß zusammengebaut ist.
- Das Produkt vor der ersten Verwendung gründlich reinigen.



**WARNUNG!**  
**Verletzungsgefahr**

- Die unsachgemäße Verwendung dieses Produkts kann zu Verletzungen oder Sachschäden führen.
- Defekte Produkte nicht verwenden.
  - Wenden Sie sich bei einer Fehlfunktion sofort an Ihren Anbieter.
  - Keine unbefugten Veränderungen am Produkt vornehmen.
  - Nur Zubehörteile/Optionen verwenden, die für dieses Produkt bestimmt ist.



**WARNUNG!**  
**Verletzungsgefahr**

- Die unsachgemäße Verwendung dieses Produkts kann zu Verletzungen oder Sachschäden führen.
- Das Produkt unter Belastung nicht anheben.
  - Nicht auf das Produkt stellen.



### **VORSICHT!**

#### **Verletzungsgefahr**

Teile, die nicht in Original-Qualität vorliegen, oder falsche Teile können die Funktion und Sicherheit des Produkts beeinträchtigen.

- Für das verwendete Produkt ausschließlich Originalteile verwenden.
- Aufgrund regionaler Unterschiede ziehen Sie bei der Suche nach erhältlichen Optionen den Invacare-Katalog oder die Invacare-Website für Ihr Land zu Rate, oder wenden Sie sich an Ihren Invacare-Händler vor Ort. Die entsprechenden Adressen finden Sie am Ende dieses Dokuments.



### **HINWEIS!**

Wird dieses Produkt mit einem anderen Produkt kombiniert, so treffen die einzelnen Einschränkungen der beiden Produkte auf diese Kombination zu. So kann beispielsweise eines der Produkte in einer Kombination ein geringeres maximal zulässiges Benutzergewicht aufweisen als das andere.

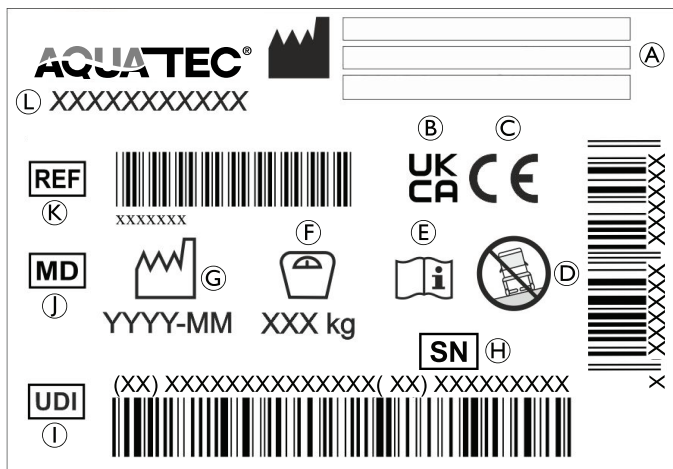
- Verwenden Sie ausschließlich von Invacare zugelassene Kombinationen. Weitere Informationen erhalten Sie von Ihrem Invacare-Distributor.
- Lesen Sie vor Verwendung die Gebrauchsanweisung jedes einzelnen Produkts, und machen Sie sich mit den Einschränkungen vertraut. Die uneingeschränkte Beachtung der Informationen, Anweisungen und Empfehlungen in beiden Gebrauchsanweisungen ist für einen sicheren Gebrauch unerlässlich.

## **2.2 Etiketten und Symbole am Produkt**

### **Typenschild**

Das Typenschild enthält wichtige Informationen:





(A)	Adresse des Herstellers
(B)	UKCA-Kennzeichnung
(C)	CE-Kennzeichnung
(D)	Das Produkt nur auf ebenem Untergrund verwenden.
(E)	Gebrauchsanweisung lesen
(F)	Maximales Benutzergewicht
(G)	Herstellungsdatum
(H)	Seriennummer
(I)	Produktidentifizierungsnummer

(J)	Medizinprodukt
(K)	Referenznummer
(L)	Produktbezeichnung



Das Typenschild ist an der Innenseite des linken Seitenteils angebracht.


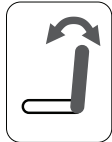
### Etiketten am Produkt

Folgendes Etikett ist hinten an der Kopfstütze angebracht:	
Etikett	Beschreibung
	<p><b>VORSICHT!</b></p> <p>Stoßgefahr</p> <p>Beim Ziehen des Aktivierungsgriffs besteht die Gefahr, sich den Körper an der Rückenlehne bzw. der Kopfstütze zu stoßen.</p> <p>– Achten Sie auf genügend Abstand zwischen sich und der Rückenlehne bzw. der Kopfstütze, wenn Sie den Sitzrahmen mitsamt der Rückenlehne neigen.</p>

Das folgende Etikett ist am Griff der Rückenlehne angebracht:

Etikett	Beschreibung
	<p><b>WARNHINWEIS!</b></p> <p>Kippgefahr</p> <ul style="list-style-type: none"> <li>– Beim Umsetzen in oder aus dem Dusch- und Toilettenstuhl nicht auf die Fußstütze treten.</li> <li>– Vor dem Umsetzen in oder aus dem Dusch- und Toilettenstuhl die Fußstützen zur Seite schieben oder die Fußplatten nach oben klappen.</li> <li>– Vor dem Hinsetzen oder Aufstehen die Schwenkrollen so drehen, dass die Sperrvorrichtung nach vorne weist.</li> <li>– Beim Sitzen im Dusch- und Toilettenstuhl nicht zu weit nach vorne lehnen.</li> </ul>

Folgende Etiketten sind an den Aktivierungsgriffen angebracht:

Etikett	Beschreibung
	<p>Aktivierungsgriff zum Neigen des Sitzes</p>
	<p>Aktivierungsgriff zum ausschließlichen Neigen der Rückenlehne</p>

## 3 Produktübersicht

### 3.1 Verwendungszweck

Bei Aquatec Ocean VIP Ergo und Aquatec Ocean Dual VIP Ergo handelt es sich um mobile Dusch- und Toilettenstühle mit Sitzwinkelverstellung, Edelstahlrahmen, individuell einstellbarer Sitzhöhe, Rückenlehne mit einstellbarer Spannung, hochklappbaren Armlehnen und einklappbaren winkeleinstellbaren strukturierten Fußplatten. Das Produkt ist auch mit einer zusätzlichen neigbaren Rückenlehne erhältlich.

Diese mobilen Dusch- und Toilettenstühle dienen der Unterstützung von Aktivitäten der Körperpflege mit oder ohne Unterstützung im institutionellen wie im häuslichen Umfeld.

Verwendungstemperatur (nur in Innenräumen): 10 – 65 °C

#### Vorgesehener Benutzerkreis

Der vorgesehene Benutzer ist die Person, die im Dusch- und Toilettenstuhl sitzt, oder eine Begleitperson. Das Produkt kann von Jugendlichen und Erwachsenen mit einer Körpergröße von mindestens 146 cm, einem Gewicht von mindestens 40 kg und einem Body Mass Index (BMI) von mindestens 16 genutzt werden.

Angaben zum maximal zulässigen Benutzergewicht für das Produkt finden Sie im Abschnitt *10 Technische Daten, Seite 69*.

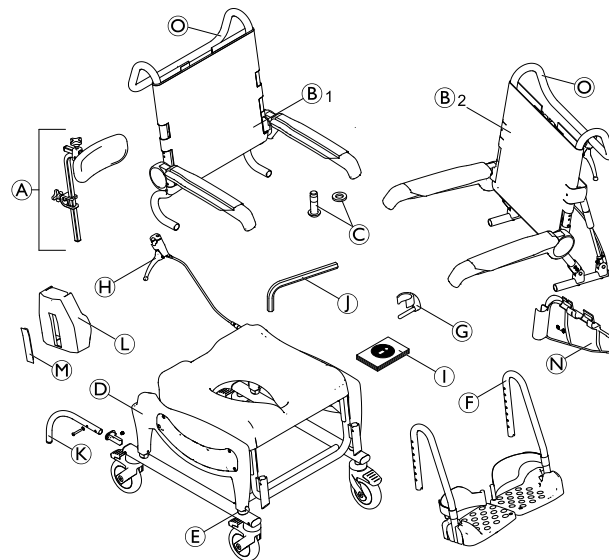
#### Indikationen

- Schwierigkeiten beim Stehen und Halten des Gleichgewichts

- Beinschwäche oder Behinderungen der unteren Gliedmaßen
- Erkrankungen, die den Gleichgewichtssinn beeinträchtigen

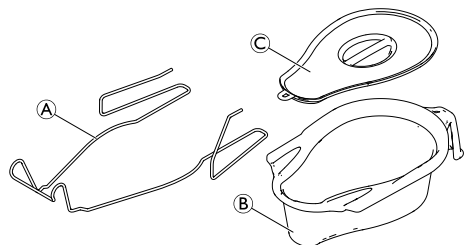
Bei bestimmungsgemäßem Gebrauch dieses Produkts sind keine Gegenanzeigen bekannt.

### 3.2 Hauptkomponenten des Produkts



Ⓐ	Kopfstütze
Ⓑ <sub>1</sub>	<b>Ocean VIP Ergo:</b> Rückenlehne mit Rückenlehnenbezug und Armlehnen
Ⓑ <sub>2</sub>	<b>Ocean Dual VIP Ergo:</b> Rückenlehne mit Rückenlehnenbezug, Armlehnen und Aktivierungsgriff zum Verstellen der Rückenlehne
Ⓒ	Schrauben (4x) und Unterlegscheiben (4 x) zur Befestigung der Rückenlehne
Ⓓ	Sitzrahmen mit Sitzplatte und Seitenteile mit Grundrahmen und Schwenkrädern
Ⓔ	Clips zur Höhenverstellung (4x)
Ⓕ	Fußstützen mit Fersenbändern (2x)
Ⓖ	Clips für Fußstützen (2x)
Ⓗ	Aktivierungsgriff zum Neigen des Sitzes
Ⓘ	Gebrauchsanweisung
Ⓙ	Inbusschlüssel
Ⓚ	Anit-Kipp-Vorrichtung an der Rückseite mit Schraube, Unterlegscheibe und Montagekappe (2 x) (nur beim Ocean Dual VIP Ergo)
Ⓛ	Bremsabdeckung (2x)
Ⓜ	Bremshebelabdeckung (2x)

Ⓝ	Klemmschutzabdeckung (2x)
Ⓞ	Schiebestange

**Toilettentopfhalterung mit Toilettentopf (optional)**

(A)	Toilettentopfhalterung
(B)	Toilettentopf
(C)	Deckel

## 4 Inbetriebnahme

### 4.1 Sicherheitsinformationen



#### WARNUNG!

- Überprüfen Sie die Teile vor Inbetriebnahme auf Transportschäden und wenden Sie sich im Bedarfsfall an Ihren Anbieter.
- Achten Sie bei der Montage darauf, dass die Teile korrekt aufeinander ausgerichtet sind.
- Bei diversen Verbindungen kommen selbstsichernde Schrauben/Muttern oder Schraubensicherungslack zum Einsatz. Wenn diese gelöst werden, müssen sie durch neue selbstsichernde Schrauben/Muttern ersetzt bzw. mit neuem Schraubensicherungslack gesichert werden.



#### VORSICHT!

#### Einklemmgefahr

- Vorsicht bei der Montage.

### 4.2 Montage des Dusch- und Toilettenstuhls

In diesem Abschnitt wird die Montage beschrieben. Die Demontage erfolgt in umgekehrter Reihenfolge.



Die Höhe der Armlehne und der Fußstütze, der Winkel der Fußstütze, die Kopfstütze, das Fersenband, die Spannung des Rückenlehnenbezugs und die Zubehörteile/Optionen müssen optimal für den jeweiligen Anwender eingestellt werden.

#### 4.2.1 Einstellen der Sitzhöhe

In diesem Abschnitt wird die Montage beschrieben. Die Demontage erfolgt in umgekehrter Reihenfolge.

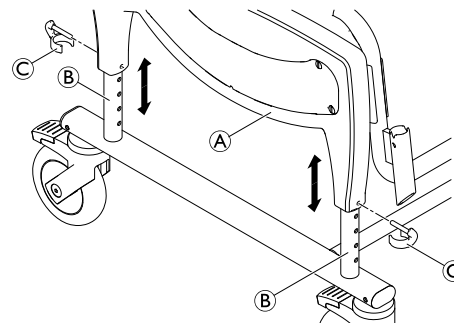


#### WARNUNG!

- Stellen Sie die Sitzhöhe des Dusch- und Toilettenstuhls nicht ein, während eine Person darauf sitzt.



Die Sitzhöhe muss an beiden Seiten gleichzeitig eingestellt werden.



1. Heben Sie den Dusch- und Toilettenstuhl am Seitenteil **A** leicht an.
2. Entfernen Sie die vier Clips **C** (zwei an jeder Seite).
3. Stellen Sie die gewünschte Höhe ein, indem Sie den Sitzrahmen an den vier Rohren **B** des Grundrahmens gleichzeitig nach oben oder unten verschieben.

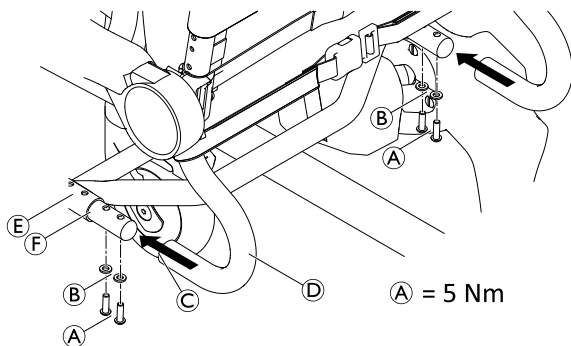
4. Richten Sie die Löcher zur Clipbefestigung am Seitenteil mit einem der Löcher im Grundrahmen aus.
5. Schieben Sie die vier Clips von außen in das Seitenteil ein, bis der Clip das Rohr des Grundrahmens ⑥ komplett umschließt.

**WARNUNG!****Verletzungsgefahr**

- Überprüfen Sie, dass alle vier Clips sicher angebracht sind.
- Die vier Rohre müssen auf die gleiche Höhe eingestellt sein.



Die Sitzhöhe kann je nach Bedarf verschieden eingestellt werden, um den Benutzer beispielsweise von einem Bett oder Rollstuhl aus umzusetzen oder den oben genannten Toilettensitz zu verwenden.

**4.2.2 Installieren der Rückenlehne**

1. Bewegen Sie die Fußhebel alle vier Schwenkrollen nach unten, um sie zu verriegeln.
2. Drücken Sie die Rückenlehne ④ von hinten auf den Sitzrahmen ⑤, bis der Abschluss ③ das Sitzrahmenrohr ⑥ berührt.

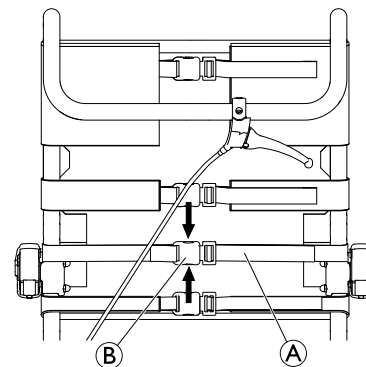
**HINWEIS!**

- Ziehen Sie die Schrauben mit dem im Lieferumfang enthaltenen Inbusschlüssel fest.
- Kontrollieren Sie regelmäßig, ob die Schrauben fest angezogen sind.

3. Setzen Sie eine Unterlegscheibe ⑦ auf jede Schraube ① und arretieren Sie die Rückenlehne auf jeder Seite.
4. Ziehen Sie die Schrauben mit einem Drehmoment von 5 Nm fest.

**Anpassen des Rückenlehnenbezugs**

Die Spannung der Rückenlehne lässt sich nach Bedarf einstellen.





### WARNUNG!

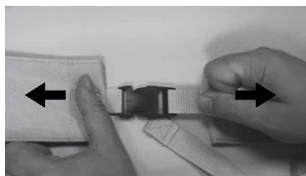
- Achten Sie darauf, dass stets mindestens drei Gurte (von außen) um den Rückenlehnenrahmen geführt werden und die Gurtverschlüsse fixiert sind.

Straffen:

1. Ziehen Sie die Gurte (A) des Rückenlehnenbezugs straffer.

Lockern:

1. Öffnen Sie die Gurtverschlüsse (B), indem Sie die Haltetaschen zusammendrücken (Pfeile).
2. Schieben Sie die Gurte ein Stück durch den Gurtverschluss zurück.
3. Fixieren Sie die Gurtverschlüsse.
4. Ziehen Sie die Gurte vorsichtig wieder fest.

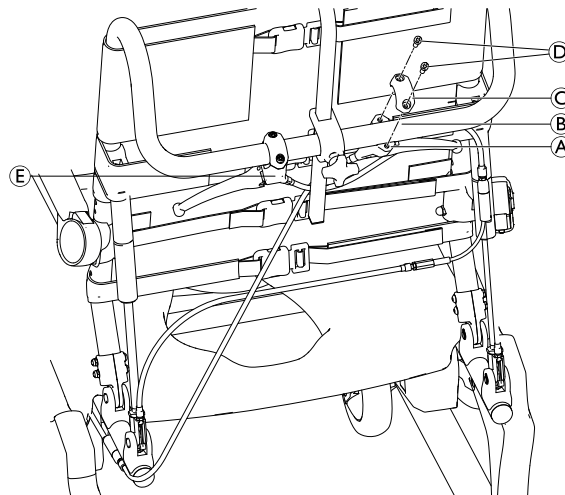


### WARNUNG!

#### Verletzungsgefahr durch beschädigte Rückenlehngurtverschlüsse!


- Achten Sie bei jeder Überprüfung oder Wiederaufbereitung des Produkts auf den festen Sitz der Rückenlehngurtverschlüsse.
- Kontrollieren Sie alle Gurtverschlüsse auf festen Sitz, indem Sie die Gurtverschlüsse schließen und an beiden Enden ziehen.
  - Ersetzen Sie den Rückenlehnenbezug bzw. die Gurtverschlüsse, wenn sich ein Gurtverschluss unter der angewandten Kraft öffnet.

#### 4.2.3 Anbringen des Aktivierungsgriffs






1. Lösen Sie an der Klemme © am Aktivierungsgriff ① die Schrauben ② und nehmen Sie die Klemme ab.
2. Platzieren Sie den Aktivierungsgriff ① zum Neigen des Sitzes unter dem Griffrohr ③ auf dessen rechter Seite.

 Der Griff sollte leicht nach innen in Richtung der Rückenlehne zeigen.

3. Befestigen Sie den Aktivierungsgriff mit der Klemme © und den Schrauben ② am Griffrohr.

 Beim Ocean Dual VIP Ergo ist der Aktivierungsgriff ① zum Neigen der Rückenlehne bereits auf der linken Seite des Griffrohrs montiert. Die Position des Aktivierungsgriffs kann bei Bedarf geändert werden.

#### 4.2.4 Anbringen und Entfernen der Sitzplatte

##### Anbringen


1. Setzen Sie die Sitzplatte mit dem Einschnitt nach vorne auf den Sitzrahmen.
2. Drücken Sie die Sitzplatte mit der flachen Hand zunächst an den Seiten, dann vorne und hinten nach unten, bis sie im Sitzrahmen einrastet.

##### Entfernen

1. Ziehen Sie die Sitzplatte an der Rückseite nach oben.

#### 4.2.5 Einstellungen der Armlehnenhöhe

1. Öffnen Sie den Gurtverschluss des Rückenlehnenbezugs, der an der Innenseite des Rückenlehnenrahmens vorbeigeführt wird.
2. Öffnen Sie den Gurtverschluss am Rückenlehnenbezug; dieses befindet sich oberhalb der Armlehne.

 Bei der Anpassung in eine niedrigere Position muss der Gurt unter der Armlehne geöffnet werden.

3. Führen Sie diesen Gurt an der Innenseite des Rückenlehnenrahmens vorbei und schließen Sie ihn wieder.
- 4.

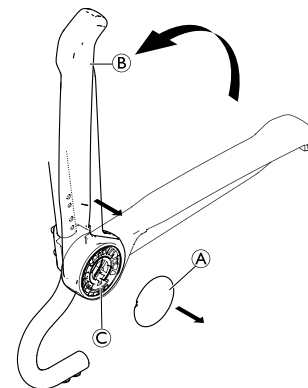


Fig. 4-1

Entfernen Sie die Kappe ①.

5. Klappen Sie die Armlehne ② hoch, um sie von der Armlehnenhalterung ③ abzuziehen.

6.

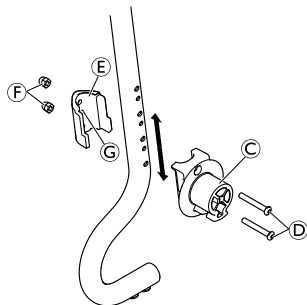




Fig. 4-2

Entfernen Sie die Schrauben ④ aus der Armlehnenhalterung ③ mit dem mitgelieferten Inbusschlüssel.

7. Entfernen Sie die Sicherungsklemme ⑤ mit den Muttern ⑥ an der Innenseite des Rückenlehnenrahmens.

 Die Muttern sind lose in die Sicherungsklemme eingesetzt und können herausfallen.

8. Um die Armlehnenhalterung und die Sicherungsklemme wieder an der gewünschten Position anzubringen, setzen Sie die Schrauben ④ in die Armlehnenhalterung ein und führen Sie sie durch die gewünschten Löcher im Rückenlehnenrahmen.

 Die kleineren Löcher auf der Innenseite des Rückenlehnenrahmens fixieren die Sicherungsklemme.

9. Setzen Sie die Sicherungsklemme so ein, dass die Fixierung ⑦ der Sicherungsklemme in die kleinere Bohrung einrastet.

10. Ziehen Sie die Schrauben ④ mit 5 bis 6 Nm und die Muttern ⑥ an.

11.

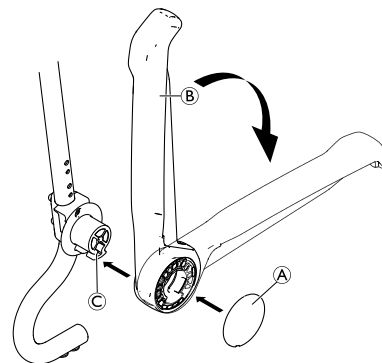


Fig. 4-3


Montieren Sie die Armlehne ② wieder an der Montagehalterung ③.

12. Klappen Sie die Armlehne nach unten.

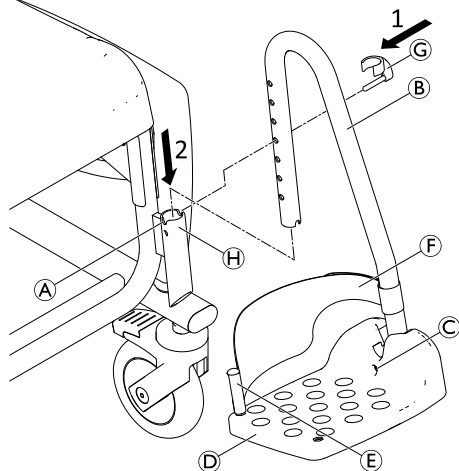
13. Bringen Sie die Kappe ① wieder an.

14. Führen Sie den offenen Gurt des Rückenlehnenbezugs außen am Rückenlehnenrahmen vorbei, schließen Sie die Gurtverschlüsse, und spannen Sie alle Gurte.


15. Rechte und linke Armlehne werden auf dieselbe Weise verstellt.

 Für die Anbringung von Zubehör/Optionen lässt sich der dritte Gurt von oben öffnen, so dass der Rückenlehnenbezug von innen durch den Rückenlehnenrahmen geführt werden kann.

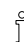
## 4.2.6 Anbringen der Fußauflagen



1. Setzen Sie den Stift des Clips ③ von außen in die vorgesehenen Löcher an der Fußauflage ② ein. Achten Sie darauf, dass der Clip das Rohr umschließt.
2. Schieben Sie die Fußauflage in die Führung ④ vorne am Seitenteil ein, bis der Stift des Clips ③ in die Aussparung ① eingreift. Die Fußauflage lässt sich nun nicht mehr zur Seite drehen.

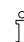
 Der Montagevorgang ist für die rechte und linke Fußauflage identisch.

## Einstellen der Fußauflagenhöhe

 Die Fußauflagen können ggf. gekürzt werden (siehe Servicehandbuch). Die Kürzung der Fußauflagen darf nur von einem qualifizierten Techniker vorgenommen werden.

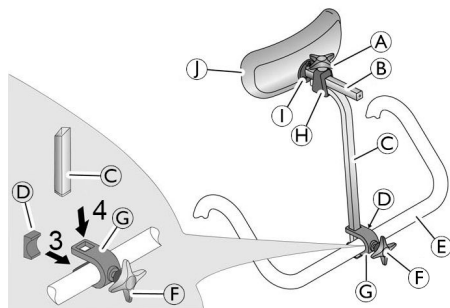
1. Ziehen Sie die Fußauflage ② leicht nach oben.
2. Ziehen Sie den Clip ③ aus dem Loch in der Fußauflage und setzen Sie sie in das entsprechende Loch ein. Ziehen Sie die Fußauflage bei Bedarf ein Stück weiter heraus.
3. Schieben Sie die Fußauflage nach unten, bis der Stift am Clip in die Aussparung ① eingreift.
4. Stellen Sie die andere Fußauflage wie beschrieben auf die erforderliche Höhe ein.

## Einstellen der Fußplattenneigung


 Die Neigung der Fußplatten ist unbegrenzt stufenlos verstellbar.

1. Lösen Sie mit einem 4-mm-Inbusschlüssel die Inbusschraube ③ an der Fußplatte.
2. Drehen Sie die Fußplatte ④ in die erforderliche Position.
3. Ziehen Sie die Inbusschraube wieder fest.

## 4.2.7 Anbringen der Kopfstütze




1. Führen Sie mit dem Sterngriff ⑥ die Schraube ein Stück in die Halterung ⑦ ein.
2. Schieben Sie die Halterung mit der Schraube von hinten so auf den Griff der Rückenlehne ⑤, dass die Schraube in das Loch des Rückenlehnengriffs greift.
3. Führen Sie die Platte ④ von vorne so in die Halterung ein, dass die beiden Laschen der Platte nach oben und nach unten zeigen und die Rundung am Rückenlehnengriff anliegt.
4. Schieben Sie das Höhenverstellrohr ③ von oben in die Aussparungen der Halterung.
5. Ziehen Sie mit dem Sterngriff die Schraube fest, bis das Höhenverstellrohr fest sitzt.
6. Schieben Sie das Polster ① und die Polsterhalterung ② in die Fassung ⑧ am Höhenverstellrohr.
7. Ziehen Sie mit dem Sterngriff ② die obere Schraube so fest, dass die Polsterhalterung fest sitzt.

 Zwecks individueller Einstellung kann das Höhenverstellrohr so ausgerichtet werden, dass die Rundung nach vorne oder hinten zeigt.

Das Kopfstützenpolster ① kann entfernt und durch anders geformte Polster (optional) ersetzt werden. Um es zu entfernen, lösen Sie die Halterungsschrauben ①.

### Einstellen der Länge der Kopfstütze

 Die Kopfstützenrohre ③ und ② können bei Bedarf gekürzt werden (siehe Servicehandbuch). Dies darf nur von einem qualifizierten Techniker vorgenommen werden.

### 4.2.8 Montage des Kippschutzes an der Rückseite



#### **WARNUNG!** **Kippgefahr**

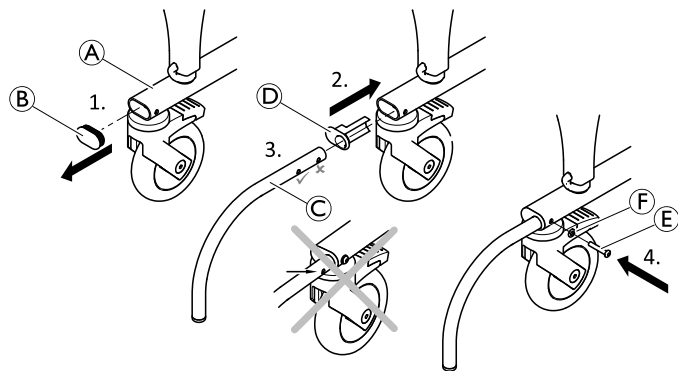
Beim Ocean Dual VIP Ergo besteht bei geneigter Rückenlehne eine erhebliche Verletzungsgefahr. Der Rollstuhl kann dabei komplett nach hinten kippen.

– Achten Sie vor Verwendung des Ocean Dual VIP Ergo daher darauf, dass an der Rückseite beide Kippschutzvorrichtungen montiert sind.



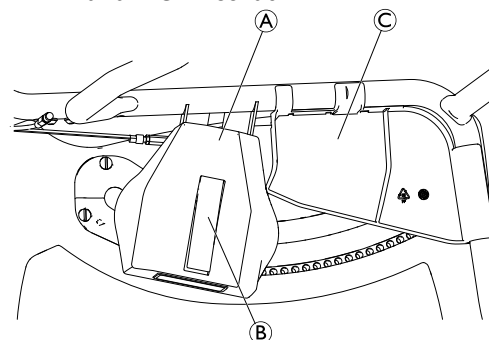
#### **WARNUNG!** **Verletzungsgefahr**

– Stellen Sie sich niemals auf den Kippschutz.



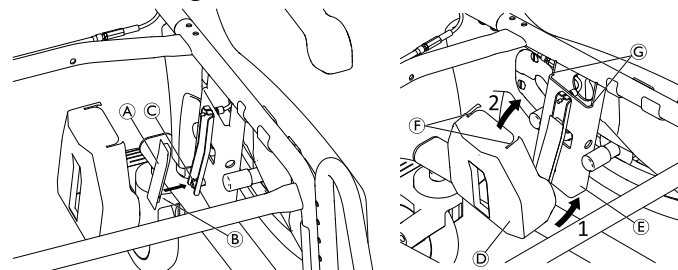
1. Nehmen Sie die Abdeckkappe **B** vom Grundrahmen **A** ab.
2. Bringen Sie die Montagekappe **D** am Grundrahmen an.
3. Setzen Sie das Kippschutzrohr **C** ein.
4. Befestigen Sie den Kippschutz im zweiten Loch mit der Schraube **E** und der Unterlegscheibe **F**.
5. Montieren Sie den zweiten Kippschutz an der anderen Seite.

#### 4.2.9 Anbringen/Abnehmen der Abdeckungen von Bremse und Klemmschutz



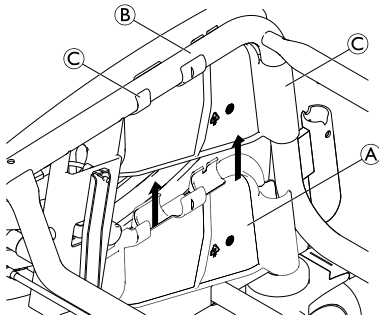
<b>A</b>	Bremsabdeckung
<b>B</b>	Bremshebelabdeckung
<b>C</b>	Klemmschutzabdeckung

#### Bremsabdeckung



1. Bringen Sie die Bremshebelabdeckung **A** an, indem Sie den Schlitz **B** auf den kleinen Schaft **C** drücken.
2. Halten Sie den unteren Teil der Bremsabdeckung **D** in einem schrägen Winkel an das Bremsgehäuse **E**.
3. Klappen Sie den oberen Teil der Bremsabdeckung so über das Gehäuse, dass die Aussparungen **F** an den Kanten **G** anliegen.
4. Befestigen Sie die Bremsabdeckung auf der anderen Seite auf die gleiche Weise.

### Klemmschutzabdeckung



1. Schieben Sie die Klemmschutzabdeckung **A** auf die Rahmenrohre **B**. Alle Clips **C** müssen einrasten.
2. Befestigen Sie die zweite Klemmschutzabdeckung auf der anderen Seite auf die gleiche Art.

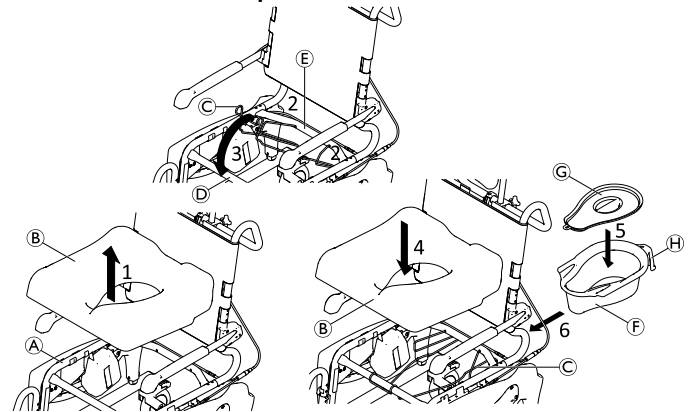
## 4.3 Montage von Zubehörteilen und Optionen



### WARNUNG! Verletzungsgefahr


– Die Montage von Zubehör und Optionen muss den entsprechenden Anweisungen gemäß erfolgen.


### 4.3.1 Montage/Entfernen der Toilettentopfhalterung und des Toilettentopfs




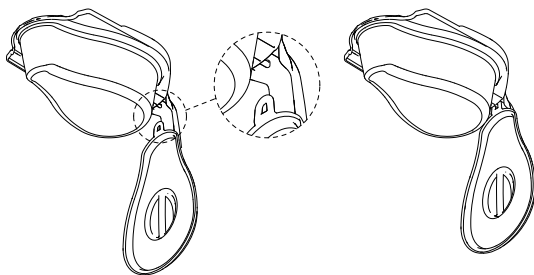
Der Toilettentopf **F** kann mit oder ohne Deckel **G** eingesetzt/entfernt werden.

1. Nehmen Sie die Sitzplatte **B** aus dem Rahmen **A** heraus.
2. Positionieren Sie die Enden der Toilettentopfhalterung **C** in den Öffnungen des hinteren Querrohrs **E**.
3. Lassen Sie den vorderen Teil der Toilettentopfhalterung in das vordere Querrohr **D** einrasten.

4. Setzen Sie die Sitzplatte wieder in den Rahmen ein.
5. Bringen Sie den Deckel am Toilettentopf an bzw. entfernen Sie ihn.
6. Halten Sie den Toilettentopf  am Griff und setzen Sie ihn von der Rückseite her zwischen der Toilettentopfhalterung und dem Sitz ein.

 Drücken Sie beim Einsetzen/Entfernen leicht auf den Toilettentopf.

 Der Deckel kann am Kunststoffhaken an der Unterseite des Toilettentopfgriffs aufgehängt werden.



## 5 Verwenden

### 5.1 Sicherheitsinformationen



#### **WARNUNG!**

- Verwenden Sie den Dusch- und Toilettenstuhl nur auf ebenen Flächen und in Innenräumen.
- Beachten Sie die Angaben auf dem Typenschild. Der Dusch- und Toilettenstuhl darf nicht überladen werden.
- Beachten Sie die Sicherheitsetiketten an der Rückseite der Kopfstütze und am Rückenlehnengriff, *2.2 Etiketten und Symbole am Produkt, Seite 40*.
- Beladen Sie den Dusch- und Toilettenstuhl nicht mit zu hohem Gewicht.
- Führen Sie vor jeder Verwendung des Produkts eine Sichtkontrolle auf äußere Schäden durch.



#### **WARNUNG!**

##### **Rutsch- und Rollgefahr**

- Stellen Sie vor der Verwendung sicher, dass der Sitz fest am Sitzrahmen befestigt ist.
- Verriegeln Sie vor dem Hinsetzen oder Aufstehen aus dem Dusch- und Toilettenstuhl sowie in der Parkposition alle Schwenkrollen mit Hebeln mithilfe der Fußhebel.



#### **WARNUNG!**

##### **Kippgefahr**

- Drehen Sie vor dem Hinsetzen oder Aufstehen die Fußstützen zur Seite oder klappen Sie die Fußplatten nach oben.
- Drehen Sie vor dem Hinsetzen oder Aufstehen die vorderen Schwenkräder so, dass die Sperrvorrichtung nach vorne weist.
- Stellen Sie sich niemals auf die Fußstützen.
- Lehnen Sie sich niemals übermäßig nach vorn.
- Schieben Sie den sitzenden Benutzer nur dann mit dem Toilettenstuhl, wenn Sitzrahmen und Rückenlehne sich in der aufrechten Position befinden.
- Den Benutzer nur dann in oder aus dem Toilettenstuhl umsetzen, wenn Sitzrahmen und Rückenlehne sich in einer aufrechten Position befinden.
- Entfernen Sie keinesfalls die pneumatischen Federn (nur beim Ocean Dual VIP Ergo).



#### **WARNUNG!**

##### **Verletzungsgefahr!**

- Vor Verwendung des variablen Softsitzes (optional) müssen die Seitenabdeckungen montiert werden.



#### **WARNUNG!**

##### **Kippgefahr nach hinten!**

- Der Ocean Dual VIP Ergo darf nur verwendet werden, wenn an der Rückseite die Anti-Kipp-Vorrichtungen montiert sind.



**WARNUNG!****Kippgefahr**

- Der Dusch- und Toilettenstuhl darf nur mithilfe der Schiebestange bewegt werden.

**VORSICHT!****Verbrennungsgefahr für die Haut**

- Die Komponenten des Produkts können sich aufheizen, wenn sie externen Wärmequellen ausgesetzt werden.
- Denken Sie daran, dass sich Oberflächen des Dusch- und Toilettensitzes bei Verwendung in der Sauna oder bei Kontakt mit heißem Wasser aufheizen können.
  - Setzen Sie das Produkt vor Gebrauch keiner direkten Sonneneinstrahlung aus.

**VORSICHT!****Einklemmgefahr durch Kippmechanismus**

- Stellen Sie beim Kippen des Sitzrahmens oder der Rückenlehne sicher, dass die Arme des Anwenders auf den Armlehnen liegen oder vor dem Körper verschränkt sind.
- Überprüfen Sie, dass die Klemmschutzabdeckung am Rahmen angebracht ist (siehe 4.2.9 *Anbringen/Abnehmen der Abdeckungen von Bremse und Klemmschutz, Seite 53*).

**HINWEIS!****Gefahr eines Bruchs der Kopfstütze**

- Lenken und schieben Sie den Dusch- und Toilettenstuhl nur am Griff an der Rückenlehne, keinesfalls jedoch an der Kopfstütze.

**HINWEIS!****Gefahr einer Beschädigung des Produkts**

- Heben Sie den Dusch- und Toilettenstuhl nicht an den Fußstützen, Armlehnen oder anderen Zubehörteilen/Optionen an.



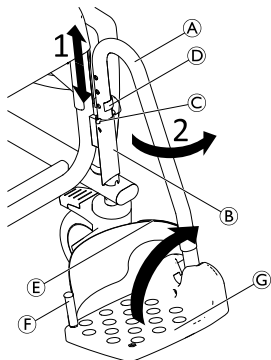
Für Anwender, bei denen die Gefahr besteht, dass sie sich auf die Fußstützen stellen (z. B. Demenz-Patienten), ist ein vorderer Kippschutz (Option) verfügbar. Dieser verhindert, dass der Dusch- und Toilettenstuhl nach vorne kippt.

## 5.2 Armlehnen hochklappen

**VORSICHT!****Einklemmgefahr von Fingern**

- Stecken Sie die Finger nicht zwischen Armlehne und Rückenlehne, wenn Sie die Armlehnen hochklappen.

### 5.3 Drehen der Fußauflagen



#### Position beim Einsteigen/Verlassen:

1. Ziehen Sie die Fußauflage **A** in der Führung **B** ein Stück nach oben, bis der Stift der Klemme **D** nicht mehr in die Kerbe **C** eingreift.
2. Drehen Sie die Fußauflage zur Seite.

#### Fahrposition:



#### **VORSICHT!**

**Unfallgefahr bei nicht fixierter Fußauflage**  
– Fußauflagen in der Fahrposition fixieren.

1. Drehen Sie die Fußauflage **A** nach innen.
2. Schieben Sie die Fußauflage nach unten, bis der Stift an Clip **D** in der Aussparung **C** einrastet.



Alternativ können die Fußplatten **G** auch nach oben geschwenkt werden, um sich auf den Dusch- und Toilettenstuhl zu setzen bzw. diesen zu verlassen.

### Austausch des Fersenbands

1. Öffnen Sie das Klettband **E** am Fersenband.
2. Lösen Sie die Schraube **F** an der Unterseite der Fußplatte.
3. Lösen Sie das Fersenband vom flexiblen Kunststoffstift.



Führen Sie zum Befestigen des Bands die Schritte in umgekehrter Reihenfolge aus.



Achten Sie beim Anbringen darauf, dass der Klettverschluss am Fersenband nach hinten weist.

### 5.4 Verstellung des Sitzrahmens samt der Rückenlehne



#### **HINWEIS!**

– Beim Verstellen niemals in den Bereich zwischen Seitenteilen und Rohrrahmen fassen.

#### Verstellung nach hinten/vorne



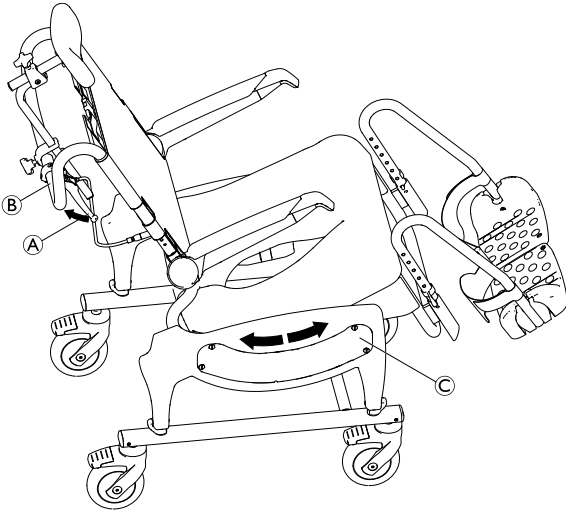
Der Sitzrahmen kann mit der Rückenlehne um etwa 40° nach hinten geneigt werden.



Als optionales Zubehör sind Sitzwinkelbegrenzer erhältlich, die eine Rückenwinkelverstellung nach vorne auf einen geringeren Winkel als 0° verhindern.



Bei den zwei niedrigsten Sitzhöhen kann die Fußstütze nicht im vollen Umfang eingestellt werden. Überprüfen Sie vor der Verwendung, dass die Fußstützen beim Nachvorneigen des Sitzes nicht den Boden berühren. Ändern Sie ggf. die Sitzhöhe oder die Fußstützenhöhe.



### VORSICHT!

#### Quetschgefahr

Finger und Hände können im Kippmechanismus eingeklemmt werden.

– Stellen Sie vor jeder Verwendung sicher, dass die Seitenteilabdeckungen © des Kippmechanismus ordnungsgemäß angebracht sind.

1. Drücken Sie zur Verriegelung der Schwenkräder alle vier Fußhebel nach unten.
2. Halten Sie den Duschstuhl an der Schiebestange © fest.
3. Ziehen und halten Sie den Aktivierungsgriff A.
4. Stellen Sie die gewünschte Neigung ein, indem Sie den Griff B nach unten drücken oder nach oben ziehen.
5. Lassen Sie den Aktivierungsgriff los und die Stifte des Kippmechanismus in den entsprechenden Aussparungen einrasten. Der Sitzrahmen wird mit der aktuell eingestellten Neigung fixiert.

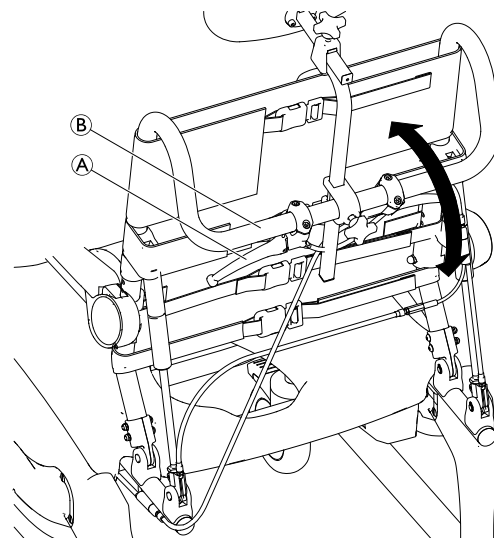
## 5.5 Verstellung der Rückenlehne (nur Ocean Dual VIP Ergo)



### VORSICHT!

**Gefahr eines Einklemmens der Finger zwischen der Armlehnenhalterung und dem Seitenteil**

- Greifen Sie niemals in den Bereich zwischen der Armlehnenhalterung und dem Seitenteil, wenn Sie den Sitzrahmen nach hinten neigen oder die Rückenlehne absenken.
- Stellen Sie beim Neigen des Sitzrahmens oder der Rückenlehne sicher, dass die Arme des Anwenders auf den Armlehnen liegen oder vor dem Körper verschränkt sind.




1. Drücken Sie zur Verriegelung der Schwenkräder alle vier Fußhebel nach unten.
2. Halten Sie den Duschstuhl an der Schiebbestange ② fest.
3. Ziehen und halten Sie den Aktivierungsgriff ①.



Der Aktivierungsgriff hat eine Verriegelungsvorrichtung. Um den Griff betätigen zu können, muss zuerst an der Verriegelungsvorrichtung gezogen werden.

4. Kippen Sie die Rückenlehne in die gewünschte Position.
5. Um die Rückenlehne in der gewünschten Position festzustellen, lassen Sie den Hebel los.

 Sitz der Benutzer nicht im Sitz, ist die Verstellung der Rückenlehne nach hinten deutlich schwerer. Wird der Griff betätigt, kehrt die Rückenlehne automatisch in die aufrechte Position zurück, sofern kein Benutzer im Rollstuhl sitzt.

## 5.6 Arretieren/Entsperren der Schwenkrollenverriegelungen

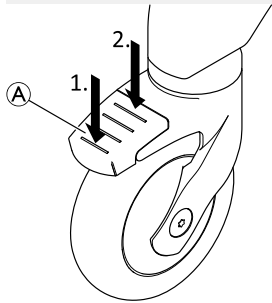


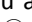
### VORSICHT!

#### Einklemmungs- und Quetschungsgefahr

Alle Schwenkrollenverriegelungen werden per Fuß bedient.

– Die Schwenkrollenverriegelungen nicht per Hand bedienen.



1. Um die Verriegelungen der Schwenkrollen zu arretieren, treten Sie auf das hintere Ende des Pedals , bis es einrastet.



Die Schwenkrolle ist jetzt in der Position fixiert und kann nicht mehr geschwenkt werden.

2. Um die Verriegelungen der Schwenkrollen zu lösen, treten Sie auf das vordere Ende des Pedals, bis es sich löst.



Die Schwenkrolle mit blauem Pedal (optionale Richtungsverriegelung) aktiviert die Schwenkverriegelung für eine leichtere Bewegung in gerader Linie.

## 6 Transport

### 6.1 Sicherheitsinformationen



Das Produkt kann für den Transport in die Einzelteile aus dem Lieferumfang zerlegt werden, siehe Kapitel 3.2 *Hauptkomponenten des Produkts, Seite 43*.

1. Zum Zerlegen des Produkts in umgekehrter Montagereihenfolge vorgehen, siehe Kapitel 4 *Inbetriebnahme, Seite 46*.



#### **HINWEIS!**

##### **Gefahr einer Beschädigung des Produkts**

- Das Produkt beim Transport vor Feuchtigkeit schützen.
- Das Produkt keiner direkten Sonneneinstrahlung aussetzen.
- Die Transport- und Lagerbedingungen beachten, siehe Kapitel 10.3 *Umgebungsbedingungen, Seite 71*.



#### **HINWEIS!**

- Bei diversen Verbindungen kommen selbstsichernde Schrauben/Muttern oder Schraubensicherungslack zum Einsatz. Wenn diese gelöst werden, müssen sie durch neue selbstsichernde Schrauben/Muttern ersetzt bzw. mit neuem Schraubensicherungslack gesichert werden.

## 7 Instandhaltung

### 7.1 Wartung und Inspektion

Für dieses Produkt ist keine Wartung erforderlich, wenn die unten aufgeführten Reinigungs- und Sicherheitsanweisungen beachtet werden.

Um die Funktion und die Sicherheit des Produkts aufrechtzuerhalten, sollten Sie regelmäßig folgende Überprüfungen vornehmen:

- Überprüfen Sie das Produkt und Zubehör/Optionen regelmäßig auf Schäden. Verwenden Sie das Produkt nicht, wenn es defekt ist.
- Überprüfen Sie die Neigefunktion von Sitzrahmen und Rückenlehne (Ocean Dual VIP Ergo). Sitzrahmen und Rückenlehne müssen sich leicht neigen und in einer Position fixieren lassen.
- Wenn eine Sitzwinkelverstellung auf einen geringeren Winkel als 0° nicht möglich ist, entfernen Sie gegebenenfalls die Sitzwinkelbegrenzer (Option).
- Wenn Schäden oder Fehlfunktionen vorliegen, sollten Sie sich an den Anbieter wenden.
- Vergewissern Sie sich, dass das Produkt ordnungsgemäß montiert ist, alle Schutzabdeckungen angebracht sind und die Schrauben ordnungsgemäß festgezogen wurden.



#### **WARNUNG!**

##### **Gefahr von Verletzungen und Sachschäden**

Ein nicht ordnungsgemäß eingestelltes Produkt kann zu Unfällen und schweren Verletzungen führen.

- Das Produkt darf nur von einem qualifizierten Techniker repariert werden.
- Beschädigte Teile müssen durch einen qualifizierten Techniker ausgetauscht werden.
- Ausschließlich Originalersatzteile von Invacare verwenden.

### 7.2 Reinigung und Desinfektion

#### 7.2.1 Allgemeine Sicherheitsinformationen



#### **VORSICHT!**

##### **Kontaminationsgefahr**

- Vorkehrungen für sich selbst treffen und geeignete Schutzausrüstung verwenden.

### ! HINWEIS!

Falsche Reinigungsmethoden oder -flüssigkeiten können zu einer Beschädigung des Produkts führen.

- Alle verwendeten Reinigungs- und Desinfektionsmittel müssen wirksam und miteinander verträglich sein und das Material schützen, das mit ihnen gereinigt wird.
- Keinesfalls korrodierende Flüssigkeiten (Laugen, Säuren usw.) oder scheuernde Reinigungsmittel verwenden. Wenn in der Reinigungsanweisung nichts anderes angegeben ist, empfehlen wir ein handelsübliches Haushaltsreinigungsmittel (z. B. Geschirrspülmittel).
- Niemals Lösungsmittel (Nitroverdünnung, Aceton usw.) verwenden, die die Struktur des Kunststoffes verändern oder die angebrachten Etiketten angreifen.
- Immer sicherstellen, dass das Produkt absolut trocken ist, bevor es wieder in Gebrauch genommen wird.

i Zur Reinigung und Desinfektion in Langzeitpflegeumgebungen oder klinischen Umgebungen die internen Verfahren beachten.

## 7.2.2 Reinigungsintervalle

### ! HINWEIS!

Regelmäßige Reinigung und Desinfektion sorgen für einen reibungslosen Betrieb, verlängern die Nutzungsdauer und verhindern Verunreinigungen. Reinigen und desinfizieren Sie das Produkt:

- regelmäßig, sofern es verwendet wird,
- vor und nach jeder Wartung,
- nach Kontakt mit Körperflüssigkeiten,
- vor Benutzung durch einen neuen Patienten.

## 7.2.3 Reinigung

Das Produkt kann mithilfe von handelsüblichen Mitteln gereinigt werden.

### Reinigung im häuslichen Umfeld

1. Entfernen Sie angebrachte Zubehörteile/Optionen (nur Zubehörteile/Optionen, für die keine Werkzeuge erforderlich sind).
2. Ziehen Sie die Fußstützen aus den Führungen.
3. Nehmen Sie die Sitzplatte und den Rückenlehnenbezug ab.
4. Entfernen Sie die Abdeckungen von Bremse und Klemmschutz (siehe Kapitel 4.2.9 *Anbringen/Abnehmen der Abdeckungen von Bremse und Klemmschutz, Seite 53*).
5. Wischen Sie die Einzelteile mit einem Tuch oder einer Bürste ab und verwenden Sie dabei handelsübliche Reinigungs- und Desinfektionsmittel.
6. Spülen Sie die Teile mit warmem Wasser ab.



7. Trocknen Sie die Teile mit einem Tuch.
8. Bauen Sie das Produkt wie in Kapitel 4 *Inbetriebnahme, Seite 46* beschrieben wieder zusammen.

### Reinigung in einem klinischen Umfeld



Zusätzlich zu der oben beschriebenen Reinigung empfehlen wir, das Produkt vor dem Gebrauch durch einen anderen Patienten, nach der Anwendungsperiode oder regelmäßig (je nachdem, was früher eintritt) bei

- 90 °C für 1 Minute
- 85 °C für 3 Minuten
- 80 °C für 10 Minuten

im Autoklav zu reinigen.



#### **VORSICHT!**

#### **Verbrennungsgefahr für die Haut**

– Lassen Sie das Produkt nach dem Reinigen in der Waschmaschine oder im Autoklav abkühlen.

### Reinigung des Rückenlehnenbezugs

1. Nehmen Sie den Rückenlehnenbezug ab.
2. Waschen Sie den Rückenlehnenbezug bei max. 60 °C mit einem milden Waschmittel in der Waschmaschine.



#### **HINWEIS!**

#### **Gefahr von Sachschäden**

- Waschen bei höheren Temperaturen kann Beschädigungen zur Folge haben.
- Nicht im Wäschetrockner trocknen.



#### **HINWEIS!**

- Übermäßige Reinigung kann den Stoff schädigen.
- Aus hygienischen Gründen empfehlen wir, den Rückenlehnenbezug alle zwei Jahre zu ersetzen.

### Reinigen des Toilettentopfs (optional)

Der Toilettentopf kann im Autoklav gereinigt werden. Hierfür kommen die folgenden Reinigungszyklen (Temperatur/Dauer) in Betracht:

- 90 °C für 1 Minute
- 85 °C für 3 Minuten
- 80 °C für 10 Minuten

### 7.2.4 Desinfektionsanweisungen



Informationen zu empfohlenen Desinfektionsmitteln und -verfahren finden Sie unter <https://vah-online.de/de/fuer-anwender>.

#### Im häuslichen Bereich

Methode: Befolgen Sie die Anwendungshinweise des verwendeten Desinfektionsmittels und desinfizieren Sie alle zugänglichen Flächen.

Desinfektionsmittel: Haushaltsübliches Desinfektionsmittel.

Trocknen: Das Produkt an der Luft trocknen lassen.

#### In der Klinik und Langzeitpflege

Befolgen Sie die einrichtungsinternen Bestimmungen zum Desinfektionsverfahren und verwenden Sie nur die darin aufgeführten Desinfektionsmittel.

## 8 Nach dem Gebrauch

### 8.1 Aufbewahrung



#### **WARNUNG!**

##### **Gefahr einer Beschädigung des Produkts**

- Das Produkt an einem trockenen Ort lagern.
- Das Produkt nicht in der Nähe von Wärmequellen lagern.
- Das Produkt keiner direkten Sonneneinstrahlung aussetzen.
- Die in Abschnitt *10.3 Umgebungsbedingungen, Seite 71* aufgeführten Transport- und Lagerbedingungen beachten.



Nach längerer Aufbewahrung ist zur Auslösung der Gasdruckfeder möglicherweise ein höherer Kraftaufwand erforderlich (nur Ocean Dual VIP Ergo).

### 8.2 Wiederaufbereitung

Dieses Produkt ist für die wiederholte Verwendung geeignet. Um das Produkt für einen neuen Benutzer wiederaufzubereiten, sind die folgenden Maßnahmen zu ergreifen:

- Prüfung
- Reinigung und Desinfektion

Ausführliche Informationen finden Sie im Kapitel 7 *Instandhaltung, Seite 63* sowie im Servicehandbuch zu diesem Produkt.

Stellen Sie sicher, dass die Gebrauchsanweisung zusammen mit dem Produkt übergeben wird.

Das Produkt darf nicht wiederverwendet werden, wenn es beschädigt ist oder Funktionsstörungen vorliegen.

### 8.3 Entsorgung

Handeln Sie umweltbewusst, und lassen Sie dieses Produkt nach dem Ende seiner Lebensdauer über eine lokale Müllverwertungsanlage recyceln.

Demontieren Sie das Produkt und seine Bauteile, damit die verschiedenen Materialien einzeln getrennt und recycelt werden können.

Die Entsorgung und das Recycling von gebrauchten Produkten und Verpackungen müssen in Übereinstimmung mit den einschlägigen Gesetzen und Vorschriften des jeweiligen Landes zur Abfallentsorgung erfolgen. Wenden Sie sich an Ihr Abfallentsorgungsunternehmen, wenn Sie weitere Informationen wünschen.

## 9 Problembehandlung

### 9.1 Erkennen und Beheben von Mängeln



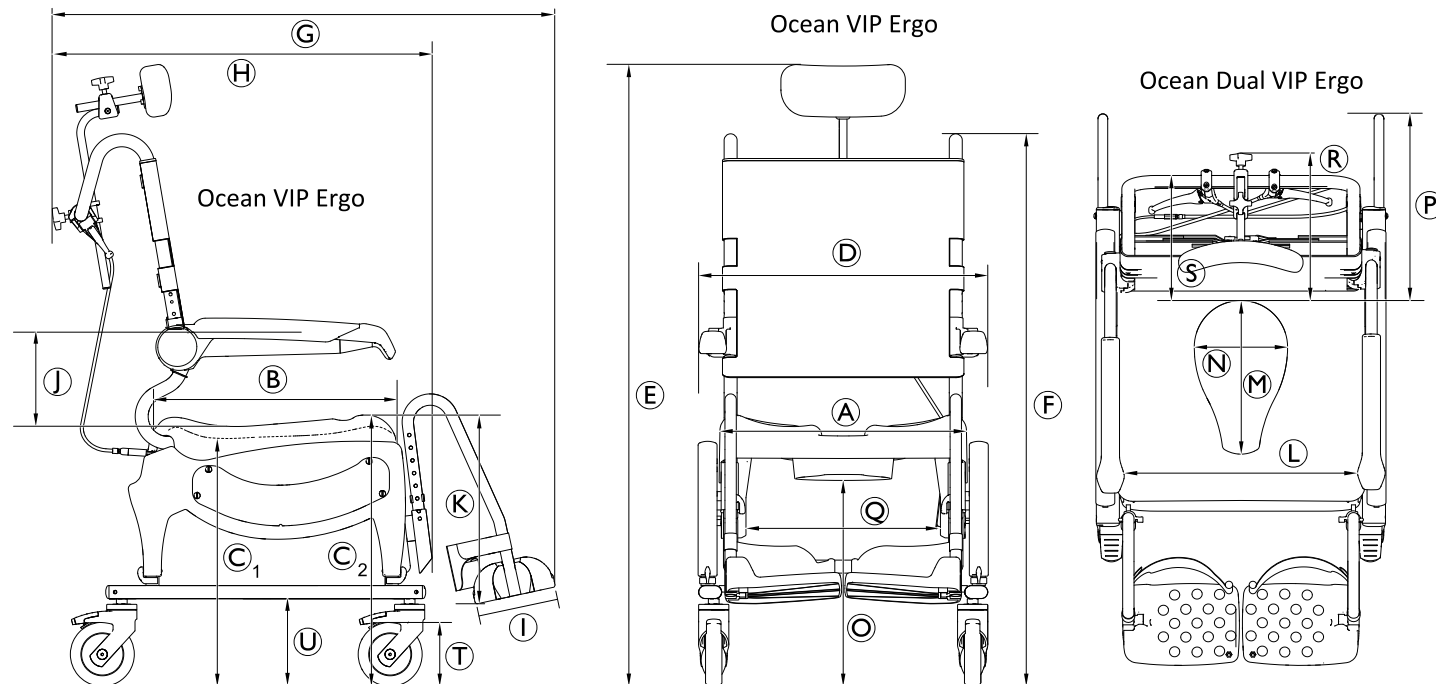
In der folgenden Tabelle finden Sie Informationen zu Mängeln und ihren möglichen Ursachen. Lässt sich der Fehler nicht durch eine der genannten Maßnahmen beheben, wenden Sie sich direkt an den Anbieter.

Fehlfunktion	Mögliche Ursache	Lösung
Schwierigkeiten beim Einstellen der Sitzhöhe	Schmutz zwischen Sitzrahmen und Seitenteil	Zerlegen Sie den Grundrahmen und reinigen Sie ihn und das Seitenteil sorgfältig.
Die Schwenkräder lassen sich schwer oder gar nicht drehen.	Schmutz zwischen Gabel und Felge	Die Schwenkräder gründlich reinigen.
Die Fußauflagen lassen sich nur schwer zur Seite drehen.	Ablagerungen in den Führungen	Die Fußauflagen und Führungen gründlich reinigen.
Der Sitzrahmen mit der Rückenlehne lässt sich nicht neigen.	Ablagerungen im Kippmechanismus	Nehmen Sie die Abdeckungen von Bremse und Bremshebel ab und reinigen Sie den Kippmechanismus sorgfältig.
	Bowdenzug nicht richtig eingestellt	Der Bowdenzug muss von einem qualifizierten Techniker eingestellt werden.
Größerer Kraftaufwand zum Auslösen der Gasdruckfeder (Dual VIP) erforderlich	Längere Aufbewahrung ohne Nutzung	Rückenlehne mehrmals kippen.
Rückenlehne lässt sich nicht neigen (Dual VIP)	Bowdenzug nicht richtig eingestellt	Der Bowdenzug muss von einem qualifizierten Techniker eingestellt werden.

<b>Fehlfunktion</b>	<b>Mögliche Ursache</b>	<b>Lösung</b>
Knackgeräusche beim Neigen des Sitzrahmens mit Rückenlehne	Bowdenzug nicht richtig eingestellt	Der Bowdenzug muss von einem qualifizierten Techniker eingestellt werden.
	Aktivierungsgriff ist nicht komplett gezogen	Aktivierungsgriff komplett ziehen.

## 10 Technische Daten

### 10.1 Abmessungen und Gewicht



	Ocean VIP Ergo	Ocean VIP Ergo XL*	Ocean Dual VIP Ergo
(A)		480 mm	
(B)		480 mm	

	Ocean VIP Ergo	Ocean VIP Ergo XL*	Ocean Dual VIP Ergo
© <sub>1</sub>	475–600 mm		
© <sub>2</sub>	533–658 mm		
©	565 mm	645 mm	565 mm
©	ca. 1052–1340 mm (in neutraler Sitzposition)		
©	ca. 1052–1202 mm (in neutraler Sitzposition)		
©	ca. 1000 mm Gekippt: ca. 1520 mm Gekippt und Rückenlehne geneigt (nur Ocean Dual VIP): ca. 1700 mm		
©	ca. 742 mm		
©	160 mm		
©	213 mm/251 mm/289 mm		
©	319–469 mm (in Abständen von 25 mm)		
©	475 mm	535 mm	475 mm
©	350 mm (Oberseite)/300 mm (Unterseite)		
©	250 mm (Oberseite)/182 mm (Unterseite)		
©	400–525 mm		
©	—	—	380 mm
©	385 mm		
©	295 mm		—
©	230 mm		—
©	Æ 5" (127 mm)		

	Ocean VIP Ergo	Ocean VIP Ergo XL*	Ocean Dual VIP Ergo
⊙	172 mm		
Neigungswinkel des Sitzes	-5° – 40°		
Neigungswinkel der Rückenlehne	—	—	5° – 35°
Wendekreis	2200 mm		
Wendebereich	1140 mm		1290 mm
Produktgewicht	23.5 kg		28.3 kg
Maximales Benutzergewicht	150 kg		

\* XL-Armlehnen sind optional verfügbar.

## 10.2 Materialien

Rahmen	Edelstahl, pulverbeschichtet
Sitzplatte	Polypropylen, glasfaserverstärkt
Rückenlehnenbezug	Nylon, PVC-beschichtet
Fußstützen	Polypropylen, glasfaserverstärkt
Armlehne	Polyamid, glasfaserverstärkt
Schwenkräder	Kunststoff und Edelstahl

Alle Komponenten des Produkts sind korrosionsbeständig und enthalten kein Naturkautschuklatex.

## 10.3 Umgebungsbedingungen

Betriebsbedingungen	
Umgebungstemperatur	10–65 °C
Relative Luftfeuchtigkeit	15–93 % (nicht kondensierend)
Luftdruck	795 bis 1060 hPa
Transport- und Lagerungsbedingungen	
Umgebungstemperatur	0–65 °C
Relative Luftfeuchtigkeit	30–75 % (nicht kondensierend)
Luftdruck	795 bis 1060 hPa





# Sommaire

Ce manuel DOIT être remis à l'utilisateur du produit. AVANT d'utiliser ce produit, vous DEVEZ lire ce manuel et le conserver pour pouvoir vous y reporter ultérieurement.

<b>1 Généralités</b>	<b>74</b>
1.1 Introduction	74
1.2 Symboles figurant dans ce document	74
1.3 Informations de garantie	75
1.4 Conformité	75
1.4.1 Normes spécifiques au produit	75
1.5 Durée de vie	75
<b>2 Sécurité</b>	<b>77</b>
2.1 Informations de sécurité	77
2.2 Étiquettes et symboles figurant sur le produit	78
<b>3 Présentation du produit</b>	<b>81</b>
3.1 Utilisation prévue	81
3.2 Pièces principales du produit	81
<b>4 Réglages (Mise en service)</b>	<b>83</b>
4.1 Informations de sécurité	83
4.2 Assemblage de la chaise roulante pour douche/toilettes	83
4.2.1 Réglage de la hauteur d'assise	83
4.2.2 Installation du dossier	84
4.2.3 Installation de la poignée d'activation	86
4.2.4 Installation et démontage de la plaque d'assise	86
4.2.5 Réglage de la hauteur de l'accoudoir	86
4.2.6 Installation des repose-pieds	88
4.2.7 Installation de l'appui-tête	89
4.2.8 Installation des dispositifs anti-bascule arrière	90
4.2.9 Installation/démontage des carénages de freins / protection de serrage	90

4.3 Montage des accessoires et options	91
4.3.1 Installation/démontage du support de cuvette de toilettes et de la cuvette de toilettes	91
<b>5 Utilisation</b>	<b>93</b>
5.1 Informations de sécurité	93
5.2 Rotation des accoudoirs	95
5.3 Pivot des repose-pieds	95
5.4 Inclinaison de l'armature du siège avec le dossier	96
5.5 Inclinaison du dossier (Ocean Dual VIP Ergo uniquement)	97
5.6 Enclenchement/desserrage des freins de roulettes	98
<b>6 Transport</b>	<b>99</b>
6.1 Informations de sécurité	99
<b>7 Maintenance</b>	<b>100</b>
7.1 Maintenance et inspection	100
7.2 Nettoyage et désinfection	100
7.2.1 Informations de sécurité générales	100
7.2.2 Fréquence de nettoyage	101
7.2.3 Nettoyage	101
7.2.4 Instructions de désinfection	102
<b>8 Après l'utilisation</b>	<b>103</b>
8.1 Stockage	103
8.2 Reconditionnement	103
8.3 Mise au rebut	103
<b>9 Dépannage</b>	<b>104</b>
9.1 Identification et résolution des pannes	104
<b>10 Caractéristiques Techniques</b>	<b>106</b>
10.1 Dimensions et poids	106
10.2 Matériaux	108
10.3 Paramètres environnementaux	108

# 1 Généralités

## 1.1 Introduction

Le présent manuel d'utilisation contient des informations importantes sur la manipulation du produit. Pour garantir une utilisation en toute sécurité du produit, lisez attentivement le manuel d'utilisation et respectez les instructions de sécurité.

Utilisez ce produit uniquement si vous avez lu et compris ce manuel. Consultez un professionnel de la santé qui connaît votre état de santé et clarifiez toute question concernant l'utilisation correcte et le réglage nécessaire auprès du professionnel de santé.

Veillez noter que certaines sections du présent document peuvent ne pas s'appliquer à votre produit, étant donné que le document concerne tous les modèles disponibles (à la date d'impression). Sauf mention contraire, chaque section de ce document se rapporte à tous les modèles du produit.

Les modèles et les configurations disponibles dans votre pays sont répertoriés dans les documents de vente spécifiques au pays.

Invacare se réserve le droit de modifier les caractéristiques des produits sans préavis.

Avant de lire ce document, assurez-vous de disposer de la version la plus récente. Cette version est disponible au format PDF sur le site Internet d'Invacare.

Si la taille des caractères de la version imprimée du document vous semble trop difficile à lire, vous pouvez télécharger la version PDF sur le site Internet. Vous pourrez

alors ajuster la taille des caractères à l'écran pour améliorer votre confort visuel.

Pour obtenir plus d'informations sur le produit, comme les avis de sécurité ou les rappels du produit, contactez votre distributeur Invacare. Reportez-vous aux adresses indiquées à la fin du présent document.

En cas d'incident grave avec le produit, vous devez en informer le fabricant et l'autorité compétente de votre pays.

## 1.2 Symboles figurant dans ce document

Les symboles et mots d'avertissement utilisés dans le présent document s'appliquent aux risques ou aux pratiques dangereuses qui pourraient provoquer des blessures ou des dommages matériels. Reportez-vous aux informations ci-dessous pour la définition des symboles d'avertissement.



### AVERTISSEMENT

Indique une situation dangereuse qui, si elle n'est pas évitée, est susceptible de provoquer des blessures graves, voire mortelles.



### ATTENTION

Indique une situation dangereuse qui, si elle n'est pas évitée, est susceptible de provoquer des blessures mineures ou légères.

- ! AVIS  
Indique une situation dangereuse qui, si elle n'est pas évitée, est susceptible de provoquer des dommages matériels.
- o Conseils et recommandations  
Donne des conseils, recommandations et informations utiles pour une utilisation efficace et sans souci.

### Autres symboles

(Ne s'applique pas à tous les manuels)



Personne responsable au RU  
Indique si un produit n'est pas fabriqué au Royaume-Uni.



Triman  
Indique les règles de recyclage et de tri (applicable uniquement à la France).

### 1.3 Informations de garantie

Nous fournissons une garantie fabricant pour le produit, conformément à nos conditions générales de vente en vigueur dans les différents pays.

Les réclamations au titre de la garantie ne peuvent être adressées qu'au fournisseur auprès duquel le produit a été obtenu.

### 1.4 Conformité

La qualité est un élément fondamental du fonctionnement de notre entreprise, qui travaille conformément à la norme ISO 13485.

Ce produit porte le label CE et est conforme à la Réglementation sur les dispositifs médicaux de classe I 2017/745.

Ce produit comporte la marque UKCA, en conformité avec la partie II RU MDR 2002 (telle que modifiée) Classe I.

Nous nous efforçons en permanence de réduire au minimum notre impact sur l'environnement, à l'échelle locale et mondiale.

Nous n'utilisons que des matériaux et composants conformes au règlement REACH.

#### 1.4.1 Normes spécifiques au produit

Ce produit a été testé et il est conforme à la norme ISO 17966 (Produits d'assistance pour l'hygiène personnelle soutenant les utilisateurs) et à toutes les normes associées. Les tests effectués incluent des tests d'inflammabilité. Il n'y a pas eu de signes de combustion lente progressive ou de départ de flamme.

Pour des informations complémentaires sur les normes et réglementations locales, contactez un représentant Invacare. Reportez-vous aux adresses indiquées à la fin du présent document.

### 1.5 Durée de vie

La durée de vie attendue de ce produit est de cinq ans lorsqu'il est utilisé quotidiennement et dans le respect des

consignes de sécurité, des intervalles de maintenance et avec une utilisation correcte, comme indiqué dans le présent manuel. La durée de vie effective peut varier en fonction de la fréquence et de l'intensité de l'utilisation.

## 2 Sécurité

### 2.1 Informations de sécurité

**AVERTISSEMENT !****Risque de dommage matériel ou de blessure grave**

Une utilisation inadéquate de ce produit est susceptible d'entraîner des blessures ou des dommages matériels.

- Si vous ne comprenez pas les avertissements, mises en garde ou instructions, contactez un professionnel de santé ou un fournisseur avant d'essayer d'utiliser cet équipement.
- N'utilisez pas ce produit ni tout autre équipement disponible en option sans avoir lu et compris entièrement les présentes instructions et toute autre documentation d'instructions supplémentaire, telle que le manuel d'utilisation, les manuels de maintenance ou fiches d'instructions fournis avec ce produit ou l'équipement en option.

**AVERTISSEMENT !****Risque de blessure**

- Avant chaque utilisation, assurez-vous que le produit n'est pas endommagé et qu'il est correctement monté.
- Avant la première utilisation, nettoyez soigneusement le produit.

**AVERTISSEMENT !****Risque de blessure**

Une utilisation inadéquate de ce produit est susceptible d'entraîner des blessures ou des dommages matériels.

- N'utilisez pas le produit s'il est défectueux.
- En cas de dysfonctionnement, contactez immédiatement votre fournisseur.
- Ne procédez à aucune modification non autorisée et ne transformez pas le produit.
- Utilisez uniquement les accessoires/options conçus pour ce produit.

**AVERTISSEMENT !****Risque de blessure**

Une utilisation inadéquate de ce produit est susceptible d'entraîner des blessures ou des dommages matériels.

- Ne soulevez pas le produit lorsqu'il est sous charge.
- Ne vous mettez pas debout sur le produit.



### ATTENTION ! Risque de blessure

Des pièces non adaptées ou qui ne sont pas d'origine peuvent affecter le fonctionnement et la sécurité du produit.

- Utilisez uniquement les pièces d'origine du produit utilisé.
- Du fait de différences régionales, vous devez vous reporter au catalogue ou au site Internet Invacare de votre pays pour connaître les options qui sont disponibles ; vous pouvez également contacter un représentant Invacare. Reportez-vous aux adresses indiquées à la fin du présent document.



### NOTE !

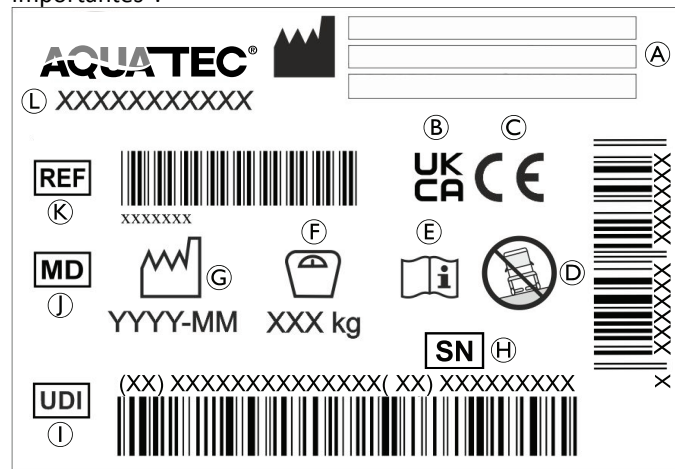
Si ce produit est associé à un autre produit, les restrictions des deux produits s'appliquent à cette association. Par exemple, le poids maximal de l'utilisateur d'un produit dans l'association des deux produits peut être inférieur.

- Utilisez uniquement les associations autorisées par Invacare. Pour plus d'informations, contactez votre distributeur Invacare.
- Avant utilisation, consultez le manuel d'utilisation de chaque produit et vérifiez les restrictions. Pour une utilisation en toute sécurité, il est nécessaire de se conformer entièrement aux informations, instructions et recommandations figurant dans les deux manuels d'utilisation.

## 2.2 Étiquettes et symboles figurant sur le produit


### Autocollant d'identification

L'autocollant d'identification fournit des informations importantes :




Ⓐ	Adresse du fabricant
Ⓑ	Conformité pour le Royaume-Uni évaluée
Ⓒ	Conformité européenne
Ⓓ	À utiliser uniquement sur un sol uniforme
Ⓔ	Consultez le manuel d'utilisation
Ⓕ	Poids maximal de l'utilisateur

Ⓒ	Date de fabrication
Ⓗ	Numéro de série
Ⓛ	Identificateur unique de dispositif
Ⓜ	Dispositif médical
Ⓚ	Numéro de référence
Ⓛ	Désignation du produit

 L'autocollant d'identification est fixé à l'intérieur de la pièce latérale gauche.



### Étiquettes figurant sur le produit

Les autocollants suivants sont fixés à l'arrière de l'appui-tête :	
Étiquette	Description
	<p><b>ATTENTION !</b></p> <p>Risque d'impact</p> <p>Vous risquez de heurter le dossier/l'appui-tête au moment de retirer la poignée d'activation.</p> <p>- Veillez à avoir un espace suffisant entre vous et le dossier/l'appui-tête au moment d'incliner le châssis de l'assise avec le dossier.</p>

Les autocollants suivants sont fixés sur la poignée du dossier :

Étiquette	Description
	<p><b>AVERTISSEMENT !</b></p> <p>Risque de basculement</p> <ul style="list-style-type: none"> <li>- Ne marchez pas sur le repose-pied au moment de monter ou de descendre de la chaise roulante pour douche/toilettes.</li> <li>- Poussez les repose-pieds sur les côtés ou repliez les palettes repose-pied avant de monter ou de descendre de la chaise roulante pour douche/toilettes.</li> <li>- Avant de vous asseoir ou de vous mettre debout, tournez les roulettes de manière à ce que le blocage soit orienté vers l'avant.</li> <li>- Ne vous penchez pas trop en avant lorsque vous êtes assis dans la chaise roulante pour douche/toilettes.</li> </ul>

Les autocollants suivants sont fixés aux poignées d'activation :

Étiquette	Description
	Poignée d'activation pour l'inclinaison du siège.
	Poignée d'activation uniquement pour l'inclinaison du dossier.



## 3 Présentation du produit

### 3.1 Utilisation prévue

Aquatec Ocean VIP Ergo et Aquatec Ocean Dual VIP Ergo sont des chaises roulantes pour douche/toilettes dotées d'une fonction d'inclinaison du siège dans l'espace, d'un châssis en acier inoxydable, d'une hauteur d'assise réglable individuellement, d'un dossier à tension réglable, d'accoudoirs relevables et de palettes repose-pieds texturées, pliables et réglables en angle. Le produit est également disponible avec une fonction supplémentaire d'inclinaison du dossier.

Ces chaises roulantes pour douche/toilettes sont destinées à aider à des activités d'hygiène corporelle avec ou sans assistance, dans des établissements et à la maison.

Température d'utilisation (en intérieur uniquement) : 10 °C - 65 °C

#### Utilisateurs prévus

L'utilisateur est la personne assise dans la chaise roulante pour douche/toilettes ou une tierce-personne. L'appareil peut être utilisé pour des adolescents ou adultes dont la taille est supérieure ou égale à 146 cm, dont le poids est supérieur ou égal à 40 kg et dont l'indice de masse corporelle est supérieur ou égal à 16.

Pour le poids maximal de l'utilisateur autorisé pour le produit, voir *10 Caractéristiques Techniques, page 106*

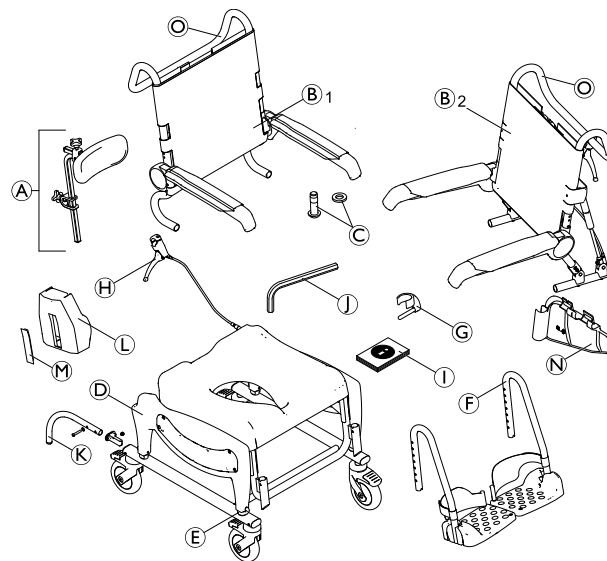
#### Indications

- Difficultés à rester debout ou à garder l'équilibre,

- faiblesses dans les jambes ou une incapacité des membres inférieurs,
- état de santé altérant l'équilibre.

Il n'existe aucune contre-indication connue, lorsque le produit est utilisé comme prévu.

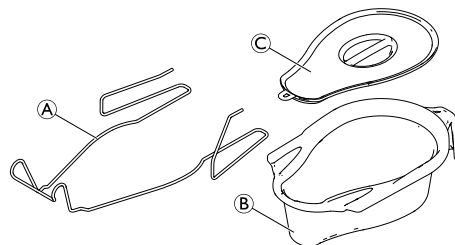
### 3.2 Pièces principales du produit



(A)	Appuie-tête
(B <sub>1</sub> )	Ocean VIP Ergo : dossier avec toile de dossier et accoudoirs

Ⓑ <sub>2</sub>	<b>Ocean Dual VIP Ergo :</b> dossier avec toile de dossier, accoudoirs et poignée d'activation pour l'inclinaison du dossier
Ⓒ	Vis (x4) et rondelles (x4) pour la fixation du dossier
Ⓓ	Châssis de l'assise avec plaque d'assise et pièces latérales avec châssis et roulettes
Ⓔ	Clips (x4) pour le réglage de la hauteur
Ⓕ	Repose-pieds avec sangles talonnières (x2)
Ⓖ	Clips (x2) pour repose-pied
Ⓗ	Poignée d'activation pour l'inclinaison du siège
Ⓘ	Manuel d'utilisation
Ⓙ	Clé Allen
Ⓚ	Dispositif anti-bascule arrière avec vis, rondelle et bouchon de montage (x2) (Ocean Dual VIP Ergo uniquement)
Ⓛ	Carénage du frein (x2)
Ⓜ	Carénage du levier de frein (x2)
Ⓝ	Protection du serrage (x2)
Ⓞ	Barre de poussée

### Support de chaise percée avec seau (en option)



Ⓐ	Support de chaise percée
Ⓑ	Seau
Ⓒ	Couvercle

## 4 Réglages (Mise en service)

### 4.1 Informations de sécurité



#### AVERTISSEMENT !

- Vérifiez les pièces afin de vous assurer de l'absence de dommages causés pendant le transport avant toute mise en service. Le cas échéant, contactez votre fournisseur.
- Lors du montage, assurez-vous que les pièces sont correctement positionnées les unes par rapport aux autres.
- Des vis/écrous autobloquants ou un adhésif frein-filet sont utilisés pour plusieurs vissages. S'ils sont desserrés, ils doivent être remplacés par de nouveaux écrous/vis autobloquants ou être refixés avec un nouvel adhésif frein-filet.



#### ATTENTION !

#### Risque de pincement

- Procédez avec précaution lors du montage.

### 4.2 Assemblage de la chaise roulante pour douche/toilettes

Cette section aborde le montage. Procédez en sens inverse pour le démontage.



Il faut régler la hauteur des accoudoirs, la hauteur des repose-pied, l'angle des repose-pied, l'appui-tête, la sangle talonnière, la tension de la toile de dossier et les accessoires/options pour répondre de façon optimale aux besoins de l'utilisateur.

#### 4.2.1 Réglage de la hauteur d'assise

Cette section aborde le montage. Procédez en sens inverse pour le démontage.

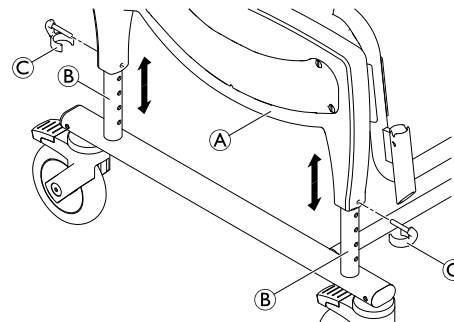


#### AVERTISSEMENT !

- Ne réglez pas la hauteur d'assise de la chaise roulante pour douche/toilettes si une personne est assise dedans.



La hauteur d'assise doit être réglée simultanément des deux côtés.



1. Soulevez légèrement la chaise roulante pour douche/toilettes par la pièce latérale A.
2. Retirez les quatre clips C (deux de chaque côté).

3. Réglez la hauteur correcte en déplaçant simultanément le châssis de l'assise vers le haut ou vers le bas sur les quatre tubes ⑥ du châssis.
4. Alignez les pièces de fixation situées sur la pièce latérale sur un trou du châssis.
5. Insérez les quatre clips de l'extérieur dans la pièce latérale, jusqu'à ce que les bords du clip entourent le tube du châssis ⑥.



#### AVERTISSEMENT !

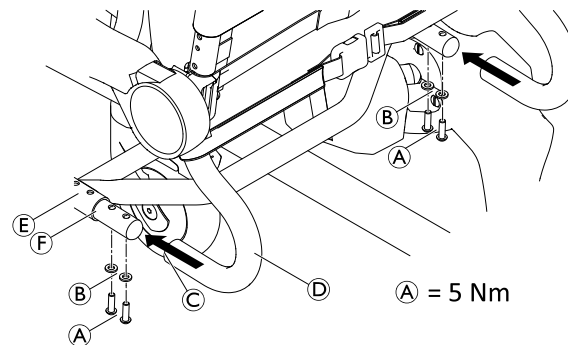
##### Risque de blessure

- Assurez-vous que les quatre clips sont correctement fixés.
- Vérifiez que les quatre tubes sont réglés à la même hauteur.



La hauteur d'assise peut être réglée pour s'adapter à différentes situations, par ex. le transfert depuis un lit ou un fauteuil roulant ou l'utilisation au-dessus des toilettes, etc.

#### 4.2.2 Installation du dossier



1. Enfoncez les quatre leviers au pied des roulettes pour bloquer celles-ci.
2. Poussez le dossier ④ par l'arrière sur le châssis de l'assise ⑤, jusqu'à ce que la bride ③ butte contre le tube de l'armature du siège ⑥.

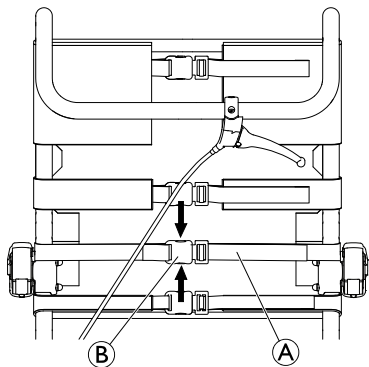


#### NOTE !

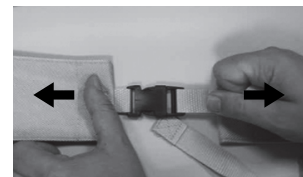
- Serrez fermement les vis au moyen de la clé Allen fournie.
  - Vérifiez régulièrement les vis afin de vous assurer qu'elles sont fixées correctement.
3. Placez une rondelle ② sur chaque vis ① et fixez le dossier de chaque côté.
  4. Serrez les vis à un couple de 5 Nm.

#### Réglage de la toile de dossier

La tension du dossier peut être réglée selon les besoins.

**AVERTISSEMENT !**

– Veillez à ce qu'au moins trois sangles soient toujours passées autour du cadre du dossier (à l'extérieur) et à ce que les boucles de ceinture soient fermées.

**AVERTISSEMENT !**

**Risque de blessure due à des boucles de sangles endommagées sur le dossier !**

Vérifiez que les boucles de sangles du dossier sont solidement fixées à chaque maintenance ou reconditionnement du produit.

- Vérifiez la fixation solide de tous les clips en fermant les boucles et en tirant sur leurs extrémités.
- Remplacez le dossier/les boucles de sangles du dossier si une boucle s'ouvre sous l'effet de la force exercée.

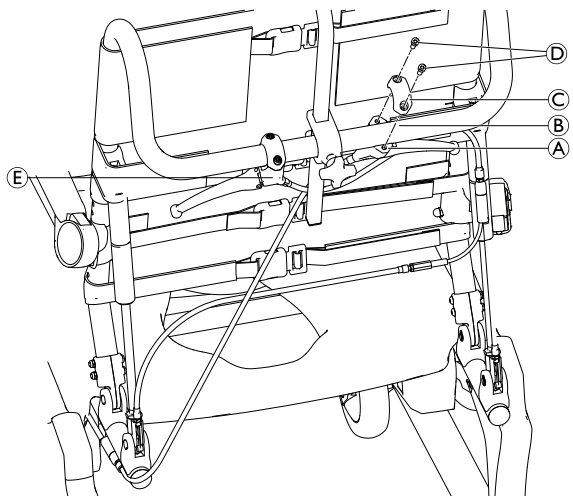
Serrage :

1. Resserrez les sangles ① de la toile de dossier.


Desserrage :

1. Ouvrez les boucles ② en comprimant les languettes de fixation (flèches).
2. Allongez légèrement les sangles dans les boucles.
3. Serrez les boucles de ceinture.
4. Resserrez délicatement les sangles.

### 4.2.3 Installation de la poignée d'activation



1. Démontez la pièce de fixation © de la poignée d'activation Ⓐ en desserrant les vis Ⓓ.
2. Positionnez la poignée d'activation Ⓐ pour l'inclinaison du siège par dessous, du côté droit du tube de la poignée Ⓑ.

 La poignée doit être légèrement tournée à l'intérieur vers le dossier.

3. Installez la poignée d'activation sur le tube de la poignée en utilisant la pièce de fixation © et les vis Ⓓ.



Pour l'Ocean Dual VIP Ergo, la poignée d'activation Ⓔ pour l'inclinaison du dossier est déjà installée sur le côté gauche du tube de la poignée. La position de la poignée d'activation peut être modifiée si nécessaire.

### 4.2.4 Installation et démontage de la plaque d'assise

#### Installation

1. Placez la plaque d'assise sur l'armature du siège avec la découpe orientée vers l'avant.
2. Avec le plat de la main, enfoncez la plaque d'assise sur les côtés, puis à l'avant et à l'arrière jusqu'à ce qu'elle s'enclenche sur l'armature du siège.

#### Démontage

1. Tirez la plaque d'assise vers le haut à l'arrière.

### 4.2.5 Réglage de la hauteur de l'accoudoir

1. Ouvrez la boucle de ceinture de la toile de dossier qui passe à l'intérieur du cadre du dossier.
2. Ouvrez la boucle de ceinture sur la toile de dossier, qui passe au-dessus de l'accoudoir.



Quand la ceinture est positionnée plus bas, la ceinture au-dessous de l'accoudoir doit être ouverte.

3. Faites passer cette sangle à l'intérieur du châssis du dossier et refermez la boucle.

4.

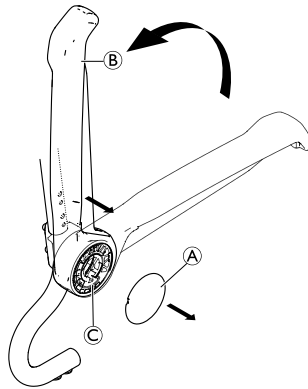


Fig. 4-1

Retirez le chapeau de valve (A).

5. Repliez l'accoudeur (B) pour le retirer du support d'accoudeur (C).

6.

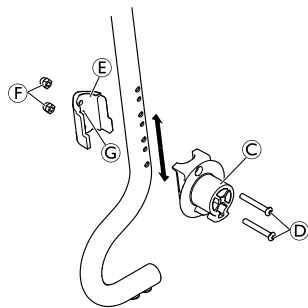


Fig. 4-2

Retirez les vis (D) du support d'accoudeur (C) à l'aide de la clé Allen fournie.

7. Retirez le dispositif de fixation (E) et les écrous (F) de l'intérieur du cadre du dossier.



Les écrous sont insérés sans être serrés dans le dispositif de fixation et risquent de tomber.

8. Pour réinstaller le support d'accoudeur et fixer le dispositif de fixation dans la position souhaitée, insérez les vis (D) dans le support d'accoudeur et guidez-les dans les trous souhaités du cadre du dossier.



Les trous les plus petits à l'intérieur du cadre du dossier permettent de fixer le dispositif de fixation.

9. Placez le dispositif de fixation de manière à ce que la fixation (G) du dispositif de fixation s'enclenche dans un trou plus petit.

10. Serrez les vis (D) à 5 - 6 Nm et les écrous (F).

11.

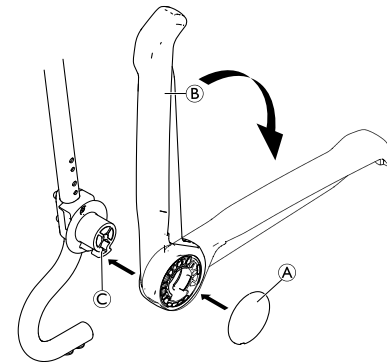



Fig. 4-3

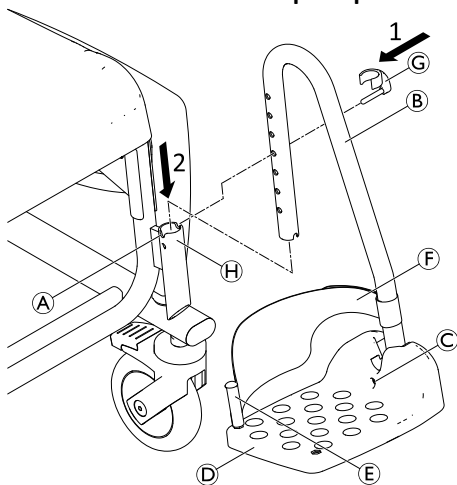
Réinstallez l'accoudeur (B) sur le support (C).

12. Repliez l'accoudeur.


13. Réinstallez le cache (A).
14. Faites passer la sangle de la toile de dossier toujours ouverte à l'extérieur du cadre du dossier, fermez les boucles de sangle et serrez toutes les sangles.
15. La procédure de réglage de la hauteur est identique pour l'accoudoir droit et gauche.

 Pour monter des accessoires/options, il est possible d'ouvrir la troisième sangle par le haut et de faire passer la toile de dossier par le cadre du dossier de l'intérieur.


#### 4.2.6 Installation des repose-pieds



1. Insérez la broche du clip (G) par l'extérieur dans le trou souhaité sur le repose-pied (B). Vérifiez que le clip s'enclenche autour du tube.
2. Poussez le repose-pied dans le guide (H) à l'avant de la pièce latérale jusqu'à ce que la broche du clip (G) s'engage dans la rainure (A). Le repose-pied ne peut plus être tourné sur le côté.


 La procédure de montage est identique pour le repose-pied droit et gauche.

#### Réglage de la hauteur des repose-pieds

 Les repose-pieds peuvent être raccourcis si nécessaire (reportez-vous au manuel de maintenance). Le raccourcissement des repose-pieds doit impérativement être confié à un technicien qualifié.

1. Tirez légèrement le repose-pied (B) vers le haut.
2. Tirez le clip (G) hors du trou du repose-pied et réinsérez-le dans le trou souhaité. Ressortez légèrement le repose-pied si nécessaire.
3. Enfoncez le repose-pied jusqu'à ce que la rainure (A) s'engage dans la broche du clip.
4. Réglez l'autre repose-pied à la hauteur requise, comme décrit.

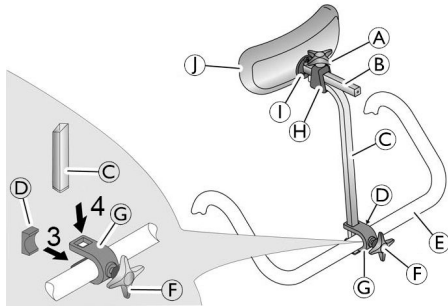
#### Réglage de l'inclinaison des palettes repose-pied

 L'inclinaison des palettes repose-pied peut être réglée de façon variable et progressivement.



1. Desserrez la vis Allen © de la palette repose-pieds à l'aide d'une clé Allen de 4.
2. Tournez la palette repose-pieds © à la position requise.
3. Resserrez la vis Allen.

#### 4.2.7 Installation de l'appui-tête



1. Utilisez la molette cannelée © pour insérer la vis légèrement dans la bride ©.
2. Poussez la bride avec la vis sur la poignée du dossier © par l'arrière, la vis s'engageant dans le trou de la poignée du dossier.
3. Insérez la plaque © par l'avant dans la bride de telle façon que les deux languettes de la plaque soient dirigées l'une en bas et l'autre en haut et que le côté incurvé de la plaque soit en contact avec la poignée du dossier.
4. Poussez le tube de réglage de la hauteur © par le haut dans les encoches de la bride.
5. Utilisez la molette cannelée pour serrer la vis jusqu'à ce que le tube de réglage de la hauteur soit en place.

6. Poussez le coussin ① et le support de coussin © sur le support © du tube de réglage de la hauteur.
7. Utilisez la molette cannelée © pour serrer la vis supérieure jusqu'à ce que le support de coussin soit en place.



Pour ajuster le tube de réglage de la hauteur en fonction de l'utilisateur, il est possible de le monter avec la partie incurvée dirigée vers l'avant ou l'arrière.

Le coussin de l'appui-tête ① peut être retiré et remplacé par des coussins de forme différente (en option). Pour le retirer, desserrez les boulons de fixation ①.

#### Réglage de la longueur de l'appui-tête



Les tubes d'appui-tête © et © peuvent être raccourcis si nécessaire (voir le manuel de maintenance) Le raccourcissement du tube de l'appui-tête doit impérativement être confié à un technicien qualifié.

## 4.2.8 Installation des dispositifs anti-bascule arrière



### AVERTISSEMENT !

#### Risque de basculement

Risque de blessure grave sur l'Ocean Dual VIP Ergo lorsque le dossier est incliné. Le fauteuil roulant risque de basculer entièrement vers l'arrière.

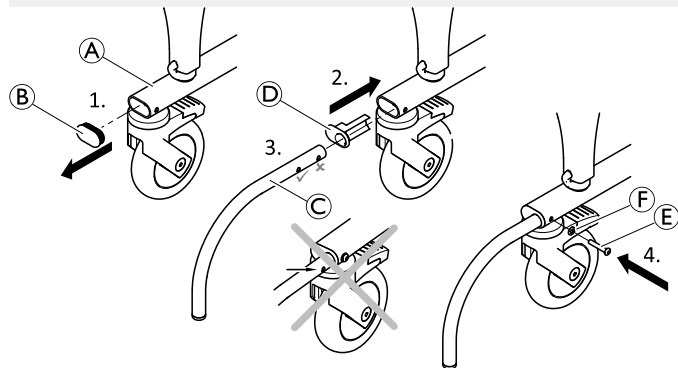
– Avant d'utiliser l'Ocean Dual VIP Ergo, vérifiez que les deux dispositifs anti-bascule arrière sont installés.



### AVERTISSEMENT !

#### Risque de blessure

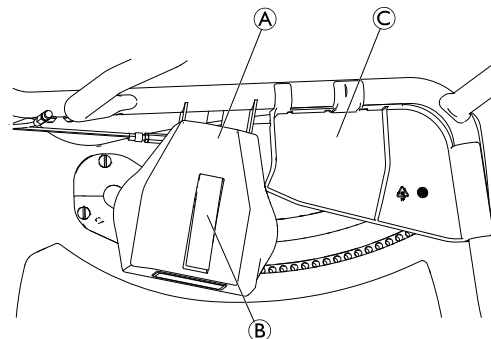
– Ne jamais se tenir debout sur les dispositifs anti-bascule.



1. Retirez le cache (B) du châssis (A).
2. Fixez le bouchon de montage (D) sur le châssis.
3. Insérez le tube de dispositif anti-bascule (C).

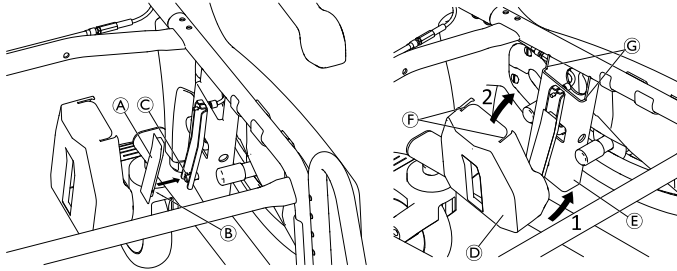
4. Fixez le dispositif anti-bascule en utilisant le deuxième trou et la vis (E) avec la rondelle (F).
5. Installez le deuxième dispositif anti-bascule de l'autre côté.

## 4.2.9 Installation/démontage des carénages de freins / protection de serrage



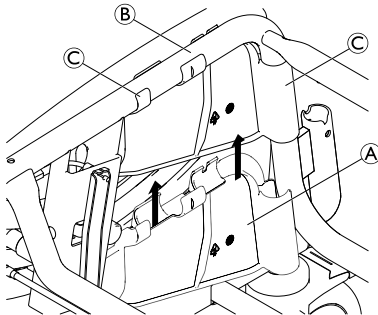
(A)	Carénage du frein
(B)	Carénage du levier de frein
(C)	Protection du serrage

## Carénage du frein



1. Fixez la protection du levier de frein (A) en accrochant la fente (B) sur le petit arbre (C).
2. Positionnez la partie inférieure du carénage du frein (D) de façon inclinée, par dessus le boîtier de frein (E).
3. Rabattez la partie supérieure du carénage du frein sur le boîtier de frein, de façon à ce que les encoches (F) soient sur le même plan que les bords (G).
4. Installez le deuxième carénage de frein de l'autre côté.

## Protection du serrage



1. Installez la protection du serrage (A) en fixant sur les tubes du châssis (B). Vérifiez que tous les clips (C) sont bien engagés.
2. Installez la deuxième protection de serrage de l'autre côté.

## 4.3 Montage des accessoires et options

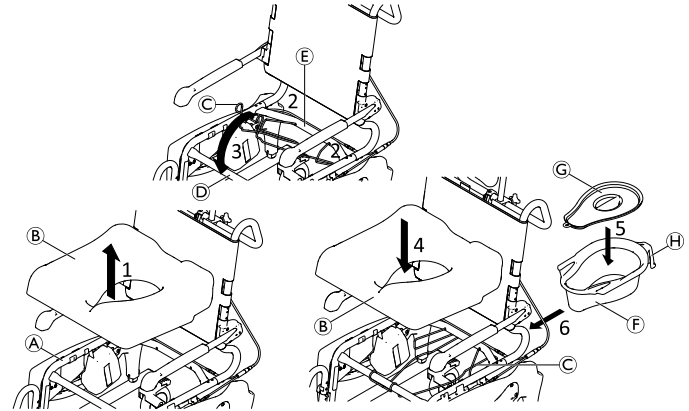


### AVERTISSEMENT !

#### Risque de blessure


– Il est nécessaire d'effectuer le montage des accessoires et des options conformément aux instructions correspondantes.


### 4.3.1 Installation/démontage du support de cuvette de toilettes et de la cuvette de toilettes

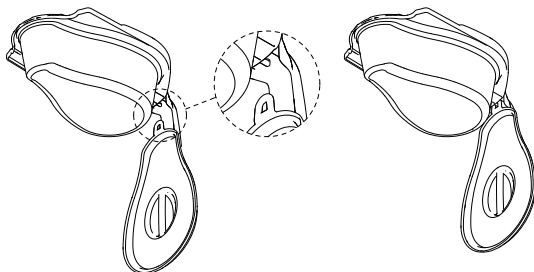


La cuvette de toilettes (F) peut être installée/retirée avec ou sans le couvercle (G).

1. Retirez la plaque d'assise **B** du châssis **A**.
2. Positionnez les extrémités du support de chaise percée **C** dans les trous du tube transversal arrière **E**.
3. Engagez la partie avant du support de chaise percée avec le tube transversal avant **D**.
4. Réinstallez le plaque d'assise sur le châssis.
5. Placez le couvercle ou retirez-le de la cuvette de toilettes.
6. Tenez la cuvette de toilettes par sa poignée **H** et insérez-la par l'arrière entre le support de chaise percée et le siège.

 Poussez légèrement vers le bas la cuvette de toilettes lors de l'insertion ou du démontage.

 Le couvercle peut être suspendu sur le crochet en plastique situé sur la face inférieure de la poignée de la cuvette de toilettes.



## 5 Utilisation

### 5.1 Informations de sécurité



#### AVERTISSEMENT !

- Utilisez uniquement la chaise roulante pour douche/toilettes sur une surface plane et à l'intérieur.
- Respectez les spécifications figurant sur l'autocollant d'identification. Ne surchargez pas la chaise roulante pour douche/toilettes.
- Respectez les consignes de sécurité figurant sur les autocollants apposés au dos de l'appui-tête et sur la poignée du dossier *2.2 Étiquettes et symboles figurant sur le produit, page 78*.
- Ne placez pas de poids excessif sur la chaise roulante pour douche/toilettes.
- Effectuez toujours une inspection visuelle du produit afin de déceler toute détérioration avant chaque usage.



#### AVERTISSEMENT !

##### Risque de roulement ou de glissement

- Avant utilisation, vérifiez que l'assise est solidement fixée au châssis de l'assise.
- Verrouillez toutes les roulettes à levier à l'aide des pédales avant de vous asseoir sur la chaise roulante pour douche/toilettes ou de vous relever, ainsi qu'en position d'arrêt.



#### AVERTISSEMENT !

##### Risque de basculement

- Faites pivoter les repose-pieds sur le côté ou repliez les palettes repose-pieds avant de vous asseoir ou de vous mettre debout.
- Avant de vous asseoir ou de vous mettre debout, tournez les roulettes avant de manière à ce que le blocage soit orienté vers l'avant.
- Ne vous tenez jamais debout sur les repose-pieds.
- Ne vous penchez pas excessivement à l'avant.
- Ne poussez l'utilisateur assis sur la chaise roulante pour douche/toilettes que lorsque le châssis de l'assise et le dossier sont réglés en position droite.
- Ne transférez l'utilisateur depuis ou sur la chaise roulante pour douche/toilettes que lorsque le châssis de l'assise et le dossier sont réglés en position droite.
- Ne démontez en aucun cas les ressorts pneumatiques (Ocean Dual VIP Ergo uniquement).



#### AVERTISSEMENT !

##### Risque de blessure !

- Avant d'utiliser le coussin d'assise variable (en option), il est nécessaire de mettre en place les protections latérales.



**AVERTISSEMENT !**

**Risque de basculement vers l'arrière !**

- L'Ocean Dual VIP Ergo ne doit être utilisé que si les dispositifs anti-basculer arrière sont installés.



**AVERTISSEMENT !**

**Risque de basculement**

- La chaise roulante pour douche/toilettes ne doit être déplacée qu'en utilisant la barre de poussée.



**ATTENTION !**

**Risque de brûlure cutanée**

Les composants du produit peuvent s'échauffer en cas d'exposition à des sources de chaleur externes.

- Faites attention aux surfaces portées à haute température lorsque vous utilisez la chaise roulante pour douche/toilettes dans un sauna ou lorsqu'elle est exposée à de l'eau très chaude.
- N'exposez pas le produit au rayonnement direct du soleil avant de l'utiliser.



**ATTENTION !**

**Risque de coincement dû au mécanisme d'inclinaison**

- Lors de l'inclinaison de l'armature du siège ou du dossier, assurez-vous que les bras de l'utilisateur sont placés sur les accoudoirs ou pliés à l'avant du corps.
- Vérifiez que la protection du serrage est installée sur le châssis, reportez-vous au chapitre 4.2.9 *Installation/démontage des carénages de freins / protection de serrage, page 90.*



**NOTE !**

**Risque de rupture de l'appui-tête**

- Orientez ou poussez la chaise roulante pour douche/toilettes uniquement avec la poignée située sur le dossier, jamais avec l'appui-tête.



**NOTE !**

**Risque d'endommagement du produit**

- Ne vous servez pas des repose-pieds, des accoudoirs ou d'accessoires/d'options pour soulever la chaise roulante pour douche/toilettes.



Dans le cas des utilisateurs présentant un risque élevé de monter sur les repose-pieds (par ex. les personnes atteintes de démence), des dispositifs anti-basculer avant (en option) sont disponibles pour empêcher la chaise roulante pour douche/toilettes de basculer en avant.

## 5.2 Rotation des accoudoirs

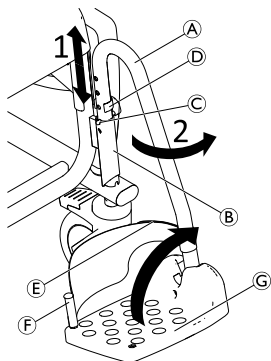


### ATTENTION !

#### Risque de pincement des doigts

- Ne mettez pas les doigts entre les accoudoirs et le dossier lorsque vous pliez les accoudoirs.

## 5.3 Pivot des repose-pieds



### Position d'entrée/position de sortie :

1. Tirez légèrement le repose-pied (A) vers le haut dans le guide (B) jusqu'à ce que la broche du clip (D) ne s'engage plus dans la rainure (C).
2. Faites pivoter le repose-pied sur le côté.

### Position de conduite :



### ATTENTION !

#### Risque d'accident si le repose-pied est ballant

- Fixez que les repose-pieds sont en position de conduite.

1. Faites pivoter le repose-pied (A) vers l'intérieur.
2. Poussez le repose-pied vers le bas jusqu'à ce que la broche du clip (D) s'engage dans la rainure (C).



Il est aussi possible de faire basculer les palettes repose-pieds (C) vers le haut pour entrer/sortir de la chaise roulante pour douche/toilettes.

### Remplacement de la sangle talonnière

1. Ouvrez la bande autoagrippante (E) de la sangle talonnière.
2. Retirez la vis (F) du dessous de la palette repose-pieds.
3. Retirez la sangle talonnière de la broche en plastique flexible.



Pour fixer la boucle, procédez en sens inverse.



Lors de l'installation, assurez-vous que la bande autoagrippante de la sangle talonnière est orientée vers l'arrière.

## 5.4 Inclinaison de l'armature du siège avec le dossier



### NOTE !

– Ne passez jamais le bras entre les pièces latérales et le châssis à tubes lors de l'inclinaison.

### Inclinaison vers l'arrière/l'avant



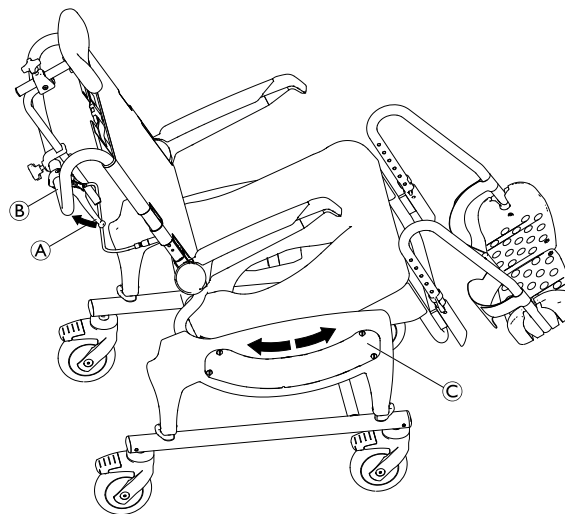
Le châssis de l'assise peut être incliné avec le dossier d'env. 40° en arrière.



Des butoirs d'inclinaison (en option) sont disponibles en option en tant qu'accessoires pour empêcher le produit de basculer vers l'avant à un angle inférieur à 0°.



Avec les deux hauteurs d'assise les plus basses, il n'est pas possible d'utiliser la plage de réglage complète du repose-pied. Avant utilisation, vérifiez que les repose-pieds ne touchent pas le sol lorsque le siège est incliné vers l'avant. Si nécessaire, réglez à nouveau la hauteur d'assise ou la hauteur du repose-pied en conséquence.



### ATTENTION !

#### Risque de pincement

Vous pouvez vous coincer les doigts ou les mains dans le mécanisme d'inclinaison.

– Avant chaque utilisation, vérifiez que les protections des pièces latérales © du mécanisme d'inclinaison sont correctement montées.

1. Enfoncez les quatre leviers au pied des roulettes pour bloquer celles-ci.
2. Tenez la chaise de douche par sa barre de poussée ©.
3. Tirez sur la poignée d'activation © et maintenez-la dans cette position.



4. Réglez l'inclinaison requise en poussant vers le bas ou vers le haut la poignée ②.
5. Relâchez la poignée d'activation et laissez les broches du mécanisme d'inclinaison s'engager dans les trous les plus proches. Le châssis de l'assise est réglé en fonction de l'inclinaison.

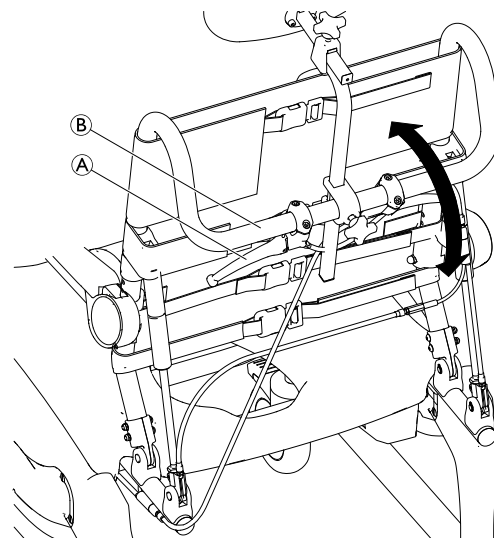
## 5.5 Inclinaison du dossier (Ocean Dual VIP Ergo uniquement)



### ATTENTION !

#### Risque de coincement des doigts entre le support d'accouider et la pièce latérale

- Ne placez jamais la main dans la zone située entre le support d'accouider et la pièce latérale lors de l'inclinaison de l'armature du siège vers l'arrière ou de l'abaissement du dossier.
- Lors de l'inclinaison de l'armature du siège ou du dossier, assurez-vous que les bras de l'utilisateur sont placés sur les accoudoirs ou pliés à l'avant du corps.




1. Enfoncez les quatre leviers au pied des roulettes pour bloquer celles-ci.
2. Tenez la chaise de douche par sa barre de poussée ②.
3. Tirez sur la poignée d'activation ① et maintenez-la dans cette position.



La poignée d'activation est équipée d'un dispositif de blocage. Pour activer la poignée, le dispositif de blocage doit être préalablement tiré.

4. Inclinez le dossier à la position voulue.
5. Libérez la poignée d'activation pour fixer le dossier dans la position actuelle.

-  Une force supplémentaire est nécessaire pour incliner vers l'arrière sans utilisateur assis. Inclinaison automatique vers le haut sans utilisateur assis lorsque la poignée d'activation est tirée.

## 5.6 Enclenchement/desserrage des freins de roulettes

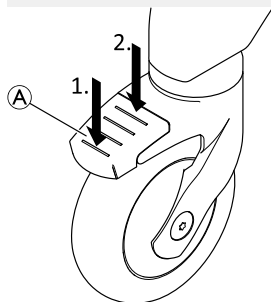





### ATTENTION !

#### Risque de coincement/pincement

Tous les dispositifs de verrouillage des roulettes sont actionnés au pied.

– N'actionnez pas les dispositifs de verrouillage des roulettes avec la main.



1. Pour actionner les dispositifs de verrouillage des roulettes, appuyez avec le pied sur l'extrémité arrière de la pédale  jusqu'à ce qu'elle s'enclenche.  
  
 La roulette est maintenant verrouillée et ne peut plus pivoter.
2. Pour déverrouiller les dispositifs de verrouillage des roulettes, appuyez avec le pied sur l'extrémité avant de la pédale A jusqu'à ce qu'elle se libère.  
  
 La roue équipée d'un levier bleu (verrou directionnel en option) enclenche le verrou pivotant pour faciliter un déplacement en ligne droite.

---

## 6 Transport

---

### 6.1 Informations de sécurité



Il est possible, en vue du transport, de désassembler le produit pour obtenir les composants fournis à la livraison, voir chapitre 3.2 *Pièces principales du produit*, page 81.

1. Démontez l'appareil, voir chapitre 4 *Réglages (Mise en service)*, page 83 en procédant dans l'ordre inverse de la procédure de montage.



#### **NOTE !**

- **Risque d'endommagement du produit**
  - Transportez le produit dans un endroit sec.
  - Conservez le produit à l'abri de la lumière directe du soleil.
  - Consultez les conditions de stockage et de transport figurant au chapitre 10.3 *Paramètres environnementaux*, page 108



#### **NOTE !**

- – Des vis/écrous autobloquants ou un adhésif frein-filet sont utilisés pour plusieurs vissages. S'ils sont desserrés, ils doivent être remplacés par de nouveaux écrous/vis autobloquants ou être refixés avec un nouvel adhésif frein-filet.

## 7 Maintenance

### 7.1 Maintenance et inspection

Aucune maintenance du produit n'est nécessaire si les instructions de sécurité et de nettoyage indiquées ci-dessous sont respectées.

Pour garantir une bonne performance et la sécurité, les vérifications suivantes doivent être effectuées régulièrement :

- Vérifiez que le produit et les accessoires/options ne présentent pas de dommages. N'utilisez pas le produit s'il est défectueux.
- Vérifiez la fonction d'inclinaison sur le châssis de l'assise et le dossier (Ocean Dual VIP Ergo). L'inclinaison doit être facile et le verrouillage doit obligatoirement être sécurisé.
- Si la fonction d'inclinaison à un angle inférieur à 0° n'est pas possible, retirez les butoirs d'inclinaison (en option) si nécessaire.
- En cas de dommage ou de dysfonctionnement, il est recommandé de contacter le fournisseur.
- Assurez-vous que le produit est monté correctement et que toutes les protections et vis sont bien serrées.



#### **AVERTISSEMENT !**

##### **Risque de blessure et de dommage matériel**

Si le produit n'est pas ajusté correctement, il peut provoquer des accidents et des blessures graves.

- Le produit doit être réparé par un technicien compétent.
- Les pièces endommagées doivent être remplacées par un technicien qualifié.
- Utilisez uniquement les pièces de rechange originales Invacare.

### 7.2 Nettoyage et désinfection

#### 7.2.1 Informations de sécurité générales



#### **ATTENTION !**

##### **Risque de contamination**

- Prenez toutes les précautions nécessaires pour vous protéger et portez un équipement de protection adéquat.

**! AVIS !**

Des méthodes ou des liquides inappropriés risqueraient de blesser quelqu'un ou d'endommager le produit.

- Tous les désinfectants et agents de nettoyage utilisés doivent être efficaces, compatibles entre eux et protéger les surfaces qu'ils sont censés nettoyer.
- N'utilisez jamais d'agents de nettoyage corrosifs (alcalins, acides, etc.) ou abrasifs. Nous recommandons d'utiliser un agent de nettoyage ménager ordinaire, comme du liquide vaisselle, sauf indication contraire dans les instructions de nettoyage.
- N'utilisez jamais de solvant (diluants cellulose, acétone, etc.) qui modifie la structure du plastique ou dissout les étiquettes apposées.
- Procédez à un séchage complet du produit avant toute nouvelle utilisation.



Pour le nettoyage et la désinfection en environnement clinique ou de soins à long terme, suivez les procédures internes.

**7.2.2 Fréquence de nettoyage****! AVIS !**

- Une désinfection et un nettoyage réguliers garantissent un bon fonctionnement, augmentent la durée de vie et permettent d'éviter toute contamination. Une désinfection et un nettoyage réguliers garantissent un bon fonctionnement, augmentent la durée de vie et permettent d'éviter toute contamination.
- régulièrement lors de l'utilisation,
  - avant et après toute procédure d'entretien,
  - lorsqu'il a été en contact avec des fluides corporels, quels qu'ils soient,
  - avant de l'utiliser pour un nouvel utilisateur.

**7.2.3 Nettoyage**


Ce produit peut être nettoyé au moyen de produits disponibles dans le commerce.

**Nettoyage dans un environnement domestique**

1. Retirez les éventuels accessoires/options montés (uniquement les accessoires/options qui ne nécessitent pas d'outils).
2. Retirez les repose-pieds des guides.
3. Retirez la plaque d'assise et la toile de dossier.
4. Démontez les carénages de freins et les protections de serrage, reportez-vous au chapitre 4.2.9 *Installation/démontage des carénages de freins / protection de serrage, page 90.*
5. Essuyez les différentes pièces à l'aide d'un chiffon ou d'une brosse et avec des agents de nettoyage et désinfectants disponibles dans le commerce.

6. Rincez ensuite à l'eau chaude.
7. Essuyez les pièces avec un chiffon sec.
8. Remontez le produit ; reportez-vous au chapitre 4 *Réglages (Mise en service), page 83.*

### Nettoyage dans un environnement clinique

-  En plus du nettoyage décrit ci-dessus, nous recommandons de nettoyer le produit avant qu'il soit utilisé par un autre patient, à la fin d'une période d'utilisation ou de façon régulière (au premier des deux termes atteint) à
- 90 °C pendant 1 minute
  - 85 °C pendant 3 minutes
  - 80 °C pendant 10 minutes
- à l'autoclave.



#### **ATTENTION !**

##### **Risque de brûlure cutanée**

- Après le nettoyage, laissez le produit refroidir dans la machine ou l'autoclave.

### Nettoyage de la toile de dossier

1. Retirez la toile de dossier.
2. Lavez la toile en machine à une température maximale de 60 °C et avec un détergent doux.



#### **NOTE !**

##### **Risque de dommage matériel**

- Le lavage à des températures supérieures peut provoquer des dommages.
- Pas de sèche-linge.



#### **NOTE !**

- Un nettoyage excessif peut endommager le textile.
- Nous recommandons de remplacer la toile de dossier tous les deux ans par mesure d'hygiène.

### Nettoyage de la cuvette de toilettes (facultatif)

Vous pouvez nettoyer la cuvette de toilettes dans un autoclave en respectant les températures et durées suivantes :

- 90 °C pendant 1 minute
- 85 °C pendant 3 minutes
- 80 °C pendant 10 minutes.

#### **7.2.4 Instructions de désinfection**



Des informations complémentaires sur les méthodes et les désinfectants recommandés peuvent être consultées à l'adresse <https://vah-online.de/en/for-users>.

#### **Pour les soins à domicile**

Méthode : suivez les consignes d'application du désinfectant utilisé et essuyez toutes les surfaces accessibles pour les désinfecter.

Désinfectant : désinfectant ordinaire à usage domestique.

Séchage : Laissez sécher le produit à l'air.

#### **Pour les soins cliniques et à long terme**

Suivez vos procédures de désinfection internes et utilisez uniquement les désinfectants et méthodes préconisés.

## 8 Après l'utilisation

### 8.1 Stockage



#### AVERTISSEMENT !

#### Risque d'endommagement du produit

- Entreposez le produit dans un endroit sec.
- N'entreposez pas le produit près de sources de chaleur.
- Conservez le produit à l'abri de la lumière directe du soleil.
- Consultez les conditions de stockage et de transport figurant au chapitre *10.3 Paramètres environnementaux, page 108*



Après une période de stockage prolongée, il est possible qu'une force plus importante soit nécessaire pour déclencher le ressort pneumatique (Ocean Dual VIP Ergo uniquement).

### 8.2 Reconditionnement

Ce produit peut être réutilisé. Pour reconditionner le produit en vue de son utilisation par un nouvel utilisateur, il convient d'effectuer les opérations suivantes :

- Examen
- Nettoyage et désinfection

Pour plus d'informations, reportez-vous à la section 7 *Maintenance, page 100* et au manuel de maintenance de ce produit.

Assurez-vous de remettre le manuel d'utilisation avec le produit.

Si un dommage ou un dysfonctionnement est détecté, le produit ne doit pas être réutilisé.

### 8.3 Mise au rebut

Préservez l'environnement en faisant recycler ce produit en fin de vie dans un centre de recyclage.

Désassemblez le produit et ses composants afin que les différents matériaux puissent être séparés et recyclés individuellement.

La mise au rebut et le recyclage des produits usagés et de l'emballage doivent respecter la législation et les règlements relatifs à la gestion des déchets de chaque pays. Contactez votre organisme local de traitement des déchets pour plus d'informations.

## 9 Dépannage

### 9.1 Identification et résolution des pannes



Le tableau suivant fournit des informations sur les défaillances et leurs causes possibles. Si les solutions proposées ne permettent pas de résoudre le problème, veuillez contacter directement votre fournisseur.

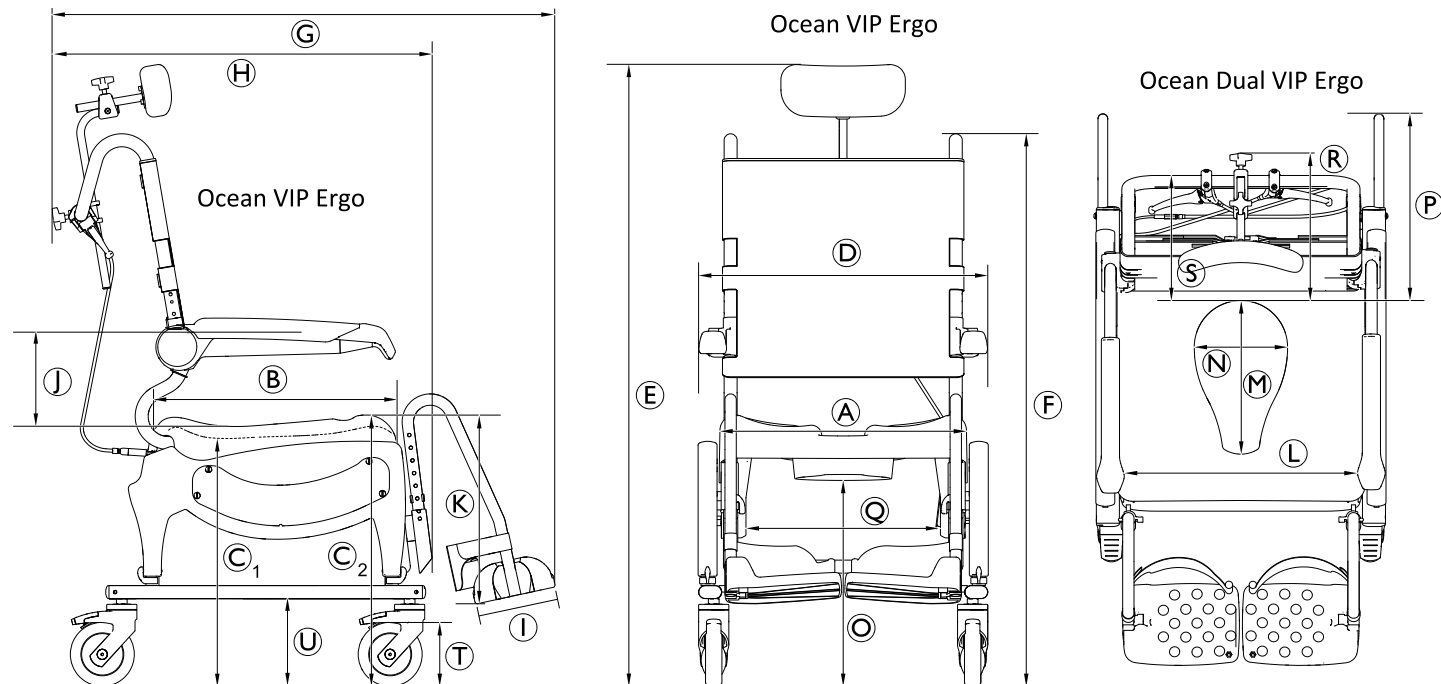
Dysfonctionnement	Cause possible	Solution
Difficulté à régler la hauteur d'assise	Saletés entre l'armature du siège et la pièce latérale	Démontez le châssis et nettoyez soigneusement le châssis et la pièce latérale.
Il est difficile, voire impossible de tourner les roulettes	Saletés entre la fourche et la jante	Nettoyez soigneusement les roulettes
Difficulté à pousser les repose-pieds sur le côté	Dépôts dans les guides	Nettoyez soigneusement les repose-pieds et les guides
Impossible d'incliner le châssis de l'assise avec le dossier	Dépôts dans le mécanisme d'inclinaison	Retirez le carénage du frein et la protection du levier de frein et nettoyez soigneusement le mécanisme d'inclinaison.
	Câble Bowden mal ajusté	Le câble Bowden doit être réglé par un technicien qualifié
Force plus importante nécessaire pour déclencher le ressort pneumatique (Dual VIP)	Stockage prolongé	Inclinez plusieurs fois de suite le dossier
Impossible d'incliner le dossier (Dual VIP)	Câble Bowden mal ajusté	Le câble Bowden doit être réglé par un technicien qualifié



<b>Dysfonctionnement</b>	<b>Cause possible</b>	<b>Solution</b>
Bruit de cliquetis pendant l'inclinaison du châssis de l'assise avec dossier.	Câble Bowden mal ajusté	Le câble Bowden doit être réglé par un technicien qualifié
	La poignée d'activation n'est pas complètement tirée	Tirez complètement la poignée d'activation.

## 10 Caractéristiques Techniques

### 10.1 Dimensions et poids



	Ocean VIP Ergo	Ocean VIP Ergo XL*	Ocean Dual VIP Ergo
(A)		480 mm	
(B)		480 mm	

	Ocean VIP Ergo	Ocean VIP Ergo XL*	Ocean Dual VIP Ergo
© <sub>1</sub>	475 mm – 600 mm		
© <sub>2</sub>	533 mm – 658 mm		
©	565 mm	645 mm	565 mm
©	env. 1 052 mm – 1 340 mm (en position d'assise neutre)		
©	env. 1 052 mm – 1 202 mm (en position d'assise neutre)		
©	env. 1 000 mm Incliné : env. 1 520 mm Incliné et dossier basculé (Ocean Dual VIP uniquement) : env. 1700 mm		
©	env. 742 mm		
©	160 mm		
©	213 mm / 251 mm / 289 mm		
©	319 mm – 469 mm (par incréments de 25 mm)		
©	475 mm	535 mm	475 mm
©	350 mm (haut) / 300 mm (bas)		
©	250 mm (haut) / 182 mm (bas)		
©	400 mm – 525 mm		
©	—	—	380 mm
©	385 mm		
©	295 mm		—
©	230 mm		—
©	Æ 5" (127 mm)		

	Ocean VIP Ergo	Ocean VIP Ergo XL*	Ocean Dual VIP Ergo
Ⓢ	172 mm		
Angle d'inclinaison de l'assise	-5° – 40°		
Angle d'inclinaison du dossier	—	—	5° – 35°
Diamètre de braquage	2200 mm		
Largeur de retournement	1140 mm		1 290 mm
Poids du produit	23.5 kg		28.3 kg
Poids maximal de l'utilisateur	150 kg		

\* Les accoudoirs XL sont disponibles en option.

## 10.2 Matériaux

Châssis	Acier inoxydable, poudré
Plaque d'assise	Polypropylène, renforcement fibre de verre
Toile de dossier	Nylon, enduit PVC
Palettes	Polypropylène, renforcement fibre de verre
Accoudoir	Polyamide, renforcement fibre de verre
Roulettes	Plastiques et acier inoxydable

Tous les composants du produit sont résistants à la corrosion et exempts de latex de caoutchouc naturel.

## 10.3 Paramètres environnementaux

Conditions de fonctionnement	
Température ambiante	10 °C - 65 °C
Humidité relative	15 % - 93 %, sans condensation
Pression atmosphérique	795 - 1060 hPa
Conditions de stockage et de transport	
Température ambiante	0 °C - 65 °C
Humidité relative	30 % - 75 %, sans condensation
Pression atmosphérique	795 - 1060 hPa

# Sommario

Il presente manuale deve essere fornito all'utilizzatore del prodotto. PRIMA di utilizzare il prodotto, È NECESSARIO leggere il presente manuale e conservarlo per poterlo consultare in futuro.

<b>1 Generale</b>	<b>110</b>
1.1 Introduzione	110
1.2 Simboli in questo documento	110
1.3 Informazioni sulla garanzia	111
1.4 Conformità	111
1.4.1 Norme specifiche di prodotto	111
1.5 Durata	111
<b>2 Sicurezza</b>	<b>112</b>
2.1 Informazioni per la sicurezza	112
2.2 Etichette e simboli sul prodotto	113
<b>3 Panoramica del prodotto</b>	<b>116</b>
3.1 Uso previsto	116
3.2 Componenti principali del prodotto	116
<b>4 Messa in servizio</b>	<b>118</b>
4.1 Informazioni per la sicurezza	118
4.2 Montaggio della sedia da doccia e toilette	118
4.2.1 Regolazione dell'altezza del sedile	118
4.2.2 Installazione dello schienale	119
4.2.3 Installazione della leva di attivazione	121
4.2.4 Montaggio e smontaggio della piastra del sedile	121
4.2.5 Regolazione dell'altezza del bracciolo	121
4.2.6 Montaggio dei poggiapiedi	123
4.2.7 Montaggio del poggiatesta	124
4.2.8 Installazione dei dispositivi antiribaltamento posteriori	124
4.2.9 Installazione/rimozione dei coperchi dei freni / dei coperchi di protezione dei dispositivi di fissaggio	125

4.3 Montaggio di accessori e opzioni	126
4.3.1 Installazione/rimozione del supporto della padella e della padella	126
<b>5 Uso</b>	<b>128</b>
5.1 Informazioni per la sicurezza	128
5.2 Rotazione dei braccioli	129
5.3 Rotazione dei poggiapiedi	130
5.4 Inclinazione del telaio del sedile con lo schienale	130
5.5 Inclinazione dello schienale (solo Ocean Dual VIP Ergo)	132
5.6 Innesco/disinnesco dei dispositivi di bloccaggio delle ruote orientabili	133
<b>6 Trasporto</b>	<b>134</b>
6.1 Informazioni per la sicurezza	134
<b>7 Manutenzione</b>	<b>135</b>
7.1 Manutenzione e controllo	135
7.2 Pulizia e disinfezione	135
7.2.1 Informazioni generali sulla sicurezza	135
7.2.2 Intervalli di pulizia	136
7.2.3 Pulizia	136
7.2.4 Istruzioni per la disinfezione	137
<b>8 Dopo l'utilizzo</b>	<b>138</b>
8.1 Conservazione	138
8.2 Ricondizionamento	138
8.3 Smaltimento	138
<b>9 Guida alla soluzione dei problemi</b>	<b>139</b>
9.1 Identificazione e riparazione dei guasti	139
<b>10 Dati Tecnici</b>	<b>141</b>
10.1 Dimensioni e peso	141
10.2 Materiali	143
10.3 Parametri ambientali	143

# 1 Generale

## 1.1 Introduzione

Il presente manuale d'uso contiene informazioni importanti sul trattamento del prodotto. Per garantire la sicurezza di utilizzo del prodotto, leggere attentamente il manuale d'uso e seguire le istruzioni di sicurezza.

Utilizzare questo prodotto solo se il presente manuale è stato letto e compreso. Richiedere un ulteriore consiglio da parte di un operatore sanitario che ha familiarità con le proprie condizioni mediche e chiarire tutte le domande riguardanti l'uso corretto e la regolazione necessaria con il personale medico.

Si noti che alcune sezioni contenute nel presente documento potrebbero non riguardare il proprio prodotto, in quanto il presente documento si applica a tutti i modelli disponibili (alla data di stampa). Se non specificato diversamente, ogni sezione del presente documento si riferisce a tutti i modelli del prodotto.

I modelli e le configurazioni disponibili nel proprio paese sono riportati nei documenti di vendita specifici per paese.

Invacare si riserva il diritto di modificare le specifiche del prodotto senza ulteriore preavviso.

Prima di leggere il presente documento, verificare di essere in possesso dell'ultima versione, disponibile in formato PDF sul sito web Invacare.

Se si ritiene che la dimensione dei caratteri nella versione cartacea del documento sia di difficile lettura, è possibile

scaricare dal sito web la versione in formato PDF. Il PDF può essere ingrandito sullo schermo in modo da ottenere una dimensione dei caratteri più facile da leggere.

Per ulteriori informazioni sul prodotto, ad esempio le note sulla sicurezza del prodotto e i richiami di prodotti, si prega di contattare il proprio distributore Invacare. Vedere gli indirizzi alla fine del presente documento.

In caso di incidente grave relativo al prodotto, è necessario informare il produttore e l'autorità competente nel proprio paese.

## 1.2 Simboli in questo documento

In questo documento tutte quelle situazioni non sicure o pericolose che possono portare a lesioni alle persone o danni ai materiali sono evidenziate mediante simboli e avvertimenti. Qui di seguito sono riportate le spiegazioni di tutti i possibili avvertimenti.



### ATTENZIONE

Indica una situazione pericolosa che, se non evitata, potrebbe essere causa di morte o lesioni gravi.



### AVVERTENZA

Indica una situazione pericolosa che, se non evitata, potrebbe essere causa di lesioni minori o leggere.


**!** **AVVISO**  
Indica una situazione pericolosa che, se non evitata, potrebbe essere causa di danni al prodotto.

**i**  
Consigli e raccomandazioni  
Indica consigli, raccomandazioni e informazioni utili per un uso efficace e senza inconvenienti.

### Altri simboli

(Non applicabile per tutti i manuali)

**UKRP** Persona responsabile per il Regno Unito  
Indica se un prodotto non è fabbricato nel Regno Unito.

 Logo Triman  
Indica norme relative al riciclaggio e alla raccolta differenziata (solo per la Francia).

## 1.3 Informazioni sulla garanzia

Offriamo una garanzia del produttore per il prodotto in conformità di quanto indicato sui Termini e le condizioni generali di vendita applicabili nei rispettivi paesi.

La garanzia può essere fatta valere solo attraverso il fornitore presso il quale è stato acquistato il prodotto.

## 1.4 Conformità

La qualità è fondamentale per l'azienda, che opera nel rispetto e nell'ambito della norma ISO 13485.

Il prodotto è dotato di marchio CE, in conformità al Regolamento Dispositivi Medici 2017/745 Classe I.

1639504-G

Questo prodotto è dotato di marchio UKCA, in conformità alla Parte II del regolamento britannico sui dispositivi medici (MDR) Classe I del 2002 (e successive modifiche).

Lavoriamo costantemente per garantire che l'impatto ambientale dell'azienda a livello locale e globale sia ridotto al minimo.

Garantiamo di utilizzare esclusivamente materiali e componenti conformi alla direttiva REACH.

### 1.4.1 Norme specifiche di prodotto

Il prodotto è stato testato ed è conforme alla norma ISO 17966 (Ausili per l'igiene personale per il sostegno degli utilizzatori) e alle norme correlate. Ciò include le prove relative all'inflammabilità. Non si verifica alcuna accensione a causa della combustione progressiva o dell'accensione di fiamma.

Per ulteriori informazioni sulle norme e le disposizioni locali, contattare il rappresentante locale Invacare. Vedere gli indirizzi alla fine del presente documento.

## 1.5 Durata

La durata prevista per questo prodotto è di cinque anni, a condizione che sia utilizzato quotidianamente e in conformità alle istruzioni per la sicurezza, seguendo gli intervalli di manutenzione e le indicazioni per un uso corretto come indicato nel presente manuale. La durata effettiva può variare a seconda della frequenza e dell'intensità d'uso.

## 2 Sicurezza

### 2.1 Informazioni per la sicurezza



#### **ATTENZIONE!**

##### **Pericolo di lesioni gravi o danni**

Un uso improprio del prodotto può causare lesioni o danni.

- In presenza di messaggi di attenzione, precauzioni o istruzioni di difficile comprensione, contattare il personale medico professionale o il fornitore prima di iniziare a utilizzare questo prodotto.
- Non usare questo prodotto o nessun altro dispositivo opzionale disponibile senza prima aver letto attentamente e compreso fino in fondo le presenti istruzioni e ogni altro materiale informativo, come il manuale d'uso, il manuale per la manutenzione o i fogli di istruzione forniti con questo prodotto o con i dispositivi opzionali.



#### **ATTENZIONE!**

##### **Pericolo di lesioni**

- Prima di ogni utilizzo, controllare che il prodotto non abbia subito danni e assicurarsi che sia ben assemblato.
- Prima del primo utilizzo, pulire accuratamente il prodotto.



#### **ATTENZIONE!**

##### **Pericolo di lesioni**

Un uso improprio del prodotto può causare lesioni o danni.

- Non utilizzare se difettoso.
- In caso di malfunzionamento, contattare immediatamente il fornitore.
- Non apportare modifiche o alterazioni non autorizzate al prodotto.
- Utilizzare solo gli accessori / le opzioni destinati a questo prodotto.



#### **ATTENZIONE!**

##### **Pericolo di lesioni**

Un uso improprio del prodotto può causare lesioni o danni.

- Non sollevare il prodotto quando è sotto carico.
- Non salire in piedi sul prodotto.



#### **AVVERTENZA!**

##### **Pericolo di lesioni**

Componenti non originali o non corretti possono alterare il funzionamento e la sicurezza del prodotto.

- Utilizzare esclusivamente componenti originali per il prodotto in uso.
- In considerazione delle differenze regionali, fare riferimento al catalogo o al sito web locale di Invacare per conoscere le opzioni disponibili oppure contattare il rappresentante locale Invacare. Vedere gli indirizzi alla fine del presente documento.





### SEGNALAZIONE!

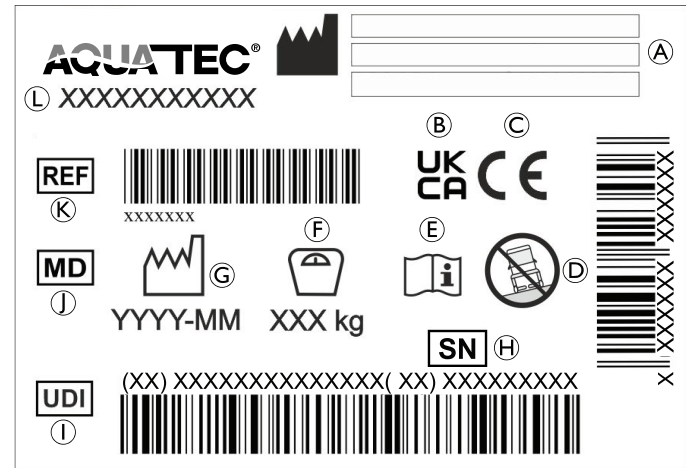
Quando si abbina questo prodotto a un altro prodotto, si applicano le limitazioni di entrambi i prodotti per la combinazione. Ad esempio, il peso utilizzatore massimo di un prodotto nella combinazione può essere inferiore.

- Utilizzare solo le combinazioni consentite da Invacare. Per informazioni, contattare il proprio distributore Invacare.
- Prima dell'uso, leggere il manuale d'uso di ciascun prodotto e verificare le limitazioni. Per un utilizzo sicuro, è necessaria la piena conformità alle informazioni, alle istruzioni e alle raccomandazioni contenute in entrambi i manuali d'uso.

## 2.2 Etichette e simboli sul prodotto


### Etichetta modello

L'etichetta modello riporta informazioni importanti:




(A)	Indirizzo del produttore
(B)	Conformità valutata per il Regno Unito
(C)	Conformità europea
(D)	Per l'uso solo su terreni privi di dislivelli
(E)	Leggere il manuale d'uso
(F)	Peso max. utilizzatore
(G)	Data di produzione
(H)	Numero di serie
(I)	Identificativo univoco del dispositivo
(J)	Dispositivo medico


Ⓚ	Codice di riferimento
Ⓛ	Denominazione del prodotto

 L'etichetta modello è attaccata sul lato interno della parte laterale sinistra.


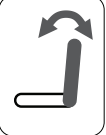
### Etichette sul prodotto

La seguente etichetta è attaccata sul retro del poggiatesta:	
Etichetta	Descrizione
	<p><b>ATTENZIONE!</b></p> <p>Rischio di urto</p> <p>Il corpo dell'assistente può venire colpito dallo schienale o dal poggiatesta durante l'azionamento della leva di attivazione.</p> <ul style="list-style-type: none"> <li>– Assicurarsi che durante l'inclinazione del telaio del sedile con lo schienale vi sia uno spazio sufficiente tra l'assistente e lo schienale o il poggiatesta.</li> </ul>

La seguente etichetta è attaccata sulla maniglia dello schienale:

Etichetta	Descrizione
	<p><b>ATTENZIONE!</b></p> <p>Rischio di ribaltamento</p> <ul style="list-style-type: none"> <li>– Non salire sul poggiatesta quando si sale sulla sedia da doccia e toilette o si scende da essa.</li> <li>– Ruotare lateralmente i poggiatesta o piegare verso l'alto le pedane prima di salire sulla sedia da doccia e toilette o scendere da essa.</li> <li>– Prima di sedersi o di alzarsi, ruotare le ruote orientabili in modo che il dispositivo di bloccaggio sia rivolto in avanti.</li> <li>– Non sporgersi troppo in avanti quando si è seduti sulla sedia da doccia e toilette.</li> </ul>

Le seguenti etichette sono attaccate sulle leve di attivazione:

Etichetta	Descrizione
	Leva di attivazione per l'inclinazione del sedile.
	Leva di attivazione solo per l'inclinazione dello schienale.

## 3 Panoramica del prodotto

### 3.1 Uso previsto

Aquatec Ocean VIP Ergo e Aquatec Ocean Dual VIP Ergo sono sedie da doccia e toilette mobili con sistema di inclinazione del sedile, telaio in acciaio inox, altezza del sedile regolabile individualmente, schienale a tensione regolabile, braccioli ribaltabili e pedane con struttura ad angolazione regolabile. Il prodotto è inoltre disponibile con un'ulteriore funzione di reclinazione dello schienale.

Queste sedie da doccia e da toilette mobili sono progettate per sostenere le attività igieniche personali con o senza assistenza in ambienti ospedalieri e domestici.

Temperatura per l'uso (solo al chiuso): 10 - 65 °C

#### Utilizzatori previsti

L'utilizzatore previsto è la persona che si siede nella sedia da doccia e toilette o un accompagnatore. Il dispositivo può essere utilizzato per adolescenti o adulti di altezza uguale o superiore a 146 cm, con peso uguale o superiore a 40 kg e con un indice di massa corporea (BMI) uguale o superiore a 16.

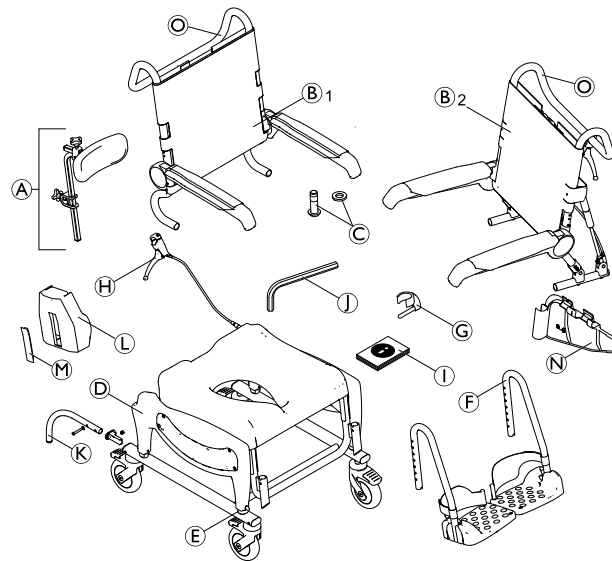
Per il peso utilizzatore massimo del prodotto, vedere la sezione *10 Dati Tecnici*, pagina 141

#### Indicazioni

- Difficoltà a stare piedi o a mantenere l'equilibrio,
- gambe deboli o disabilità agli arti inferiori,
- condizioni mediche tali da pregiudicare l'equilibrio.

Se si utilizza il prodotto come previsto, non sono note controindicazioni.

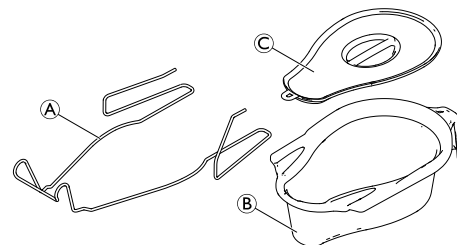
### 3.2 Componenti principali del prodotto



Ⓐ	Poggiatesta
Ⓑ <sub>1</sub>	<b>Ocean VIP Ergo:</b> schienale con rivestimento dello schienale e braccioli
Ⓑ <sub>2</sub>	<b>Ocean Dual VIP Ergo:</b> schienale con rivestimento dello schienale, braccioli e leva di attivazione per l'inclinazione dello schienale

Ⓒ	Viti (4x) e rondelle (4x) per il fissaggio dello schienale
Ⓓ	Telaio del sedile con piastra del sedile ed elementi laterali con telaio della base e ruote orientabili
Ⓔ	Fermi (4x) per la regolazione dell'altezza
Ⓕ	Poggiapiedi con cinturini per caviglie (2x)
Ⓖ	Morsetti (2x) per poggiapiedi
Ⓗ	Leva di attivazione per l'inclinazione del sedile
Ⓘ	Manuale d'uso
Ⓙ	Chiave a brugola
Ⓚ	Dispositivo antiribaltamento posteriore con vite, rondella e cappuccio di fissaggio (2x) (solo Ocean Dual VIP Ergo)
Ⓛ	Coperchio del freno (2x)
Ⓜ	Coperchio della leva del freno (2x)
Ⓝ	Coperchio di protezione dei dispositivi di fissaggio (2x)
Ⓞ	Barra di spinta

### Supporto per padella con padella (opzionale)



Ⓐ	Supporto per padella
Ⓑ	Padella
Ⓒ	Coperchio

## 4 Messa in servizio

### 4.1 Informazioni per la sicurezza



#### ATTENZIONE!

- Prima della messa in servizio, verificare che le parti non presentino danni dovuti al trasporto e contattare il fornitore, se necessario.
- Assicurarsi che durante il montaggio le parti siano posizionate correttamente l'una rispetto all'altra.
- Per numerosi collegamenti vengono usati viti/dadi autobloccanti o adesivo per filettature. Qualora questi elementi risultino allentati, è necessario sostituirli con nuove viti/dadi autobloccanti oppure fissarli con nuovo adesivo per filettature.



#### AVVERTENZA!

#### Rischio di pizzicamento

- Prestare attenzione durante il montaggio.

### 4.2 Montaggio della sedia da doccia e toilette

Questa sezione descrive il montaggio. Lo smontaggio avviene nell'ordine inverso.



È necessario regolare l'altezza dei braccioli, l'altezza del poggipiedi, l'angolazione del poggipiedi, il poggiatesta, il cinturino per caviglie, la tensione del rivestimento dello schienale e gli accessori / le opzioni in modo che si adattino in modo ottimale all'utilizzatore.

#### 4.2.1 Regolazione dell'altezza del sedile

Questa sezione descrive il montaggio. Lo smontaggio avviene nell'ordine inverso.

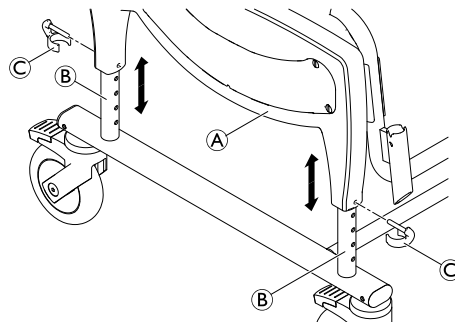


#### ATTENZIONE!

- Non regolare l'altezza del sedile della sedia da doccia o toilette mobile mentre c'è una persona seduta su di essa.



L'altezza del sedile deve essere regolata contemporaneamente su entrambi i lati.



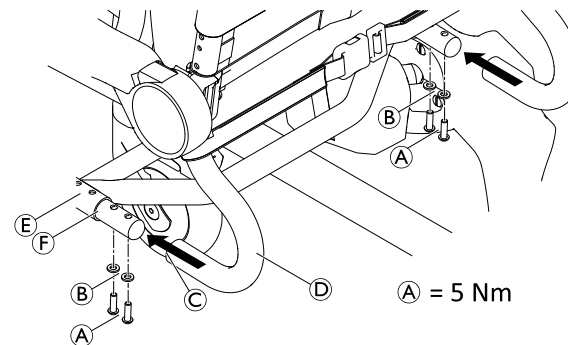
1. Sollevare leggermente la sedia da doccia e toilette mobile in corrispondenza della parte laterale (A).
2. Rimuovere i quattro fermi (C) (due per ciascun lato).
3. Impostare l'altezza corretta spostando contemporaneamente verso l'alto o verso il basso il telaio del sedile sui quattro tubi (B) del telaio della base.
4. Allineare i supporti dei fermi sull'elemento laterale con un foro presente nel telaio della base.
5. Inserire i quattro fermi dall'esterno nell'elemento laterale, finché i bordi dei fermi non avvolgono il tubo del telaio della base (B).

**ATTENZIONE!****Pericolo di lesioni**

- Assicurarsi che tutti e quattro i fermi siano serrati saldamente.
- Verificare che tutte e quattro i tubi siano regolati alla stessa altezza.



L'altezza del sedile può essere regolata per adattarsi a diverse situazioni di utilizzo, ad esempio per il trasferimento da un letto o da una carrozzina oppure per l'uso sopra una toilette, ecc.

**4.2.2 Installazione dello schienale**

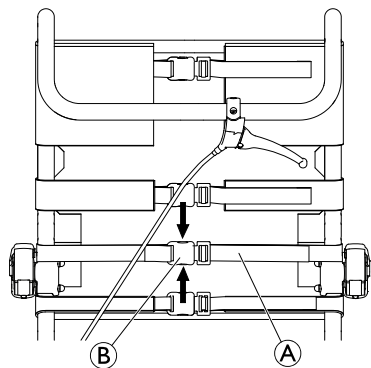
1. Spingere verso il basso tutti e quattro i pedali per bloccare le ruote orientabili.
2. Spingere lo schienale (D) da dietro nel telaio del sedile (E) fino a che la fascetta (C) non tocca il tubo del telaio del sedile (F).

**SEGNALAZIONE!**

- Serrare saldamente le viti con la chiave a brugola in dotazione.
  - Controllare le viti regolarmente per assicurarsi che siano ben fissate.
3. Posizionare una rondella (B) su ogni vite (A) e fissare lo schienale su entrambi i lati.
  4. Serrare le viti con una coppia di 5 Nm.

**Regolazione del rivestimento dello schienale**

È possibile regolare la tensione dello schienale in base alle proprie esigenze.



#### ATTENZIONE!

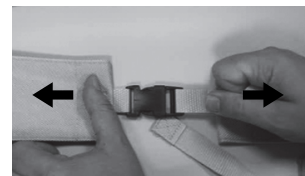
– Assicurarsi che almeno tre cinture siano sempre fatte passare intorno al lato esterno del telaio dello schienale e che le relative fibbie siano fissate.

Tensionamento:

1. Tirare le cinture **A** per tendere maggiormente il rivestimento dello schienale.

Allentamento:

1. Aprire le fibbie **B** premendo le alette di fissaggio (come indicato dalle frecce).
2. Spingere leggermente all'indietro le cinture attraverso la fibbia.
3. Serrare le fibbie delle cinture.
4. Tirare nuovamente le cinture con delicatezza.



#### ATTENZIONE!

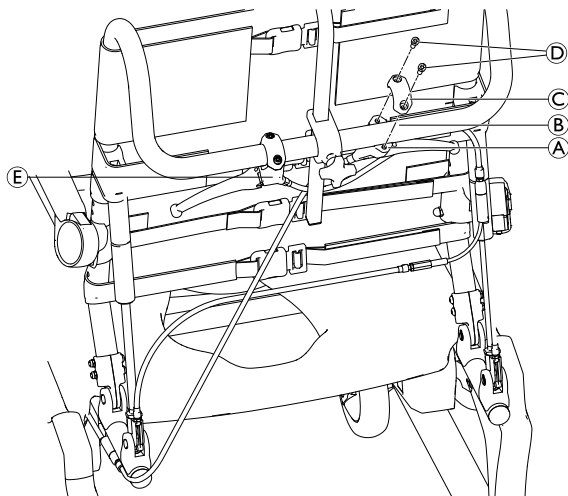
**Pericolo di lesioni dovute a fibbie dello schienale danneggiate!**

Verificare che le fibbie dello schienale siano saldamente fissate ogni volta che il prodotto viene sottoposto a manutenzione e con cadenza annuale.


- Controllare che tutti i fermi delle fibbie siano fissati in modo sicuro chiudendo le fibbie e tirando da entrambe le estremità.
- Sostituire lo schienale o le fibbie dello schienale se una fibbia si apre quando è sottoposta alla forza applicata.




### 4.2.3 Installazione della leva di attivazione



1. Rimuovere la parte di serraggio © dalla leva di attivazione ① allentando le viti ④.
2. Posizionare la leva di attivazione ① per l'inclinazione del sedile sulla parte inferiore destra del tubo della maniglia ②.

 La leva deve essere ruotata leggermente all'interno verso lo schienale.

3. Installare la leva di attivazione sul tubo della maniglia servendosi della parte di serraggio © e delle viti ④.

 Per Ocean Dual VIP Ergo, la leva di attivazione ① per l'inclinazione dello schienale è già montata sul lato destro del tubo della maniglia. Se necessario, è possibile modificare la posizione della leva di attivazione.

### 4.2.4 Montaggio e smontaggio della piastra del sedile

#### Montaggio


1. Posizionare la piastra del sedile sul telaio del sedile con l'apertura rivolta in avanti.
2. Spingere con la mano aperta la piastra del sedile verso il basso sui lati e sulla parte anteriore e posteriore fino a far scattare la piastra del sedile bloccandola nel telaio del sedile.

#### Smontaggio

1. Sollevare la piastra del sedile nella parte posteriore.

### 4.2.5 Regolazione dell'altezza del bracciolo

1. Sul rivestimento dello schienale, aprire la fibbia della cintura che è stata fatta passare all'interno del telaio dello schienale.
2. Sul rivestimento dello schienale, aprire la fibbia della cintura che si trova sopra il bracciolo.

 Quando si esegue la regolazione in una posizione più bassa, è necessario slacciare la cintura sotto il bracciolo.

3. Far passare questa cintura all'interno del telaio dello schienale e richiudere.

4.

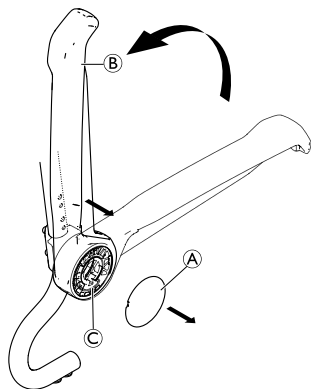


Fig. 4-1

Rimuovere il cappuccio **A**.

5. Piegare bracciolo **B** per estrarlo dal staffa del bracciolo **C**.

6.

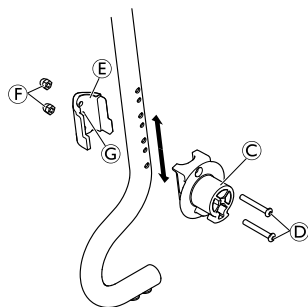
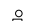



Fig. 4-2

Rimuovere le viti **D** dalla staffa del bracciolo **C** con la chiave a brugola in dotazione.

7. Rimuovere il fermo di fissaggio **E** con i dadi **F** dall'interno del telaio dello schienale.

 I dadi sono inseriti nel morsetto di fissaggio senza essere serrati, pertanto possono cadere.

8. Per reinstallare la staffa del bracciolo e fissare il fermo nella posizione desiderata, inserire le viti **D** nella staffa del bracciolo e farle passare attraverso i fori desiderati sul telaio dello schienale.

 I fori più piccoli all'interno del telaio dello schienale servono a installare il fermo di fissaggio.

9. Posizionare il fermo di fissaggio in modo che il dispositivo di fissaggio **C** del fermo entri nel foro più piccolo.

10. Serrare le viti **D** a 5 - 6 Nm e i dadi **F**.

11.

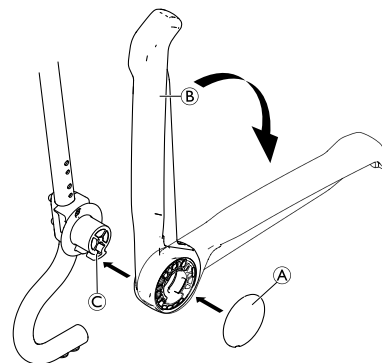


Fig. 4-3

Reinstallare il bracciolo **B** sulla staffa **C**.

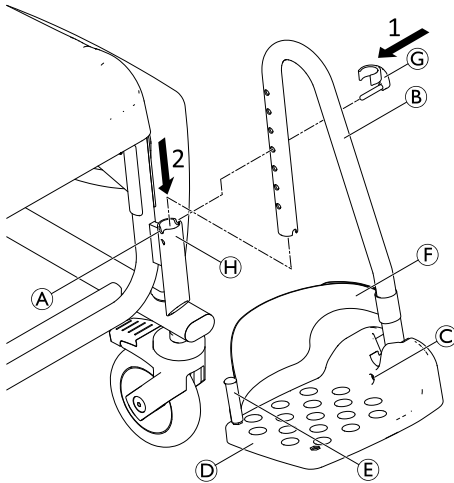
12. Piegare il bracciolo.

13. Reinstallare il cappuccio ①.
14. Far passare la cintura aperta del rivestimento dello schienale dall'esterno del telaio dello schienale, chiudere le fibbie della cintura, quindi stringere tutte le cinture.
15. La procedura di regolazione dell'altezza è identica per il bracciolo destro e sinistro.



Per montare gli accessori / le opzioni è possibile aprire la terza cintura dall'alto e far passare il rivestimento dello schienale dall'interno del telaio dello schienale.

#### 4.2.6 Montaggio dei poggiatesta



1. Inserire il perno del morsetto ③ dall'esterno nel foro richiesto sul poggiatesta ②. Assicurarsi che il morsetto si innesti intorno al tubo.
2. Spingere il poggiatesta nella guida ④ nella parte anteriore dell'elemento laterale finché il perno del morsetto ③ si innesta nella scanalatura ①. Il poggiatesta non può più essere girato lateralmente.



La procedura di montaggio è identica per i poggiatesta destro e sinistro.

#### Regolazione dell'altezza dei poggiatesta



Se necessario, i poggiatesta possono essere accorciati (consultare il manuale per la manutenzione). L'accorciamento dei poggiatesta deve essere eseguito da un tecnico qualificato.

1. Tirare leggermente verso l'alto il poggiatesta ②.
2. Estrarre il morsetto ③ dal foro del poggiatesta e reinserirlo nel foro richiesto. Se necessario, estrarre leggermente ancora un po' il poggiatesta.
3. Spingere il poggiatesta verso il basso affinché la scanalatura ① si innesti sul perno del fermo.
4. Regolare l'altro poggiatesta all'altezza richiesta, come descritto.

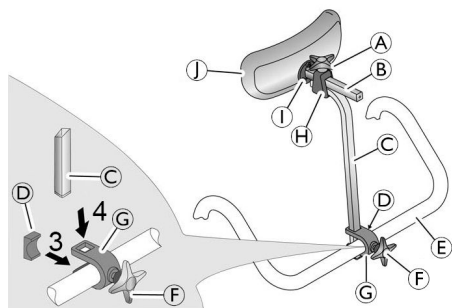
#### Regolazione dell'inclinazione delle pedane poggiatesta



L'inclinazione delle pedane può essere regolata all'infinito in modo variabile.

1. Allentare la vite a brugola © sulla pedana servendosi di una chiave a brugola da 4.
2. Portare la pedana © nella posizione richiesta.
3. Stringere nuovamente la vite a brugola.

#### 4.2.7 Montaggio del poggiatesta



1. Utilizzare la manopola a stella (F) per avvitare leggermente la vite nella staffa (G).
2. Spingere la staffa con la vite sulla maniglia dello schienale (E) dal retro, in modo che la vite si innesti nel foro sulla maniglia dello schienale.
3. Inserire la piastra (D) nella staffa dalla parte anteriore in modo che entrambe le alette della piastra siano rivolte verso l'alto e verso il basso e il lato curvo della piastra entri in contatto con la maniglia dello schienale.
4. Inserire il tubo per la regolazione dell'altezza © spingendolo dall'alto negli alloggiamenti della staffa.
5. Utilizzare la manopola a stella per serrare a fondo la vite fino a fissare in posizione il tubo per la regolazione dell'altezza.

6. Inserire il cuscino (I) e il relativo supporto (B) nel sostegno (H) presente sul tubo per la regolazione dell'altezza.
7. Utilizzare la manopola a stella (A) per serrare la vite superiore fino a fissare in posizione il supporto del cuscino.

**i** Per un migliore adattamento all'utilizzatore, il tubo per la regolazione dell'altezza può essere montato con la parte curva rivolta in avanti o indietro.

Il cuscino del poggiatesta (I) può essere rimosso e sostituito con altre forme di cuscino (opzionali). Per rimuoverlo, allentare i bulloni di fissaggio (I).

#### Regolazione della lunghezza del poggiatesta

**i** Se necessario, i tubi del poggiatesta (C) e (B) possono essere accorciati (consultare il manuale per la manutenzione). L'accorciamento del tubo del poggiatesta deve essere eseguito da un tecnico qualificato.

#### 4.2.8 Installazione dei dispositivi antiribaltamento posteriori



##### **ATTENZIONE!**

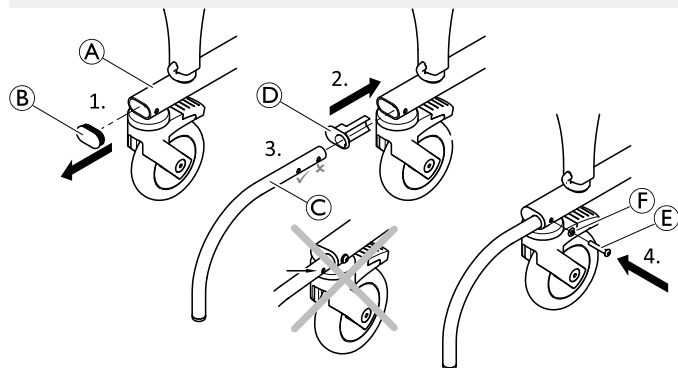
##### **Rischio di ribaltamento**

Pericolo di lesioni gravi per l'utilizzatore di Ocean Dual VIP Ergo quando lo schienale è inclinato. L'intera carrozzina può inclinarsi all'indietro.

- Prima di utilizzare Ocean Dual VIP Ergo, assicurarsi che siano installati entrambi i dispositivi antiribaltamento posteriori.

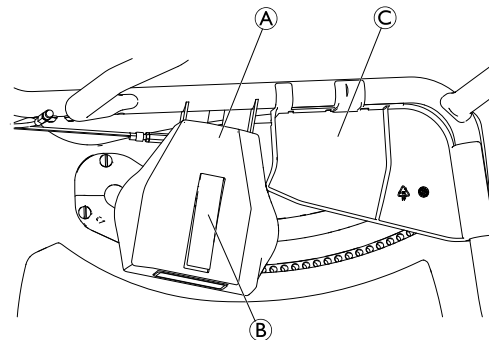
**ATTENZIONE!****Pericolo di lesioni**

– Non salire sui dispositivi antiribaltamento.



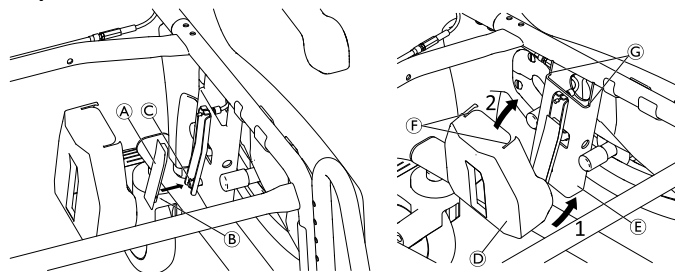
1. Rimuovere il cappuccio di protezione **B** dal telaio della base **A**.
2. Applicare il cappuccio di fissaggio **D** al telaio della base.
3. Inserire il tubo antiribaltamento **C**.
4. Fissare il dispositivo antiribaltamento al secondo foro con la vite **E** e la rondella **F**.
5. Installare il secondo dispositivo antiribaltamento sull'altro lato.

#### 4.2.9 Installazione/rimozione dei coperchi dei freni / dei coperchi di protezione dei dispositivi di fissaggio



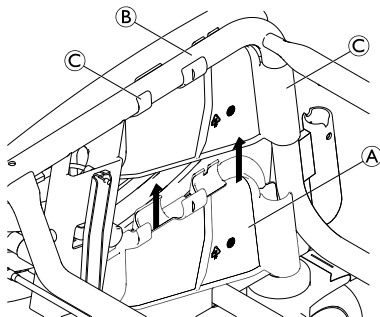
<b>A</b>	Coperchio del freno
<b>B</b>	Coperchio della leva del freno
<b>C</b>	Coperchio di protezione dei dispositivi di fissaggio

#### Coperchio del freno



1. Applicare il coperchio della leva del freno **A** accoppiando la scanalatura **B** con il piccolo perno **C**.
2. Posizionare la parte inferiore del coperchio del freno **D** in senso obliquo dal basso sull'alloggiamento del freno **E**.
3. Inclinare la parte superiore del coperchio del freno verso l'alloggiamento del freno in modo che le rientranze **F** siano a filo con i bordi **G**.
4. Installare il secondo coperchio del freno sull'altro lato.

#### Coperchio di protezione dei dispositivi di fissaggio



1. Installare il coperchio di protezione dei dispositivi di fissaggio **A** innestandolo sui tubi del telaio **B**. Assicurarsi che tutti i fermi **C** siano serrati saldamente.
2. Installare il secondo coperchio di protezione dei dispositivi di fissaggio sull'altro lato.

## 4.3 Montaggio di accessori e opzioni

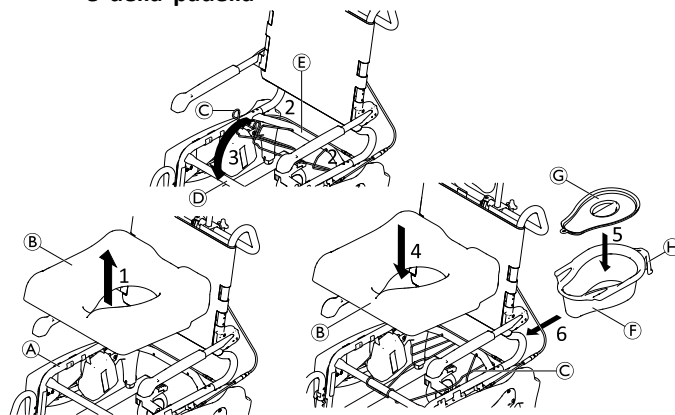


### ATTENZIONE!

#### Pericolo di lesioni


– Il montaggio degli accessori e delle opzioni deve avere luogo seguendo le relative istruzioni.


### 4.3.1 Installazione/rimozione del supporto della padella e della padella




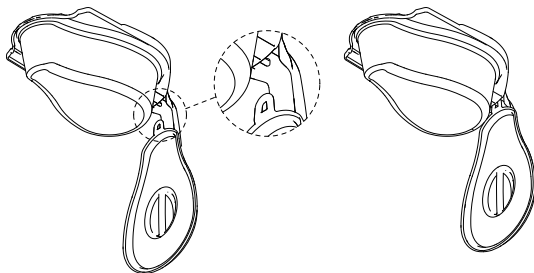
La padella **F** può essere installata/rimossa con o senza il coperchio **G**.

1. Rimuovere la piastra del sedile **B** dal telaio **A**.
2. Posizionare le estremità del supporto della padella **C** nei fori del tubo trasversale posteriore **E**.
3. Innestare la parte anteriore del supporto della padella nel tubo trasversale anteriore **D**.
4. Reinstallare la piastra del sedile sul telaio.

5. Mettere il coperchio sulla padella o toglierlo.
6. Tenere la padella per l'impugnatura  e inserirla dal retro tra il supporto della padella e il sedile.

 Premere leggermente la padella verso il basso quando la si inserisce o la si rimuove.

 Il coperchio può essere appeso al gancio di plastica sul lato inferiore dell'impugnatura della padella.



## 5 Uso

### 5.1 Informazioni per la sicurezza



#### ATTENZIONE!

- Utilizzare la sedia da doccia e toilette solo su una superficie piana e al coperto.
- Rispettare le specifiche riportate sull'etichetta modello. Non sovraccaricare la sedia da doccia e toilette.
- Rispettare le etichette di sicurezza sul retro del poggiatesta e sulla maniglia dello schienale, 2.2 *Etichette e simboli sul prodotto, pagina 113*
- Non collocare pesi eccessivi sulla sedia da doccia e toilette.
- Prima di ogni utilizzo, effettuare sempre un controllo visivo per verificare che il prodotto non presenti danni esterni.



#### ATTENZIONE!

##### Rischio di scivolamento e ribaltamento

- Prima dell'utilizzo, assicurarsi che il sedile sia fissato saldamente al telaio del sedile.
- Bloccare tutte le ruote orientabili con le levette a pedale prima di sedersi sulla carrozzina da doccia e toilette o alzarsi da essa, anche nella posizione di stazionamento.



#### ATTENZIONE!

##### Rischio di ribaltamento

- Ruotare lateralmente i poggiatesta o ripiegare le pedane verso l'alto prima di sedersi o di alzarsi in piedi.
- Prima di sedersi o di alzarsi, ruotare le ruote orientabili anteriori in modo che il dispositivo di bloccaggio sia rivolto in avanti.
- Non salire sui poggiatesta.
- Non sporgersi eccessivamente in avanti.
- Spingere l'utilizzatore seduto sulla sedia da doccia e toilette solo quando il telaio del sedile e lo schienale sono posti in posizione verticale.
- Trasferire l'utilizzatore dalla sedia da doccia e toilette o su di essa solo quando il telaio del sedile e lo schienale sono posti in posizione verticale.
- Non rimuovere mai le molle a gas (solo Ocean Dual VIP Ergo).



#### ATTENZIONE!

##### Pericolo di lesioni!

- Prima di utilizzare il sedile morbido variabile (opzionale), è necessario montare i coperchi laterali.



#### ATTENZIONE!

##### Rischio di ribaltamento all'indietro!

- Ocean Dual VIP Ergo deve essere utilizzato solo se sono stati installati i dispositivi antiribaltamento posteriori.



**ATTENZIONE!****Rischio di ribaltamento**

- La sedia da doccia e toilette deve essere spostata esclusivamente utilizzando la barra di spinta.

**AVVERTENZA!****Rischio di ustioni della pelle**

- I componenti del prodotto possono riscaldarsi se esposti a fonti di calore esterne.
- Tenere conto che le superfici che si riscaldano quando si utilizza la sedia da doccia e toilette nella sauna o sotto l'acqua calda.
  - Non esporre il prodotto alla luce diretta del sole prima dell'uso.

**AVVERTENZA!****Rischio di intrappolamento dovuto al meccanismo di inclinazione**

- Durante l'inclinazione del telaio del sedile o dello schienale, assicurarsi che le braccia dell'utilizzatore siano poggiate sui braccioli o conserte.
- Assicurarsi che sul telaio sia montato il coperchio di protezione dei dispositivi di fissaggio. Vedere *4.2.9 Installazione/rimozione dei coperchi dei freni / dei coperchi di protezione dei dispositivi di fissaggio, pagina 125*

**SEGNALAZIONE!****Pericolo di rottura del poggiatesta**

- Sterzare o spingere la sedia da doccia e toilette servendosi esclusivamente della maniglia sullo schienale, mai del poggiatesta.

**SEGNALAZIONE!****Rischio di danni al prodotto**

- Non sollevare la sedia da doccia e toilette tramite i poggiatesta, i braccioli o uno qualsiasi degli accessori / delle opzioni.

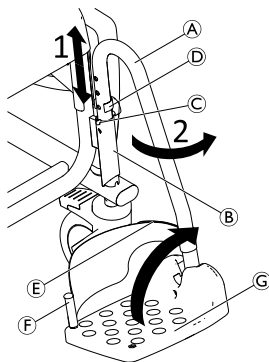


Per gli utilizzatori ad alto rischio di alzarsi in piedi sui poggiatesta (ad esempio, persone affette da demenza), sono disponibili come dispositivi antiribaltamento anteriori (opzionali) che impediscono alla sedia da doccia e toilette di ribaltarsi in avanti.

**5.2 Rotazione dei braccioli****AVVERTENZA!****Rischio di pizzicamento delle dita**

- Non introdurre le dita tra il bracciolo e lo schienale quando si piegano i braccioli.

## 5.3 Rotazione dei poggiapiedi



### Posizione di salita/discesa:

1. Tirare leggermente verso l'alto il poggiapiedi (A) nella guida (B) fino a disinnestare il perno del morsetto (D) dalla scanalatura (C).
2. Ruotare lateralmente il poggiapiedi.

### Posizione di guida:



#### AVVERTENZA!

**Pericolo di incidenti a causa di un poggiapiedi allentato**

– Fissare i poggiapiedi nella posizione di guida.

1. Ruotare il poggiapiedi (A) verso l'interno.
2. Spingere il poggiapiedi verso il basso affinché il perno del morsetto (D) si innesti nella scanalatura (C).



In alternativa, è possibile ruotare le pedane (G) verso l'alto per salire sulla sedia da doccia e toilette e scendere da essa.

### Sostituzione del cinturino per caviglie

1. Aprire la fascetta a strappo (E) sul cinturino per caviglie.
2. Togliere la vite (F) dalla parte inferiore della pedana.
3. Togliere il cinturino per caviglie dal perno in plastica flessibile.



Per allacciare il cinturino seguire la stessa procedura, ma nell'ordine inverso.



Durante il montaggio, assicurarsi che la fascetta a strappo del cinturino per caviglie sia rivolta all'indietro.

## 5.4 Inclinazione del telaio del sedile con lo schienale



#### SEGNALAZIONE!

– Durante l'inclinazione, non inserire mai le mani tra le parti laterali e il telaio tubolare.

### Inclinazione all'indietro/in avanti



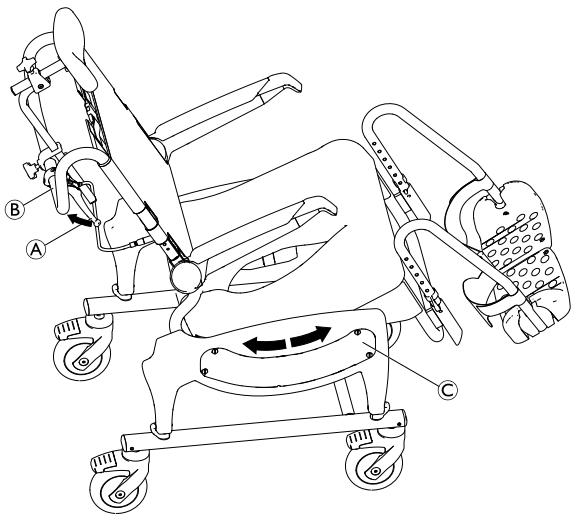
Il telaio del sedile può essere inclinato all'indietro di circa 40° insieme allo schienale.



I fermi di inclinazione (opzionali) sono disponibili per evitare che il prodotto si inclini in avanti a un angolo inferiore a 0°.



Alle due altezze del sedile più basse non è possibile utilizzare l'intervallo di regolazione completo per il poggiatesta. Prima dell'uso, verificare che i poggiatesta non tocchino il pavimento quando si inclina il sedile in avanti. Se necessario, modificare opportunamente la regolazione dell'altezza del sedile o dei poggiatesta.



### AVVERTENZA!

#### Pericolo di schiacciamento

Le dita o le mani possono rimanere intrappolate e schiacciate dal meccanismo di inclinazione.

- Prima dell'uso, assicurarsi che i coperchi laterali © del meccanismo di inclinazione siano montati correttamente.

1. Spingere verso il basso le quattro leve a pedale per bloccare le ruote orientabili.
2. Tenere la sedia da doccia dalla barra di spinta ⑥.
3. Tirare la leva di attivazione ① e mantenerla in questa posizione.
4. Impostare l'inclinazione desiderata spingendo verso il basso o tirando verso l'alto la maniglia ②.
5. Rilasciare la leva di attivazione e lasciare che i perni del meccanismo di inclinazione si innestino nei fori più vicini. Il telaio del sedile è regolato all'inclinazione impostata al momento.

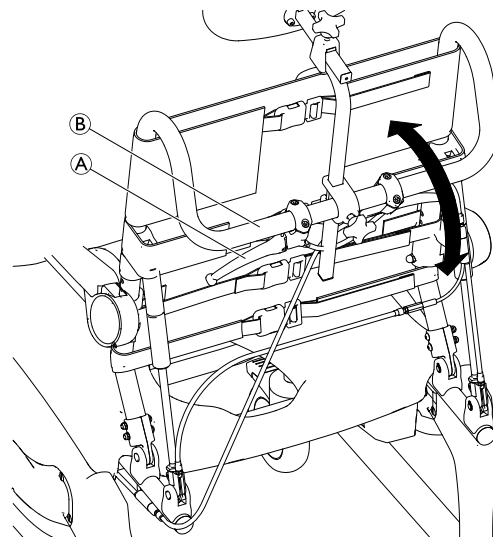
## 5.5 Inclinazione dello schienale (solo Ocean Dual VIP Ergo)



### AVVERTENZA!

#### Rischio di schiacciamento delle dita tra la staffa del bracciolo e l'elemento laterale

- Durante l'inclinazione all'indietro del telaio del sedile o l'abbassamento dello schienale, non inserire mai le mani tra la staffa del bracciolo e l'elemento laterale.
- Durante l'inclinazione del telaio del sedile o dello schienale, assicurarsi che le braccia dell'utilizzatore siano poggiate sui braccioli o conserte.




1. Spingere verso il basso le quattro leve a pedale per bloccare le ruote orientabili.
2. Tenere la sedia da doccia dalla barra di spinta ②.
3. Tirare la leva di attivazione ① e mantenerla in questa posizione.



La leva di attivazione è dotata di un dispositivo di bloccaggio. Per attivare la leva è necessario prima rimuovere il dispositivo di bloccaggio.

4. Inclinare lo schienale nella posizione desiderata.
5. Rilasciare la leva di attivazione per fissare lo schienale nella posizione corrente.

 È necessario imprimere maggiore forza per inclinare lo schienale all'indietro senza l'utilizzatore seduto. Inclinazione automatica in avanti senza l'utilizzatore seduto quando viene tirata la leva di attivazione.

## 5.6 Innesto/disinnesto dei dispositivi di bloccaggio delle ruote orientabili

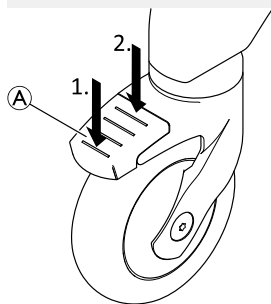



### AVVERTENZA!

#### Rischio di intrappolamento/schiacciamento

Tutti i dispositivi di bloccaggio delle ruote orientabili si azionano con i piedi.

– Non azionare i dispositivi di bloccaggio delle ruote orientabili con le mani.



1. Per bloccare i dispositivi di bloccaggio delle ruote orientabili, premere la parte posteriore del pedale  fino a quando si innesta.



La ruota orientabile è ora bloccata in posizione e non può ruotare più.

2. Per sbloccare i dispositivi di bloccaggio delle ruote orientabili, premere la parte anteriore del pedale A fino a quando si disinnesta.



La ruota orientabile con il pedale blu (blocco direzionale opzionale) innesta soltanto il blocco girevole per facilitare il movimento in linea retta.

## 6 Trasporto

### 6.1 Informazioni per la sicurezza



Il prodotto può essere smontato per il trasporto in tutte le parti comprese nella fornitura (consultare il capitolo 3.2 *Componenti principali del prodotto*, pagina 116).

1. Per smontare il prodotto, consultare il capitolo 4 *Messa in servizio*, pagina 118 seguendo la procedura di montaggio nell'ordine inverso.



#### **SEGNALAZIONE!**



##### **Rischio di danni al prodotto**

- Trasferire il prodotto in un luogo asciutto.
- Non esporre il prodotto alla luce diretta del sole.
- Fare riferimento alle condizioni di conservazione e di trasporto. Vedere il capitolo 10.3 *Parametri ambientali*, pagina 143



#### **SEGNALAZIONE!**



- Per numerosi collegamenti vengono usati viti/dadi autobloccanti o adesivo per filettature. Qualora questi elementi risultino allentati, è necessario sostituirli con nuove viti/dadi autobloccanti oppure fissarli con nuovo adesivo per filettature.

## 7 Manutenzione

### 7.1 Manutenzione e controllo

Il prodotto non richiede manutenzione, a condizione che siano rispettate le istruzioni di pulizia e di sicurezza descritte di seguito.

Per garantire prestazioni ottimali e la sicurezza, è necessario eseguire periodicamente i seguenti controlli:

- Controllare regolarmente che il prodotto e gli accessori / le opzioni non siano danneggiati. Non utilizzare il prodotto se difettoso.
- Controllare la funzione di inclinazione del telaio del sedile e dello schienale (Ocean Dual VIP Ergo). È obbligatorio garantire facilità di inclinazione e bloccaggio sicuro della posizione.
- Se non è possibile utilizzare la funzione di inclinazione a un angolo inferiore a 0°, rimuovere i fermi di inclinazione (opzionale), se necessario.
- In caso di danni o malfunzionamento, si raccomanda di contattare il fornitore.
- Assicurarsi che il prodotto sia assemblato in modo sicuro, compresi i coperchi di protezione, e che tutte le viti siano serrate saldamente.



#### **ATTENZIONE!**

##### **Pericolo di lesioni e danni**

Se il prodotto non è regolato in modo corretto, può causare incidenti e lesioni gravi.

- Il prodotto deve essere riparato da un tecnico qualificato.
- Le parti danneggiate devono essere sostituite da un tecnico qualificato.
- Utilizzare esclusivamente pezzi di ricambio originali Invacare.

### 7.2 Pulizia e disinfezione

#### 7.2.1 Informazioni generali sulla sicurezza



#### **AVVERTENZA!**

##### **Rischio di contaminazione**

- Adottare opportune precauzioni per la propria protezione e utilizzare un'attrezzatura protettiva adeguata.



### AVVISO!

Liquidi inappropriati o metodi errati potrebbero danneggiare il prodotto.

- Tutti i prodotti detergenti e disinfettanti utilizzati devono essere efficaci, compatibili tra loro e devono proteggere i materiali su cui vengono utilizzati durante la pulizia.
- Non utilizzare mai liquidi corrosivi (sostanze alcaline, acidi, ecc.) o detergenti abrasivi. Si consiglia di utilizzare un normale prodotto detergente per la casa, come un detersivo liquido per i piatti, a meno che non siano state fornite indicazioni diverse nelle istruzioni di pulizia.
- Non utilizzare mai solventi (diluente per cellulosa, acetone, ecc.) che modificano la struttura della plastica o che sciolgono le etichette applicate.
- Prima di utilizzare il prodotto, assicurarsi sempre che sia completamente asciutto.



Per la pulizia e la disinfezione in ambienti clinici o di assistenza a lungo termine, seguire le procedure interne della struttura.

## 7.2.2 Intervalli di pulizia



### AVVISO!

La pulizia e la disinfezione periodici consentono di assicurare il corretto e regolare funzionamento, aumentare la durata e prevenire la contaminazione. Pulire e disinfettare il prodotto:

- periodicamente durante l'uso,
- prima e dopo qualsiasi procedura di manutenzione,
- in caso di contatto con liquidi biologici,
- prima dell'uso per un nuovo utilizzatore.

## 7.2.3 Pulizia

Il prodotto può essere pulito con prodotti disponibili in commercio.


### Pulizia in un ambiente domestico

1. Rimuovere tutti gli accessori / le opzioni installati (solo gli accessori / le opzioni che non richiedono l'uso di utensili).
2. Togliere i poggiatesta dalle guide.
3. Rimuovere la piastra del sedile e il rivestimento dello schienale.
4. Rimuovere i coperchi dei freni e i coperchi di protezione dei dispositivi di fissaggio, come illustrato nel capitolo *4.2.9 Installazione/rimozione dei coperchi dei freni / dei coperchi di protezione dei dispositivi di fissaggio, pagina 125*
5. Pulire le singole parti con un panno o una spazzola e con detergenti e disinfettanti disponibili in commercio.
6. Risciacquare con acqua calda.



7. Asciugare le parti con un panno.
8. Rimontare il prodotto come illustrato nel capitolo 4 *Messa in servizio, pagina 118*

### Effettuare la pulizia in ambiente clinico

-  Oltre alle istruzioni per la pulizia fornite in precedenza, raccomandiamo di pulire il prodotto prima dell'uso da parte di un altro paziente, al termine del periodo d'uso o regolarmente (a seconda di quale evenienza si verifichi per prima) a
- 90 °C per 1 minuto
  - 85 °C per 3 minuti
  - 80 °C per 10 minuti
- in autoclave.



#### AVVERTENZA!

##### Rischio di ustioni della pelle

- Dopo la pulizia, lasciare raffreddare il prodotto all'interno della lavatrice o dell'autoclave.

### Pulizia del rivestimento dello schienale

1. Togliere il rivestimento dello schienale.
2. Lavare il rivestimento in lavatrice con detergente delicato a una temperatura massima di 60 °C.



#### SEGNALAZIONE!

##### Rischio di danni

- Un lavaggio a temperature più elevate può provocare danni.
- Non mettere nell'asciugabiancheria.



#### SEGNALAZIONE!

- I lavaggi eccessi possono danneggiare il tessuto.
- Si raccomanda di sostituire il rivestimento dello schienale ogni due anni per motivi di igiene.

### Pulizia della padella (opzionale)

La padella può essere pulita in autoclave alle temperature/con i tempi seguenti:

- 90 °C per 1 minuto
- 85 °C per 3 minuti
- 80 °C per 10 minuti.

### 7.2.4 Istruzioni per la disinfezione



Informazioni sui disinfettanti e i metodi consigliati sono disponibili all'indirizzo <https://vah-online.de/en/for-users>.

### Nell'assistenza domestica

Metodo: Seguire le note applicative per il disinfettante utilizzato e disinfettare con una salvietta tutte le superfici accessibili.

Disinfettante: normale disinfettante per la casa.

Asciugatura: Lasciare asciugare il prodotto all'aria.

### Assistenza in ambiente clinico e a lungo termine

Seguire le procedure di disinfezione interne e utilizzare solo i disinfettanti e i metodi ivi specificati.

## 8 Dopo l'utilizzo

### 8.1 Conservazione



#### **ATTENZIONE!**

#### **Rischio di danni al prodotto**

- Conservare il prodotto in un luogo asciutto.
- Non riporre il prodotto vicino a fonti di calore.
- Non esporre il prodotto alla luce diretta del sole.
- Fare riferimento alle condizioni di conservazione e di trasporto riportate nel capitolo *10.3 Parametri ambientali, pagina 143*



Se la carrozzina dovesse restare per un lungo periodo di tempo in magazzino, la molla pneumatica potrebbe richiedere una forza maggiore per essere attivata (solo Ocean Dual VIP Ergo).

### 8.2 Ricondizionamento

Questo prodotto è adatto per il riutilizzo. Per il ricondizionamento del prodotto per un nuovo utilizzatore, intraprendere le azioni seguenti:

- Ispezione
- Pulizia e disinfezione

Per informazioni dettagliate, fare riferimento al paragrafo 7 *Manutenzione, pagina 135* e al manuale per la manutenzione di questo prodotto.

Assicurarsi che il manuale d'uso venga sempre consegnato insieme al prodotto.

Se si riscontrano danni o malfunzionamenti, non riutilizzare il prodotto.

### 8.3 Smaltimento

Rispettare l'ambiente e riciclare il prodotto attraverso un centro di riciclaggio locale al termine del suo utilizzo.

Smontare il prodotto e i relativi componenti, in modo che i differenti materiali possano essere staccati e riciclati singolarmente.

Lo smaltimento e il riciclaggio dei prodotti usati e degli imballaggi devono essere eseguiti nel rispetto delle leggi e delle normative in materia di gestione dei rifiuti vigenti in ciascun paese. Per ulteriori informazioni, contattare la propria azienda di raccolta rifiuti locale.

## 9 Guida alla soluzione dei problemi

### 9.1 Identificazione e riparazione dei guasti



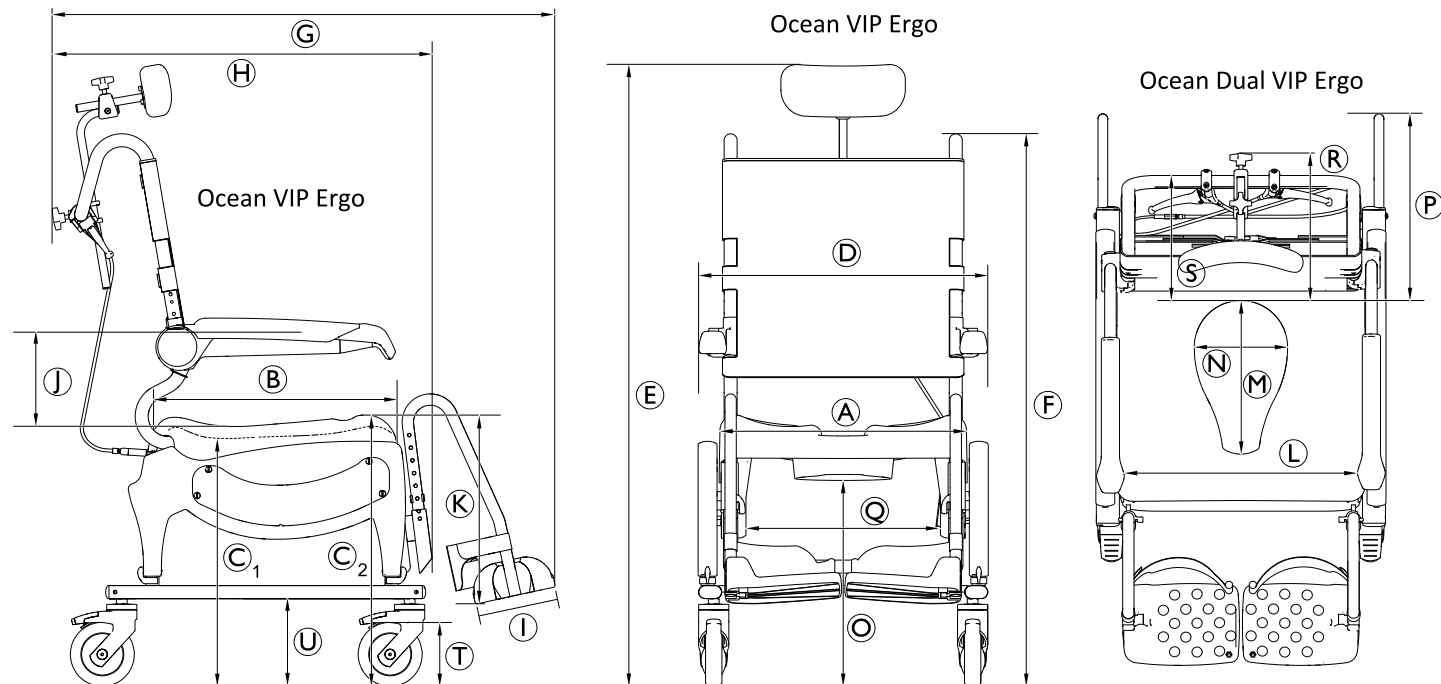
La tabella seguente fornisce informazioni sui malfunzionamenti e sulle possibili cause. Nel caso in cui non fosse possibile correggere il malfunzionamento adottando le soluzioni indicate, contattare direttamente il proprio fornitore.

<b>Malfunzionamento</b>	<b>Causa possibile</b>	<b>Soluzione</b>
Difficoltà di regolazione dell'altezza del sedile	Sporcizia tra il telaio del sedile e l'elemento laterale	Smontare il telaio della base e pulire accuratamente questo e l'elemento laterale
Le ruote orientabili sono difficili o impossibili da girare	Sporcizia tra la forcella e il cerchione	Pulire accuratamente le ruote orientabili
Difficoltà nello spostare lateralmente i poggiatesta	Depositi nelle guide	Pulire accuratamente i poggiatesta e le guide
Non è possibile inclinare il telaio del sedile con lo schienale	Depositi nel meccanismo di inclinazione	Rimuovere il coperchio del freno e il coperchio della leva del freno e pulire accuratamente il meccanismo di inclinazione
	Cavo Bowden non regolato correttamente	Il cavo Bowden deve essere regolato da un tecnico qualificato
L'attivazione della molla pneumatica richiede una forza maggiore (Dual VIP)	Deposito per un lungo periodo	Inclinare il telaio dello schienale varie volte
Non è possibile inclinare lo schienale (Dual VIP)	Cavo Bowden non regolato correttamente	Il cavo Bowden deve essere regolato da un tecnico qualificato

<b>Malfunzionamento</b>	<b>Causa possibile</b>	<b>Soluzione</b>
Rumore sferragliante quando si inclina il telaio del sedile con lo schienale	Cavo Bowden non regolato correttamente	Il cavo Bowden deve essere regolato da un tecnico qualificato
	La leva di attivazione non è completamente tirata	Tirare completamente la leva di attivazione

## 10 Dati Tecnici

### 10.1 Dimensioni e peso



	Ocean VIP Ergo	Ocean VIP Ergo XL*	Ocean Dual VIP Ergo
(A)		480 mm	
(B)		480 mm	

	Ocean VIP Ergo	Ocean VIP Ergo XL*	Ocean Dual VIP Ergo
© <sub>1</sub>	475 mm – 600 mm		
© <sub>2</sub>	533 mm – 658 mm		
©	565 mm	645 mm	565 mm
©	circa 1052 mm - 1340 mm (con seduta in posizione neutra)		
©	circa 1052 mm - 1202 mm (con seduta in posizione neutra)		
©	circa 1.000 mm Inclinata: circa 1.520 mm Inclinata e con lo schienale reclinato (solo Ocean Dual VIP): circa 1700 mm		
©	circa 742 mm		
©	160 mm		
©	213 mm/251 mm/289 mm		
©	319 mm - 469 mm (in passi di 25 mm)		
©	475 mm	535 mm	475 mm
©	350 mm (parte superiore)/300 mm (parte inferiore)		
©	250 mm (parte superiore)/182 mm (parte inferiore)		
©	400 mm – 525 mm		
©	—	—	380 mm
©	385 mm		
©	295 mm		—
©	230 mm		—
©	Æ 127 mm (5")		

	Ocean VIP Ergo	Ocean VIP Ergo XL*	Ocean Dual VIP Ergo
Ⓢ	172 mm		
Angolo di inclinazione del sedile	-5° – 40°		
Angolo di inclinazione dello schienale	—	—	5° – 35°
Diametro di sterzata	2200 mm		
Larghezza per inversione	1140 mm		1290 mm
Peso del prodotto	23.5 kg		28.3 kg
Peso max. utilizzatore	150 kg		

\* I braccioli XL sono disponibili come opzione.

## 10.2 Materiali

Telaio	Acciaio inox, verniciato a polvere
Piastra del sedile	Polipropilene, rinforzato con fibra di vetro
Rivestimento dello schienale	Nylon, rivestito in PVC
Poggiapiedi	Polipropilene, rinforzato con fibra di vetro
Bracciolo	Poliammide, rinforzato con fibra di vetro
Ruote orientabili	Plastica e acciaio inox

Tutti i componenti del prodotto sono resistenti alla corrosione e non contengono lattice di gomma naturale.

## 10.3 Parametri ambientali

Condizioni di funzionamento	
Temperatura ambiente	10 - 65 °C
Umidità relativa	15% - 93% non condensante
Pressione atmosferica	795 - 1060 hPa
Condizioni di conservazione e di trasporto	
Temperatura ambiente	0 - 65 °C

Umidità relativa	30% - 75% non condensante
Pressione atmosferica	795 - 1060 hPa



---

# Contenido

---

Este manual DEBE ser entregado al usuario final. ANTES de usar este producto lea este manual y guárdelo para futuras referencias.

<b>1 Generalidades</b>	<b>146</b>
1.1 Introducción	146
1.2 Símbolos empleados en este documento	146
1.3 Información sobre la garantía	147
1.4 Cumplimiento	147
1.4.1 Normas específicas del producto	147
1.5 Vida útil	147
<b>2 Seguridad</b>	<b>148</b>
2.1 Información de seguridad	148
2.2 Etiquetas y símbolos en el producto	149
<b>3 Descripción del producto</b>	<b>152</b>
3.1 Uso previsto	152
3.2 Piezas principales del producto	152
<b>4 Instalación</b>	<b>154</b>
4.1 Información de seguridad	154
4.2 Montaje de la silla de ducha e inodoro	154
4.2.1 Ajuste de la altura del asiento	154
4.2.2 Instalación del respaldo	155
4.2.3 Instalación del asa de activación	157
4.2.4 Instalación y retirada de la placa del asiento	157
4.2.5 Ajuste de la altura del reposabrazos	157
4.2.6 Instalación de los reposapiés	159
4.2.7 Instalación del reposacabezas	160
4.2.8 Instalación de los dispositivos antivuelco	160
4.2.9 Montaje/desmontaje de las cubiertas de los frenos / cubiertas de protección de las abrazaderas	161
4.3 Montaje de accesorios y opciones	162
4.3.1 Instalación/retirada del soporte de estructura de inodoro y estructura de inodoro	162
<b>5 Utilización</b>	<b>164</b>
5.1 Información de seguridad	164
5.2 Girar los reposabrazos	165
5.3 Giro de los reposapiés	166
5.4 Inclinación del chasis del asiento con respaldo	166
5.5 Inclinación del respaldo (solo para Ocean Dual VIP Ergo)	168
5.6 Acoplamiento/desacoplamiento de los bloqueos de las ruedas	169
<b>6 Transporte</b>	<b>170</b>
6.1 Información de seguridad	170
<b>7 Mantenimiento</b>	<b>171</b>
7.1 Mantenimiento e inspección	171
7.2 Limpieza y desinfección	171
7.2.1 Informazioni generali sulla sicurezza	171
7.2.2 Intervalli di pulizia	172
7.2.3 Limpieza	172
7.2.4 Instrucciones de desinfección	173
<b>8 Después del uso</b>	<b>174</b>
8.1 Almacenamiento	174
8.2 Reacondicionamiento	174
8.3 Eliminación	174
<b>9 Solución de problemas</b>	<b>175</b>
9.1 Identificación y reparación de fallos	175
<b>10 Datos Técnicos</b>	<b>176</b>
10.1 Dimensiones y peso	176
10.2 Materiales	178
10.3 Parámetros medioambientales	178

# 1 Generalidades

## 1.1 Introducción

Este manual del usuario contiene información importante sobre el manejo del producto. Para garantizar su seguridad al utilizar el producto, lea detenidamente el manual del usuario y siga las instrucciones de seguridad.

Utilice exclusivamente este producto si ha leído y comprendido este manual. Busque asesoramiento adicional de un profesional sanitario que esté familiarizado con su afección y expóngale todas las preguntas que tenga en relación con el uso correcto y el ajuste necesario.

Tenga en cuenta que puede haber secciones que no sean relevantes para su producto, ya que este documento se aplica a todos los modelos disponibles (en la fecha de impresión). A no ser que se indique lo contrario, cada una de las secciones de este documento hace referencia a todos los modelos del producto.

Los modelos y las configuraciones disponibles en su país pueden encontrarse en los documentos de venta específicos del país.

Invacare se reserva el derecho de modificar las especificaciones del producto sin previo aviso.

Antes de leer este documento, asegúrese de contar con la versión más reciente. Podrá encontrarla en formato PDF en el sitio web de Invacare.

Si la versión impresa del documento tiene un tamaño de letra que le resulta difícil de leer, podrá descargarlo en

formato PDF en el sitio web. Podrá ampliar el PDF en pantalla a un tamaño de letra que le resulte más cómodo.

Para obtener más información sobre el producto (por ejemplo, avisos de seguridad y retiradas de productos), póngase en contacto con un distribuidor de Invacare. Consulte las direcciones que figuran al final de este documento.

En caso de un accidente grave con el producto, informe al fabricante y a las autoridades competentes de su país.

## 1.2 Símbolos empleados en este documento

En este documento se utilizan símbolos y señales que hacen referencia a peligros o usos poco seguros que podrían provocar lesiones físicas o daños materiales. A continuación, se muestran las descripciones de estos símbolos.



### ADVERTENCIA

Indica una situación peligrosa que, si no se evita, podría tener como consecuencia la muerte o lesiones graves.



### PRECAUCIÓN

Indica una situación peligrosa que, si no se evita, podría tener como consecuencia lesiones leves o de poca gravedad.


**!** AVISO  
Indica una situación peligrosa que, si no se evita, puede tener como consecuencia daños en la propiedad.

**i** Consejos y recomendaciones  
Proporciona consejos útiles, recomendaciones e información para un uso eficiente y sin problemas.

### Otros símbolos

(No es aplicable a todos los manuales)

**UKRP** Persona responsable del Reino Unido  
Indica si un producto no se fabrica en el Reino Unido.

 Triman  
Indica las reglas de reciclaje y recogida selectiva (solo relevantes para Francia).

## 1.3 Información sobre la garantía

Ofrecemos la garantía del fabricante del producto conforme a nuestras Condiciones generales y Condiciones comerciales en los distintos países.

Las reclamaciones relativas a la garantía solo pueden efectuarse a través del distribuidor en el que se adquirió el producto.

## 1.4 Cumplimiento

La calidad es fundamental para el funcionamiento de nuestra empresa, que trabaja conforme a las normas ISO 13485.

1639504-G

Este producto lleva la marca CE según lo exigido en el Reglamento 2017/745 sobre productos sanitarios de clase I.

Este producto presenta la marca UKCA, según lo exigido en la parte II del MDR 2002 (enmendada) del Reino Unido de clase I.

Trabajamos continuamente para garantizar que se reduzca al mínimo el impacto medioambiental de la empresa, tanto a nivel local como global.

Solo utilizamos materiales y componentes que cumplen con las directivas REACH.

### 1.4.1 Normas específicas del producto

El producto ha sido sometido a pruebas y cumple las normas ISO 17966 (Productos de asistencia para la higiene personal que soportan a los usuarios) y las normas relacionadas. Esto incluye las pruebas relativas a la inflamabilidad. No se produce ignición por combustión progresiva ni ignición de llama.

Para obtener más información sobre las normativas locales, póngase en contacto con el representante local de Invacare. Consulte las direcciones al final de este documento.

## 1.5 Vida útil

La vida útil prevista para este producto es de cinco años, siempre y cuando se utilice diariamente y de conformidad con las instrucciones de seguridad, se respeten los intervalos de mantenimiento y se utilice correctamente según lo establecido en este manual. La vida útil real puede variar en función de la frecuencia y la intensidad del uso.

## 2 Seguridad

### 2.1 Información de seguridad



#### ¡ADVERTENCIA!

##### Riesgo de daños o lesiones graves

Un uso incorrecto de este producto puede provocar lesiones o daños.

- Si tiene alguna duda relacionada con las advertencias, precauciones o instrucciones, póngase en contacto con un profesional sanitario o con su proveedor antes de intentar utilizar este equipo.
- No utilice este producto ni cualquier otro equipo opcional disponible sin antes haber leído y comprendido estas instrucciones y cualquier otro material informativo adicional, como el manual del usuario, manuales de servicio u hojas de instrucciones proporcionados con este producto o equipo opcional.



#### ¡ADVERTENCIA!

##### Riesgo de lesiones

- Antes de cada uso, compruebe que el producto no esté dañado y asegúrese de que esté montado de forma segura.
- Antes de utilizarlo por primera vez, limpie a fondo el producto.



#### ¡ADVERTENCIA!

##### Riesgo de lesiones

Un uso incorrecto de este producto puede provocar lesiones o daños.

- No utilice el producto si está defectuoso.
- En caso de producirse un fallo en el funcionamiento, póngase en contacto con su proveedor inmediatamente.
- No realice ningún cambio ni modificación en el producto sin autorización.
- Utilice solo accesorios y opciones diseñados para este producto.



#### ¡ADVERTENCIA!

##### Riesgo de lesiones

Un uso incorrecto de este producto puede provocar lesiones o daños.

- No levante el producto cuando soporte una carga.
- No se ponga de pie sobre el producto.



## ¡PRECAUCIÓN!

### Riesgo de lesiones

El uso de piezas incorrectas o que no sean originales puede afectar el funcionamiento y la seguridad del producto.

- Utilice solo piezas originales para usar el producto.
- Debido a las diferencias regionales, consulte el sitio web o el catálogo local de Invacare para ver las opciones disponibles o póngase en contacto con el representante local de Invacare. Consulte las direcciones al final de este documento.



## AVISO

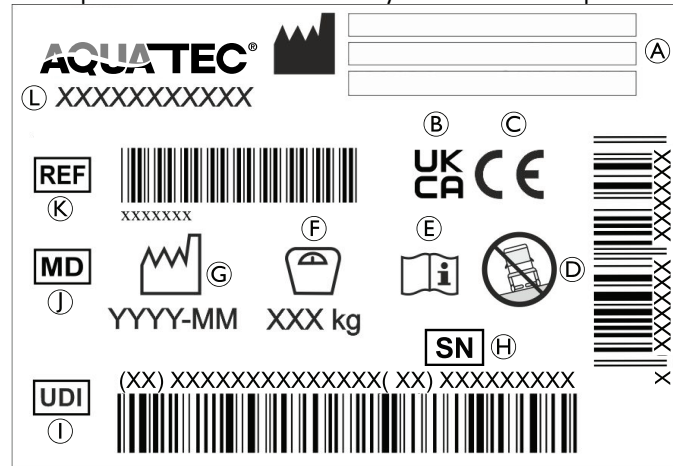
Al combinar este producto con otro, las restricciones de ambos productos se aplican a la combinación. Por ejemplo, el peso del usuario máximo de uno de los productos de la combinación puede ser menor.

- Utilice solo combinaciones permitidas por Invacare. Póngase en contacto con su distribuidor de Invacare si desea más información.
- Antes del uso, lea el manual del usuario de cada producto y compruebe las restricciones. Es necesario el pleno cumplimiento de la información, las instrucciones y las recomendaciones contenidas en ambos manuales del usuario para un uso seguro del dispositivo.

## 2.2 Etiquetas y símbolos en el producto


### Etiqueta de identificación

La etiqueta de identificación incluye información importante:




(A)	Dirección del fabricante
(B)	Conformidad del Reino Unido evaluada
(C)	Conformidad europea
(D)	Solo para uso en suelo uniforme
(E)	Lea el manual del usuario
(F)	Peso máximo de usuario
(G)	Fecha de fabricación


Ⓜ	Número de serie
①	Identificador único de dispositivo
①	Producto sanitario
Ⓚ	Referencia de producto
Ⓛ	Nombre del producto

 La etiqueta de identificación está fijada en el interior de la parte lateral izquierda.


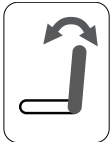
### Etiquetas del producto

La siguiente etiqueta está fijada en la parte posterior del reposacabezas:	
Etiqueta	Descripción
	<p><b>¡PRECAUCIÓN!</b></p> <p>Riesgo de impacto</p> <p>El respaldo/reposacabezas puede golpearle el cuerpo al tirar del asa de activación.</p> <p>– Asegúrese de que hay suficiente espacio entre usted y el respaldo/reposacabezas al inclinar el chasis del asiento con respaldo.</p>

La siguiente etiqueta está fijada en el asa del respaldo:

Etiqueta	Descripción
	<p><b>¡ADVERTENCIA!</b></p> <p>Riesgo de volcado</p> <p>– No se ponga de pie sobre los reposapiés al subir o bajar de la silla de ducha e inodoro.</p> <p>– Empuje los reposapiés hacia los lados o pliegue las paletas de los reposapiés antes de subirse o bajarse de la silla de ducha e inodoro.</p> <p>– Antes de sentarse o de levantarse, gire las ruedas de modo que el bloqueo apunte hacia delante.</p> <p>– No se incline demasiado hacia delante al sentarse en la silla de ducha e inodoro.</p>

Las siguientes etiquetas están fijadas en las asas de activación:

Etiqueta	Descripción
	Asa de activación para la inclinación del asiento.
	Asa de activación solo para la inclinación del respaldo.

## 3 Descripción del producto

### 3.1 Uso previsto

Aquatec Ocean VIP Ergo y Aquatec Ocean Dual VIP Ergo son sillas de ducha e inodoro móviles con función de inclinación del asiento, chasis de acero inoxidable, altura del asiento ajustable individualmente, respaldo de tensión regulable, reposabrazos ajustables y paletas de reposapiés con textura de ángulo regulable y plegables. El producto también está disponible con una función de reclinación del respaldo adicional.

Estas sillas de ducha e inodoro móviles están diseñadas para utilizarlas como apoyo en todas las actividades de higiene personal con o sin asistencia en instituciones sanitarias y en hogares particulares.

Temperatura de uso (solo en interiores): De 10 a 65 °C

#### Usuarios previstos

El usuario previsto es la persona que se sienta en la silla de ducha e inodoro o un asistente. El dispositivo puede utilizarse para adolescentes o adultos que tengan una estatura igual o superior a 146 cm, un peso igual o superior a 40 kg y un índice de masa corporal (IMC) igual o superior a 16.

Consulte el peso máximo del usuario en *10 Datos Técnicos, página 176*

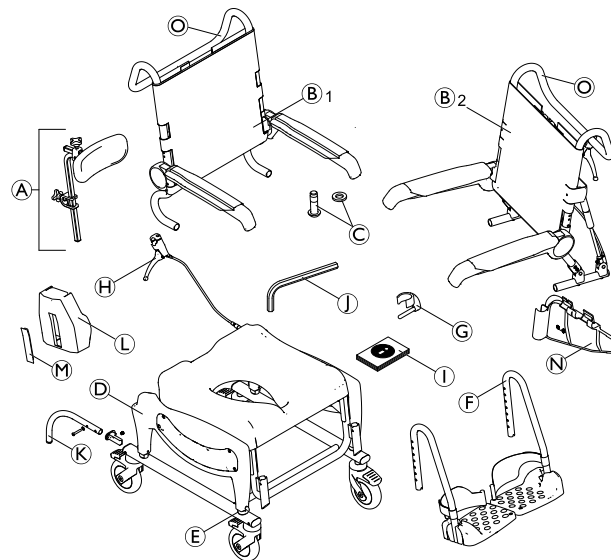
#### Indicaciones

- Dificultad para mantener el equilibrio o permanecer de pie

- Piernas débiles o discapacidad de las extremidades inferiores
- Condiciones médicas que afecten negativamente a su equilibrio

No existen contraindicaciones conocidas cuando el producto se utiliza del modo previsto.

### 3.2 Piezas principales del producto

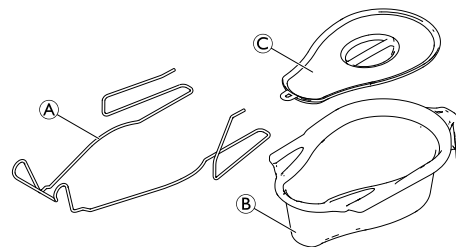


(A)	Reposacabezas
(B <sub>1</sub> )	<b>Ocean VIP Ergo:</b> respaldo con funda del respaldo y reposabrazos



Ⓑ <sub>2</sub>	<b>Ocean Dual VIP Ergo:</b> respaldo con funda del respaldo, reposabrazos y asa de activación para inclinación del respaldo
Ⓒ	Tornillos (4) y arandelas (4) para la fijación del respaldo
Ⓓ	Chasis del asiento con placa del asiento y piezas laterales con chasis inferior y ruedas giratorias
Ⓔ	Ganchos (4) para el ajuste de la altura
Ⓕ	Reposapiés con correas para el talón (2)
Ⓖ	Clips (2) para reposapiés
Ⓗ	Asa de activación para la inclinación del asiento
Ⓘ	Manual del usuario
Ⓙ	Llave Allen
Ⓚ	Dispositivo antivuelco trasero con tornillo, arandela y tapa de montaje (2) (solo para Ocean Dual VIP Ergo)
Ⓛ	Cubierta del freno (2)
Ⓜ	Cubierta de la palanca del freno (2)
Ⓝ	Cubierta de protección de la abrazadera (2)
Ⓞ	Barra de empuje

### Soporte de estructura de inodoro con estructura de inodoro (opcional)



Ⓐ	Soporte de estructura de inodoro
Ⓑ	Inodoro
Ⓒ	Tapa

## 4 Instalación

### 4.1 Información de seguridad



#### ¡ADVERTENCIA!

- Antes de utilizar la silla, compruebe si los componentes han sufrido algún daño durante el transporte y póngase en contacto con el proveedor si es necesario.
- Durante el montaje, compruebe que las piezas estén correctamente colocadas unas con respecto a las otras.
- Se utilizan tornillos de seguridad, tuercas o adhesivo de bloqueo de roscas para varias conexiones. Si estos se aflojan, deberán sustituirse por nuevos tornillos de seguridad o tuercas, o deberán fijarse con nuevo adhesivo de bloqueo.



#### ¡PRECAUCIÓN!

#### Riesgo de atrapamiento

- Tenga cuidado durante el montaje.

### 4.2 Montaje de la silla de ducha e inodoro

En esta sección se describe el montaje. El desmontaje se lleva a cabo en el orden inverso.



La altura del reposabrazos, la altura del reposapiés, el ángulo del reposapiés, el reposacabezas la correa para el talón, la tensión de la funda del respaldo y los accesorios/opciones deben ajustarse para que se adapten de forma óptima al usuario.

#### 4.2.1 Ajuste de la altura del asiento

En esta sección se describe el montaje. El desmontaje se lleva a cabo en el orden inverso.

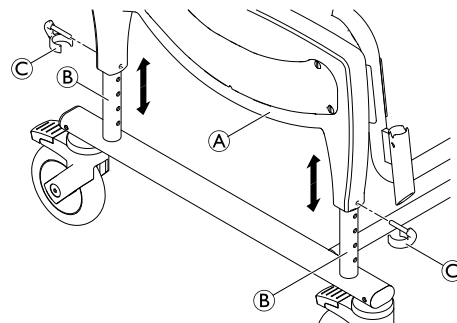


#### ¡ADVERTENCIA!

- No ajuste la altura del asiento de la silla de ducha e inodoro mientras haya alguien sentado en ella.



La altura del asiento debe ajustarse en ambos lados simultáneamente.



1. Eleve ligeramente la silla de ducha e inodoro en la parte lateral (A).
2. Retire los cuatro clips © (dos a cada lado).

3. Regule la altura correcta del asiento desplazando simultáneamente el chasis del asiento hacia arriba o abajo en los cuatro tubos ⑥ del chasis inferior.
4. Haga coincidir los soportes de los clips de la parte lateral con un orificio del chasis inferior.
5. Introduzca los cuatro clips desde fuera en la parte lateral, hasta que los bordes de los clips rodeen el tubo del chasis inferior ⑥.



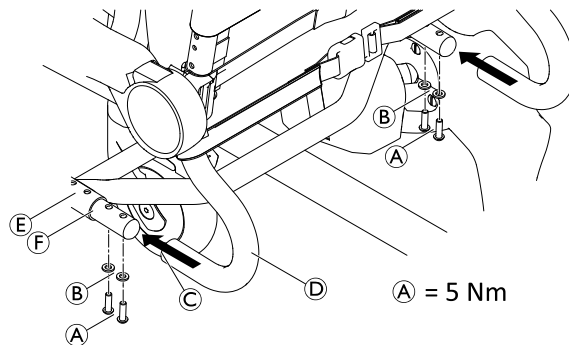
**¡ADVERTENCIA!**  
**Riesgo de lesiones**

- Asegúrese de que los cuatro clips están bien sujetos.
- Asegúrese de que los cuatro tubos estén ajustados a la misma altura.



La altura del asiento se puede ajustar para adaptarse a distintas situaciones de uso, por ejemplo, el traslado desde una cama o una silla de ruedas o el uso sobre un inodoro, etc.

#### 4.2.2 Instalación del respaldo



1. Empuje hacia abajo los cuatro pedales de las ruedas para bloquearlas.
2. Empuje el respaldo ④ desde detrás en el chasis del asiento ⑤, hasta que la parte del cuello ③ toque el tubo del chasis del asiento ⑥.



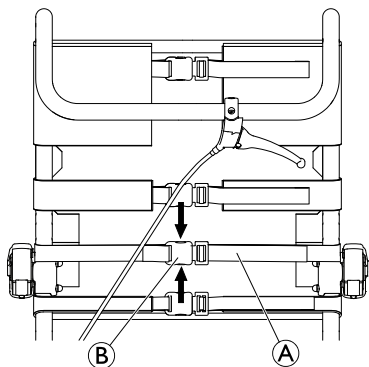
**AVISO**

- Apriete fuerte los tornillos con la llave Allen suministrada.
- Compruebe periódicamente los tornillos para asegurarse de que están bien ajustados.

3. Coloque una arandela ② en cada tornillo ① y fije ambos lados del respaldo.
4. Apriete los tornillos con un par de torsión de 5 Nm.

#### Ajuste de la funda del respaldo

La tensión del respaldo se puede ajustar según sea necesario.



### ¡ADVERTENCIA!

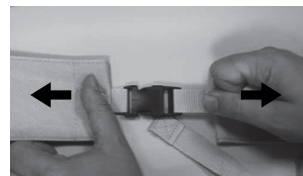
– Asegúrese de que se pasan al menos tres cinturones alrededor del chasis del respaldo (en la parte exterior) y de que las hebillas de los cinturones están sujetas.

Para tensar:

1. Apriete los cinturones ① de la funda del respaldo.

Para aflojar:

1. Abra las hebillas ② presionando los salientes de sujeción (flechas).
2. Afloje un poco los cinturones a través de la hebilla.
3. Apriete las hebillas de los cinturones.
4. Vuelva a apretar suavemente los cinturones.



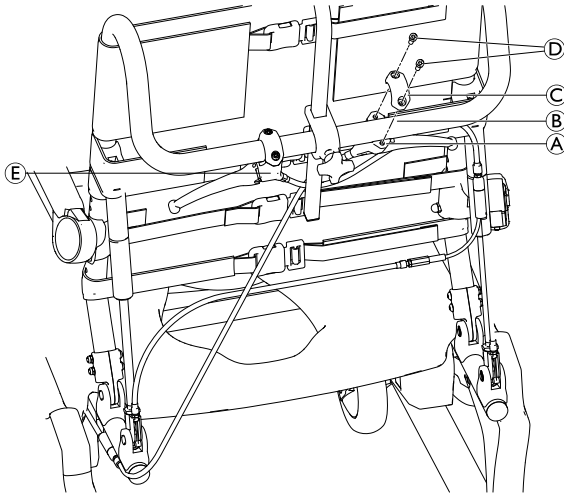
### ¡ADVERTENCIA!

**Riesgo de lesiones causadas por hebillas del respaldo en mal estado.**


Compruebe que las hebillas del respaldo estén bien sujetas, siempre que proceda al mantenimiento o reacondicionamiento del producto.

- Compruebe que todos los clips de las hebillas estén bien sujetos cerrando las hebillas y tirando de ambos extremos.
- Sustituya el respaldo o las hebillas del respaldo si se abre una hebilla debido a la fuerza aplicada.

### 4.2.3 Instalación del asa de activación



1. Retire la pieza de sujeción © del asa de activación Ⓐ aflojando los tornillos Ⓓ.
2. Coloque el asa de activación Ⓐ para la inclinación del asiento desde la parte inferior en el lado derecho del tubo del asa Ⓑ.

 El asa debe estar ligeramente girada hacia adentro del respaldo.

3. Instale el asa de activación en el tubo del asa mediante la pieza de sujeción © y los tornillos Ⓓ.



Para el modelo Ocean Dual VIP Ergo, el asa de activación Ⓔ para la inclinación del respaldo ya está instalada en el lado izquierdo del tubo del asa. La posición del asa de activación se puede cambiar si es necesario.

### 4.2.4 Instalación y retirada de la placa del asiento

#### Instalación

1. Coloque la placa del asiento sobre el chasis del asiento con la entalladura hacia delante.
2. Con la palma de la mano, presione la placa del asiento en los laterales y después por delante y por detrás hasta que esta encaje en el chasis del asiento.

#### Desmontaje

1. Tire de la placa del asiento hacia arriba en la parte trasera.

### 4.2.5 Ajuste de la altura del reposabrazos

1. En la funda del respaldo, abra la hebilla del cinturón que pasa por el interior del chasis del respaldo.
2. Abra la hebilla del cinturón de la funda del respaldo, que va por encima del reposabrazos.



Al ajustarlo en una posición inferior, es necesario abrir la correa situada debajo del reposabrazos.

3. Pase este cinturón por el interior del chasis del respaldo y vuelva a cerrar la hebilla.

4.

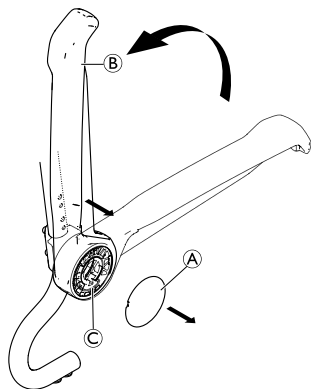


Fig. 4-1

Retire la tapa (A).

5. Abata el reposabrazos (B) para retirarlo del soporte de reposabrazos (C).

6.

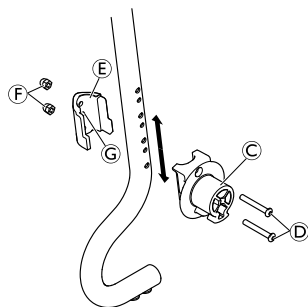




Fig. 4-2

Retire los tornillos (D) del soporte de reposabrazos (C) con la llave Allen suministrada.

7. Quite la abrazadera de sujeción (E) con las tuercas (F) desde el interior del chasis del respaldo.

 Las tuercas están flojas dentro de la abrazadera de sujeción y pueden caerse.

8. Para volver a instalar soporte del reposabrazos y fijar la abrazadera en la posición deseada, inserte los tornillos (D) en el soporte del reposabrazos y páselos por los orificios deseados del chasis del respaldo.

 Los orificios más pequeños del interior del chasis del respaldo fijan la abrazadera de sujeción.

9. Coloque la abrazadera de fijación de tal forma que la fijación (G) de la abrazadera de sujeción encaje en un orificio más pequeño.

10. Apriete los tornillos (D) a 5 - 6 Nm y las tuercas (F).

11.

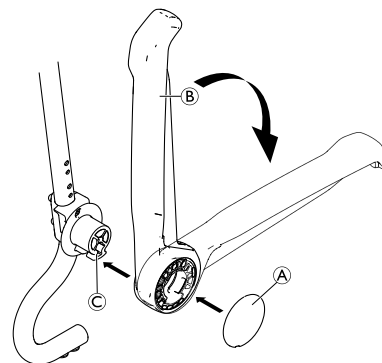



Fig. 4-3

Vuelva a instalar reposabrazos (B) sobre el soporte (C).

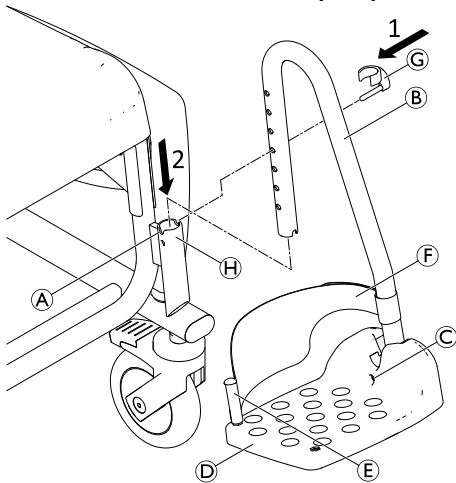
12. Pliegue el reposabrazos.






13. Vuelva a instalar la tapa (A).


14. Pase el cinturón abierto de la funda del respaldo sobre la parte exterior del chasis del respaldo, cierre las hebillas y apriete todos los cinturones.
15. El procedimiento de ajuste de la altura es igual para el reposabrazos izquierdo y derecho.

 Para instalar accesorios/opciones, se puede abrir el tercer cinturón empezando por arriba y la funda del respaldo se puede pasar por el interior del chasis del respaldo.


#### 4.2.6 Instalación de los reposapiés


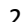



1. Inserte el pasador del clip  desde el exterior en el orificio necesario del reposapiés . Asegúrese de que el clip se encaja alrededor del tubo.
2. Presione el reposapiés en la guía  en la parte delantera del lateral hasta que el pasador del clip  encaje en la ranura . El reposapiés ya no podrá girar hacia el lateral.


 El procedimiento de montaje es igual para el reposapiés derecho e izquierdo.

#### Ajuste de la altura de los reposapiés

 Los reposapiés se pueden acortar si es necesario (consulte el manual de servicio). El acortamiento de los reposapiés deberá realizarlo un técnico cualificado.

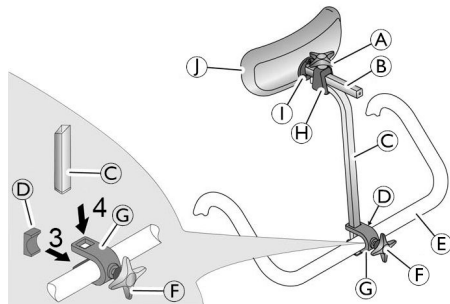
1. Tire ligeramente hacia arriba del reposapiés .
2. Tire del clip  para sacarlo del orificio en el reposapiés y vuelva a insertarlo en el orificio necesario. Tire del reposapiés un poco más hacia fuera si es necesario.
3. Presione el reposapiés hacia abajo hasta que la ranura  encaje en el pasador del clip.
4. Ajuste el otro reposapiés a la altura necesaria según se ha descrito.

#### Ajuste de la inclinación de las paletas de los reposapiés

 La inclinación de las paletas de los reposapiés se puede ajustar de muchas formas.

1. Afloje el tornillo Allen © de la paleta del reposapiés con una llave Allen tamaño 4.
2. Gire la paleta del reposapiés © hasta la posición necesaria.
3. Vuelva a apretar el tornillo Allen.

#### 4.2.7 Instalación del reposacabezas



1. Utilice la palomilla © para insertar el tornillo un poco en el soporte ©.
2. Presione la abrazadera con el tornillo sobre la barra de empuje © desde la parte de atrás de tal forma que el tornillo encaje en el orificio de la barra de empuje.
3. Introduzca la placa © en la abrazadera desde la parte frontal de modo que los dos salientes de la placa queden hacia arriba y hacia abajo y el lateral curvado de la misma toque la barra de empuje.
4. Presione el tubo de ajuste de la altura © desde arriba para que se inserte en los huecos del soporte.
5. Utilice la palomilla para apretar el tornillo hasta que el ajuste de la altura quede fijo en su posición.

6. Presione el cojín © y su soporte © para que se inserten en el soporte © del tubo de ajuste de la altura.
7. Utilice la palomilla © para apretar el tornillo superior hasta que el soporte del cojín quede fijo en su posición.



Para adaptarla al usuario, el tubo de ajuste de altura se puede colocar con la manilla hacia adelante o atrás.

El cojín del reposacabezas © puede quitarse y sustituirse por un cojín con otra forma (opcional). Para extraerlo, afloje los tornillos de retención ©.

#### Ajuste de la longitud del reposacabezas



Los tubos del reposacabezas © y © se pueden acortar si es necesario (consulte el manual de servicio). La reducción del tubo del reposacabezas deberá realizarlo un técnico cualificado.

#### 4.2.8 Instalación de los dispositivos antivuelco



##### ¡ADVERTENCIA! Riesgo de volcado

Existe el riesgo de lesiones graves cuando el respaldo de la Ocean Dual VIP Ergo está inclinado. Toda la silla podría volcar hacia atrás.

- Antes de usar la Ocean Dual VIP Ergo, compruebe que ambos dispositivos antivuelco traseros estén instalados.

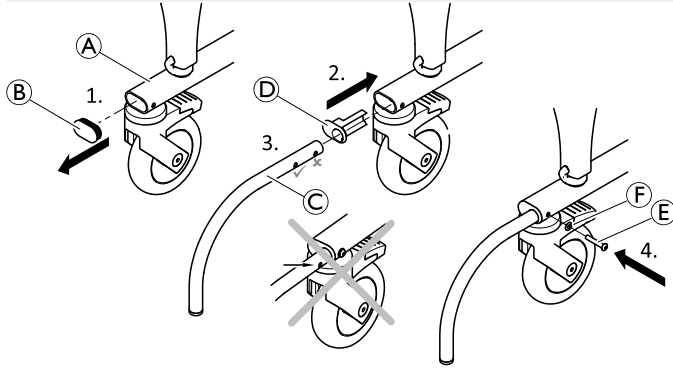




**¡ADVERTENCIA!**

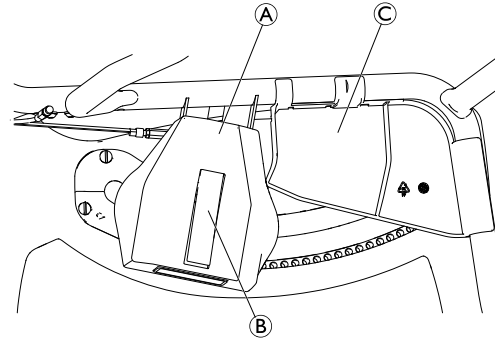
**Riesgo de lesiones**

– No se ponga nunca de pie sobre los dispositivos antivuelco.



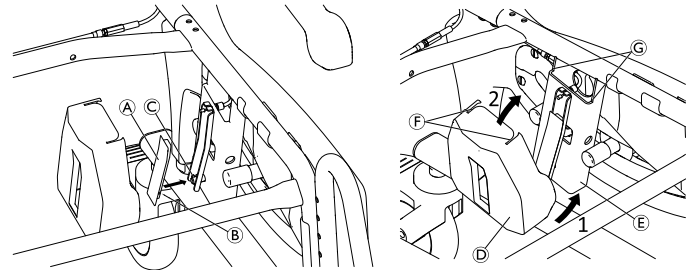
1. Retire la tapa **B** del chasis inferior **A**.
2. Instale la tapa de montaje **D** en el chasis inferior.
3. Inserte el tubo antivuelco **C**.
4. Fije el dispositivo antivuelco insertando el tornillo en su segundo orificio **E** y la arandela **F**.
5. Instale el segundo dispositivo antivuelco en el otro lado.

**4.2.9 Montaje/desmontaje de las cubiertas de los frenos / cubiertas de protección de las abrazaderas**



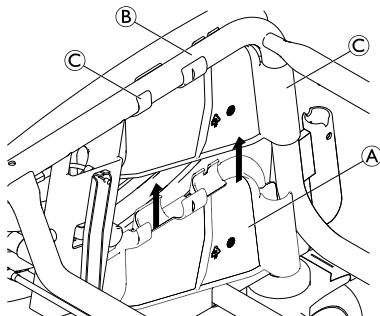
<b>A</b>	Cubierta del freno
<b>B</b>	Cubierta de la palanca del freno
<b>C</b>	Cubierta de protección de la abrazadera

**Cubierta del freno**



1. Coloque la cubierta de la palanca del freno (A) fijando la ranura (B) al eje pequeño (C).
2. Sitúe la parte inferior de la cubierta del freno (D) en ángulo desde debajo sobre la carcasa del freno (E).
3. Doble la parte superior de la cubierta del freno sobre la carcasa del freno de modo que las ranuras (F) queden alineadas con los bordes (G).
4. Instale la segunda cubierta del freno en el otro lado.

#### Cubierta de protección de la abrazadera



1. Instale la cubierta de protección de la abrazadera (A) encajándola en los tubos del chasis (B). Asegúrese de que todos los clips (C) están bien encajados.
2. Instale la segunda cubierta de protección de la abrazadera en el otro lado.

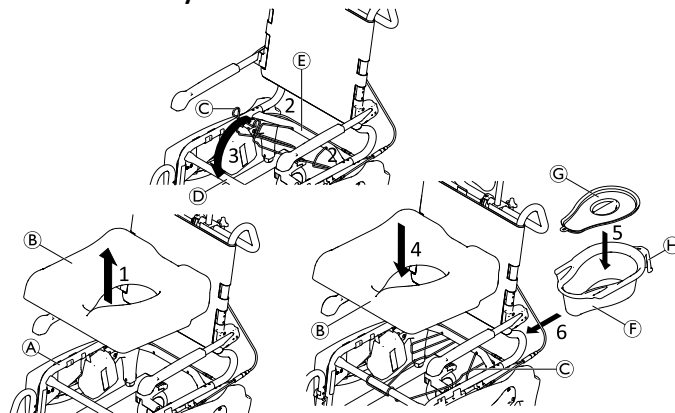
## 4.3 Montaje de accesorios y opciones



### ¡ADVERTENCIA! Riesgo de lesiones


– El montaje de los accesorios y las opciones debe llevarse a cabo según las instrucciones correspondientes.

#### 4.3.1 Instalación/retirada del soporte de estructura de inodoro y estructura de inodoro



La estructura de inodoro (F) se puede instalar/retirar con o sin la tapa (G).

1. Retire la placa del asiento (B) del chasis (A).
2. Coloque los extremos del soporte de estructura de inodoro (C) en los orificios del tubo cruzado trasero (E).
3. Fije la parte delantera del soporte de estructura de inodoro con el tubo cruzado delantero (D).

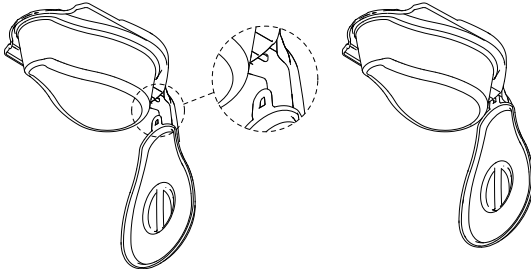
4. Vuelva a instalar la placa del asiento en el chasis.
5. Coloque la tapa o retírela de la estructura de inodoro.
6. Sostenga la estructura de inodoro por el asa  e insértela desde el lateral trasero entre el soporte de estructura de inodoro y el asiento.



Empuje ligeramente hacia abajo la estructura de inodoro al insertarla o retirarla.



La tapa se puede colgar del gancho de plástico en la parte inferior del asa de la estructura de inodoro.



## 5 Utilización

### 5.1 Información de seguridad



#### ¡ADVERTENCIA!

- Utilice la silla de ducha e inodoro únicamente sobre una superficie plana y en interiores.
- Tenga en cuenta las especificaciones de la etiqueta de identificación. No sobrecargue la silla de ducha e inodoro.
- Tenga en cuenta las etiquetas de seguridad de la parte posterior del reposacabezas y del asa del respaldo, *2.2 Etiquetas y símbolos en el producto, página 149*
- No coloque un peso excesivo sobre la silla de ducha e inodoro.
- Antes de utilizar el producto, realice siempre una inspección visual del mismo para detectar posibles daños externos.



#### ¡ADVERTENCIA!

##### Riesgo de deslizamiento y volcado

- Antes de usar la silla, compruebe que el asiento está bien fijado a su chasis
- Bloquee todas las ruedas con las lengüetas azules de pie antes de sentarse en la silla de ducha e inodoro o de levantarse de ella, y también en la posición de estacionamiento.



#### ¡ADVERTENCIA!

##### Riesgo de volcado

- Gire los reposapiés hacia el lateral o pliegue hacia arriba las paletas de los reposapiés antes de sentarse o de levantarse.
- Antes de sentarse o de levantarse, gire las ruedas delanteras de tal forma que el bloqueo quede orientado hacia delante.
- Nunca se ponga de pie sobre los reposapiés.
- No se incline demasiado hacia delante.
- Solo empuje al usuario sentado en la silla de ducha e inodoro cuando el chasis del asiento y el respaldo estén colocados en posición vertical.
- Solo traslade al usuario desde o hacia la silla de ducha e inodoro cuando el chasis del asiento y el respaldo estén colocados en posición vertical.
- No retire nunca los resortes neumáticos (solo para Ocean Dual VIP Ergo).



#### ¡ADVERTENCIA!

##### Riesgo de lesiones

- Antes de usar el asiento blando variable (opcional), tienen que estar instaladas las fundas laterales.



#### ¡ADVERTENCIA!

##### ¡Riesgo de volcado hacia atrás!

- El Ocean Dual VIP Ergo solo se puede usar, si están instalados los dispositivos antivuelco traseros.

**¡ADVERTENCIA!****Riesgo de volcado**

- La silla de ducha e inodoro solo se puede mover mediante la barra de empuje.

**¡PRECAUCIÓN!****Riesgo de quemaduras en la piel**

- Los componentes del producto pueden calentarse si se exponen a fuentes de calor externas.
- Tenga en cuenta las superficies calentadas al utilizar la silla de ducha e inodoro en la sauna o si se expone al agua caliente.
  - No exponga el producto a la luz solar directa antes de utilizarlo.

**¡PRECAUCIÓN!****Riesgo de atrapamiento debido al mecanismo de inclinación**

- Al inclinar el chasis del asiento o el respaldo, asegúrese de que los brazos del usuario estén situados sobre los reposabrazos o doblados delante del cuerpo.
- Compruebe que la cubierta de protección de las abrazaderas está instalada en el chasis, consulte *4.2.9 Montaje/desmontaje de las cubiertas de los frenos / cubiertas de protección de las abrazaderas, página 161*

**AVISO****Riesgo de rotura del reposacabezas**

- Empuje y conduzca la silla de ducha e inodoro únicamente con el asa del respaldo, nunca con el reposacabezas.

**AVISO****Riesgo de dañar el producto**

- No eleve la silla de ducha e inodoro por los reposapiés, los reposabrazos o cualquier accesorio/opción.



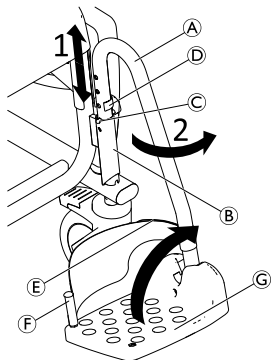
En el caso de usuarios con alto riesgo de ponerse de pie sobre los reposapiés (por ejemplo, con demencia), se encuentran disponibles dispositivos antivuelco frontales (opcionales) para evitar que la silla de ducha e inodoro se vuelque hacia delante.

## 5.2 Girar los reposabrazos

**¡PRECAUCIÓN!****Riesgo de pillarse los dedos**

- No meta los dedos entre el reposabrazos y el respaldo al plegar los reposabrazos.

## 5.3 Giro de los reposapiés



### Posición de subida/posición de bajada:

1. Tire ligeramente hacia arriba del reposapiés **A** por la guía **B** hasta que el pasador del clip **D** ya no encaje en la ranura **C**.
2. Gire el reposapiés hacia el lateral.

### Posición de marcha:



#### ¡PRECAUCIÓN!

**Riesgo de accidente debido a reposapiés sueltos**  
– Fije los reposapiés en la posición de marcha.

1. Gire el reposapiés **A** hacia adentro.
2. Presione el reposapiés hacia abajo hasta que el pasador del clip **D** encaje en la ranura **C**.



Como alternativa, las paletas del reposapiés **G** pueden girarse hacia arriba para subirse/bajarse a la silla de ducha e inodoro.

## Sustitución de la correa del talón

1. Abra la tira de gancho y bucle **E** de la correa para el talón.
2. Quite el tornillo **F** de la parte inferior de la paleta del reposapiés.
3. Retire la correa para el talón del pasador de plástico flexible.



Para montar la correa, siga el mismo procedimiento en el orden inverso.



Al instalarla, compruebe que la tira de gancho y bucle de la correa para el talón queda orientada hacia atrás.

## 5.4 Inclinación del chasis del asiento con respaldo



#### AVISO

– No acceda nunca al área entre las piezas laterales y la estructura tubular al inclinar.

### Inclinación hacia atrás o hacia delante



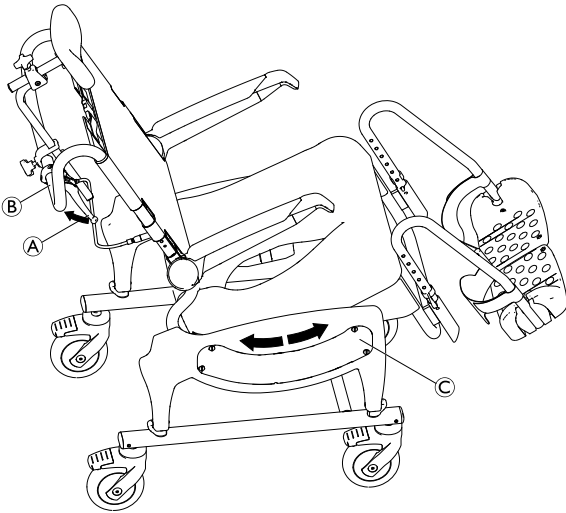
El chasis del asiento se puede inclinar unos 40° hacia atrás junto al respaldo.



Los topes de inclinación (opcionales) están disponibles para evitar que el producto se incline hacia delante hasta un ángulo inferior a 0°.



Para las dos alturas del asiento más bajas, no puede utilizarse el intervalo de ajuste completo del reposapiés. Antes de su uso, compruebe que los reposapiés no tocan el suelo al inclinar el asiento hacia delante. Si es necesario vuelva a ajustar la altura del asiento o del reposapiés según corresponda.



### ¡PRECAUCIÓN!

#### Riesgo de aplastamiento

Sus dedos o manos podrían quedar atrapados o aplastados por el mecanismo de inclinación.

– Antes de cada uso, asegúrese de que las cubiertas de las piezas laterales © del mecanismo de inclinación están montadas correctamente.

1. Empuje hacia abajo los cuatro pedales de las ruedas para bloquearlas.
2. Sujete la silla de ducha por su barra de empuje ②.
3. Tire del asa de activación ① y sujétela.
4. Ajuste la inclinación necesaria empujando hacia abajo o tirando hacia arriba del asa ②.
5. Suelte el asa de activación y deje que los pasadores del mecanismo de inclinación encajen en los orificios más cercanos. El chasis del asiento se fija en la inclinación ajustada actualmente.

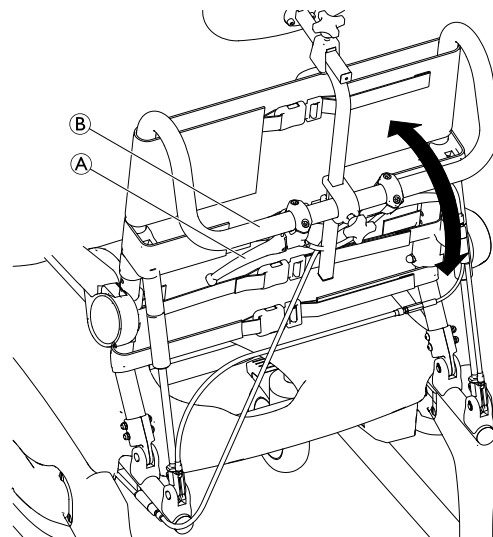
## 5.5 Inclinación del respaldo (solo para Ocean Dual VIP Ergo)



### ¡PRECAUCIÓN!

Riesgo de que los dedos queden atrapados entre el soporte del reposabrazos y la parte lateral

- No acceda nunca al área situada entre el soporte del reposabrazos y la parte lateral al inclinar hacia atrás el chasis del asiento o al bajar el respaldo.
- Al inclinar el chasis del asiento o el respaldo, asegúrese de que los brazos del usuario estén situados sobre los reposabrazos o doblados delante del cuerpo.




1. Empuje hacia abajo los cuatro pedales de las ruedas para bloquearlas.
2. Sujete la silla de ducha por su barra de empuje **B**.
3. Tire del asa de activación **A** y sujétela.



El asa de activación está equipada con un dispositivo de bloqueo. Para activar el asa, antes se debe tirar del dispositivo de bloqueo.

4. Ajuste el respaldo hasta la posición necesaria.
5. Suelte el asa de activación para fijar el respaldo en la posición actual.



 Es necesaria más fuerza para inclinar el respaldo hacia atrás cuando no está sentado el usuario. El respaldo se inclina hacia arriba de forma automática cuando el usuario no está sentado si se tira del asa de activación.

## 5.6 Acoplamiento/desacoplamiento de los bloqueos de las ruedas

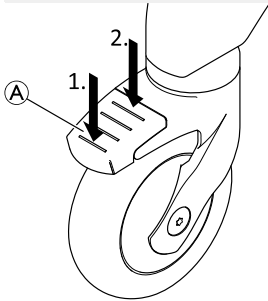




### ¡PRECAUCIÓN!

**Riesgo de atrapamiento o aplastamiento de los dedos**

Todos los bloqueos de las ruedas se accionan con los pies.

– No accione los bloqueos de las ruedas con las manos.



1. Para bloquear los bloqueos de las ruedas, pise el extremo trasero del pedal **A** hasta que encaje.
  -  La rueda está ahora en posición de bloqueo y no puede girar más.
2. Para desbloquear los bloqueos de las ruedas, pise el extremo delantero del pedal **A** hasta que se desenganche.
  -  La rueda con el pedal azul (bloqueo de dirección opcional) se acopla al bloqueo de giro para facilitar el movimiento recto.

## 6 Transporte

### 6.1 Información de seguridad



El producto puede desmontarse para su transporte en las piezas que se suministran en la entrega; consulte el capítulo 3.2 *Piezas principales del producto*, página 152

1. Desmonte el producto; consulte el capítulo 4 *Instalación*, página 154 siguiendo los pasos de montaje en el orden inverso.



#### **AVISO**

- **Riesgo de dañar el producto**
  - Transporte el producto en una zona seca.
  - No exponga el producto a la luz solar directa.
  - Consulte las condiciones de envío y almacenamiento en el capítulo 10.3 *Parámetros medioambientales*, página 178



#### **AVISO**

- - Se utilizan tornillos de seguridad, tuercas o adhesivo de bloqueo de roscas para varias conexiones. Si estos se aflojan, deberán sustituirse por nuevos tornillos de seguridad o tuercas, o deberán fijarse con nuevo adhesivo de bloqueo.

## 7 Mantenimiento

### 7.1 Mantenimiento e inspección

Si se respetan las instrucciones de seguridad y limpieza indicadas a continuación, el producto no precisa ningún mantenimiento.

Para garantizar un óptimo funcionamiento y la máxima seguridad, deben realizarse periódicamente las siguientes comprobaciones:

- Compruebe con regularidad que el producto y los accesorios/opciones no estén dañados. No utilice el producto si está defectuoso.
- Compruebe la función de inclinación del chasis del asiento y el respaldo (Ocean Dual VIP Ergo). Son obligatorios una inclinación sencilla y un bloqueo seguro de la posición.
- Si no es posible realizar la función de inclinación a un ángulo inferior a 0°, retire los topes de inclinación (opcional) si fuera necesario.
- En caso de daño o de funcionamiento incorrecto, se recomienda ponerse en contacto con el proveedor.
- Asegúrese de que el producto está montado de forma segura, incluidas todas las cubiertas de protección, y de que los tornillos están apretados correctamente.



#### ¡ADVERTENCIA!

##### Riesgo de lesiones y daños

Si el producto no está ajustado correctamente, puede provocar accidentes y lesiones graves.

- El producto deberá repararlo un técnico cualificado.
- Las partes dañadas deberá sustituirlas un técnico cualificado.
- Utilice solo recambios originales de Invacare.

### 7.2 Limpieza y desinfección

#### 7.2.1 Informazioni generali sulla sicurezza



#### AVVERTENZA!

##### Rischio di contaminazione

- Adottare opportune precauzioni per la propria protezione e utilizzare un'attrezzatura protettiva adeguata.



### AVVISO!

Liquidi inappropriati o metodi errati potrebbero danneggiare il prodotto.

- Tutti i prodotti detergenti e disinfettanti utilizzati devono essere efficaci, compatibili tra loro e devono proteggere i materiali su cui vengono utilizzati durante la pulizia.
- Non utilizzare mai liquidi corrosivi (sostanze alcaline, acidi, ecc.) o detergenti abrasivi. Si consiglia di utilizzare un normale prodotto detergente per la casa, come un detersivo liquido per i piatti, a meno che non siano state fornite indicazioni diverse nelle istruzioni di pulizia.
- Non utilizzare mai solventi (diluente per cellulosa, acetone, ecc.) che modificano la struttura della plastica o che sciolgono le etichette applicate.
- Prima di utilizzare il prodotto, assicurarsi sempre che sia completamente asciutto.



Per la pulizia e la disinfezione in ambienti clinici o di assistenza a lungo termine, seguire le procedure interne della struttura.

## 7.2.2 Intervalli di pulizia



### AVVISO!

La pulizia e la disinfezione periodici consentono di assicurare il corretto e regolare funzionamento, aumentare la durata e prevenire la contaminazione. Pulire e disinfettare il prodotto:

- periodicamente durante l'uso,
- prima e dopo qualsiasi procedura di manutenzione,
- in caso di contatto con liquidi biologici,
- prima dell'uso per un nuovo utilizzatore.

## 7.2.3 Limpieza


El producto puede limpiarse con productos disponibles en el mercado.

### Limpieza en un entorno doméstico

1. Retire cualquier accesorio/opción que se haya instalado (solo accesorios/opciones que no requieran herramientas).
2. Saque los reposapiés de las guías.
3. Quite la placa del asiento y la funda del respaldo.
4. Retire las cubiertas de los frenos y las cubiertas de protección de las abrazaderas, consulte el capítulo 4.2.9 *Montaje/desmontaje de las cubiertas de los frenos / cubiertas de protección de las abrazaderas, página 161*
5. Limpie las piezas individuales con un paño o cepillo y con productos de limpieza o desinfección disponibles en el mercado.
6. Enjuague las piezas con agua templada.

7. Seque las piezas con un paño.
8. Vuelva a montar el producto; consulte el capítulo 4 *Instalación, página 154*

### Limpeza en un entorno clínico

-  Además del procedimiento de limpieza descrito anteriormente, recomendamos limpiar el producto antes de su uso por parte de otro paciente, tras finalizar el periodo de uso o con frecuencia (según lo que ocurra primero)
- A 90 °C durante 1 minuto
  - A 85 °C durante 3 minutos
  - A 80 °C durante 10 minutos
- en el autoclave.



#### ¡PRECAUCIÓN!

##### Riesgo de quemaduras en la piel

- Deje que el producto se enfríe tras su limpieza en la lavadora o en el autoclave.

### Limpeza de la funda del respaldo

1. Quite la funda del respaldo.
2. Lave la funda en lavadora a una temperatura máxima de 60 °C con un detergente suave.



#### AVISO

##### Riesgo de daños

- El lavado a temperaturas más altas puede provocar daños.
- No secar en la secadora.



#### AVISO

- Una limpieza excesiva puede dañar el tejido.
- Se recomienda sustituir la funda del respaldo cada dos años por motivos de higiene.

### Limpeza de la estructura de inodoro (opcional)

La estructura de inodoro puede limpiarse en un autoclave a las temperaturas y durante los periodos de tiempo que se indican a continuación:

- A 90 °C durante 1 minuto
- A 85 °C durante 3 minutos
- A 80 °C durante 10 minutos.

#### 7.2.4 Instrucciones de desinfección



Encontrará más información sobre los desinfectantes y los métodos recomendados en <https://vah-online.de/en/for-users>.

#### En la atención domiciliaria

Método: Siga las instrucciones de aplicación del desinfectante y limpie y desinfecte todas las superficies accesibles.

Desinfectante: Desinfectante doméstico habitual.

Secado: Deje que el producto se seque al aire.

#### En atención clínica y a largo plazo

Siga los procedimientos de desinfección del centro y utilice exclusivamente los desinfectantes y métodos especificados.

## 8 Después del uso

### 8.1 Almacenamiento



#### **¡ADVERTENCIA!**

#### **Riesgo de dañar el producto**

- Guarde el producto en una zona seca.
- No guarde el producto cerca de fuentes de calor.
- No exponga el producto a la luz solar directa.
- Consulte las condiciones de envío y almacenamiento en el capítulo *10.3 Parámetros medioambientales, página 178*



Después de estar almacenado durante un largo periodo de tiempo, puede que sea necesario aplicar más fuerza para accionar el pistón de gas (solo para Ocean Dual VIP Ergo).

### 8.2 Reacondicionamiento

El producto se puede reutilizar. Para reacondicionar el producto para un nuevo usuario, lleve a cabo las siguientes acciones:

- Inspección
- Limpieza y desinfección

Para obtener información detallada, consulte *7 Mantenimiento, página 171* y el manual de servicio de este producto.

Asegúrese de que el manual del usuario se entregue con el producto.

Si se detecta algún daño o un funcionamiento deficiente, no reutilice el producto.

### 8.3 Eliminación

Proteja el medio ambiente y recicle este producto a través de la planta de reciclaje más próxima cuando llegue al final de su vida útil.

Desmonte el producto y sus componentes para separar y reciclar individualmente los diferentes materiales.

La eliminación y el reciclaje de los productos usados y de sus embalajes debe llevarse a cabo conforme a las normativas legales relativas al tratamiento de residuos vigentes en cada país. Póngase en contacto con su empresa de gestión de residuos local para obtener más información al respecto.

## 9 Solución de problemas

### 9.1 Identificación y reparación de fallos

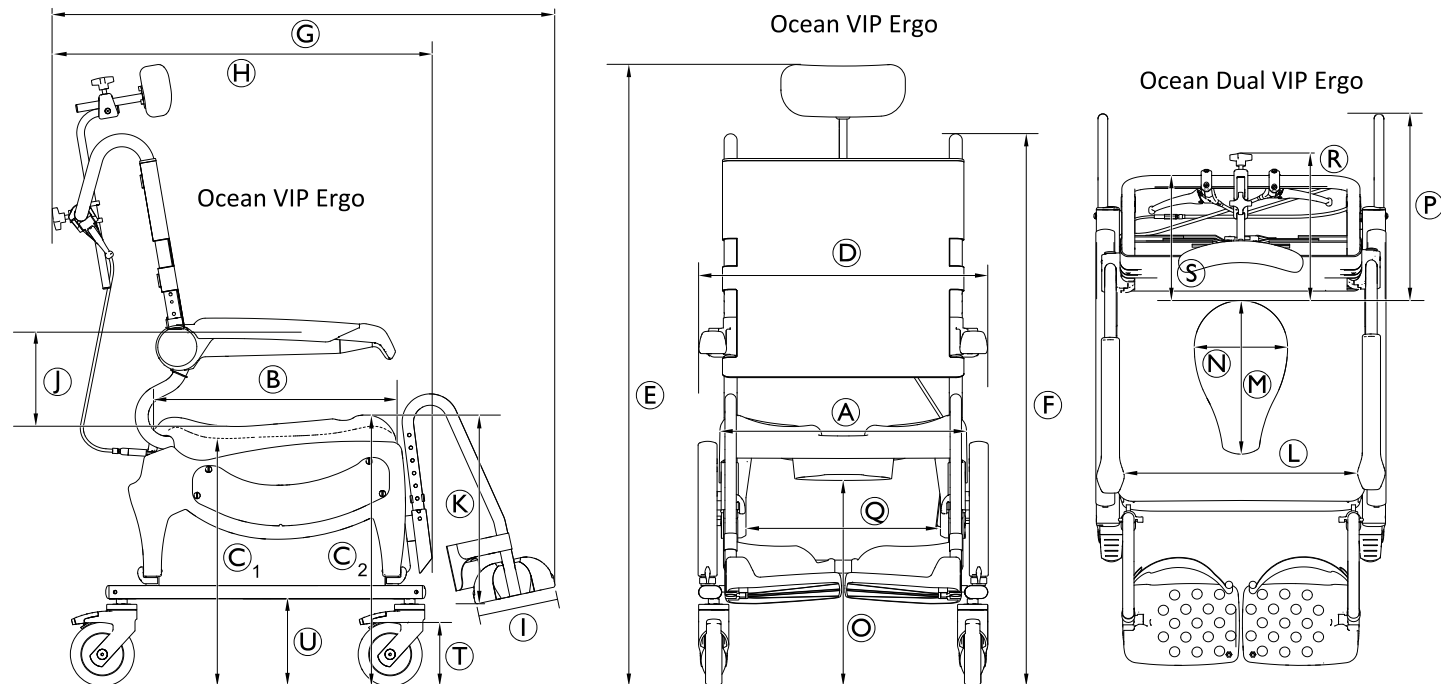


En la siguiente tabla se incluye información sobre fallos de funcionamiento y sus posibles causas. Si no puede corregir el funcionamiento incorrecto con las soluciones indicadas, póngase en contacto directamente con su proveedor.

Error de funcionamiento	Posible causa	Solución
Dificultad a la hora de ajustar la altura del asiento	Suciedad entre el chasis del asiento y la parte lateral	Desmonte el chasis inferior y límpielo a fondo al igual que la parte lateral
Las ruedas giran con dificultad o no giran	Hay suciedad acumulada entre la horquilla y la llanta	Limpie a fondo las ruedas.
Dificultad a la hora de empujar los reposapiés hacia el lateral	Depósitos en las guías	Limpie a fondo los reposapiés y las guías.
El chasis del asiento con respaldo no se puede inclinar	Depósitos en el mecanismo de inclinación	Retire la cubierta del freno y la cubierta de la palanca del freno y limpie a fondo el mecanismo de inclinación
	El cable Bowden no está ajustado correctamente	El cable Bowden debe ajustarlo un técnico cualificado
Se necesita más fuerza para accionar el muelle de gas (Dual VIP)	Almacenamiento de larga duración	Repita la inclinación del respaldo varias veces
El respaldo no se puede inclinar (Dual VIP)	El cable Bowden no está ajustado correctamente	El cable Bowden debe ajustarlo un técnico cualificado
Traqueteo al inclinar el chasis del asiento con respaldo.	El cable Bowden no está ajustado correctamente	El cable Bowden debe ajustarlo un técnico cualificado
	No se tira del asa de activación por completo	Tire del asa de activación por completo.

## 10 Datos Técnicos

### 10.1 Dimensiones y peso



	Ocean VIP Ergo	Ocean VIP Ergo XL*	Ocean Dual VIP Ergo
(A)		480 mm	
(B)		480 mm	



	Ocean VIP Ergo	Ocean VIP Ergo XL*	Ocean Dual VIP Ergo
© <sub>1</sub>	De 475 mm a 600 mm		
© <sub>2</sub>	De 533 mm a 658 mm		
©	565 mm	645 mm	565 mm
©	De 1052 mm a 1340 mm aprox. (en la posición neutral del asiento)		
©	De 1052 mm a 1202 mm aprox. (en la posición neutral del asiento)		
©	1000 mm aprox. Inclinado: 1520 mm aprox. Inclinado y respaldo reclinado (solo Ocean Dual VIP): ca. 1700 mm		
©	ca. 742 mm		
©	160 mm		
©	213 mm / 251 mm / 289 mm		
©	De 319 a 469 mm (en intervalos de 25 mm)		
©	475 mm	535 mm	475 mm
©	350 mm (parte superior) / 300 mm (parte inferior)		
©	250 mm (parte superior) / 182 mm (parte inferior)		
©	De 400 mm a 525 mm		
©	—	—	380 mm
©	385 mm		
©	295 mm		—
©	230 mm		—
©	Æ 127 mm (5")		

	Ocean VIP Ergo	Ocean VIP Ergo XL*	Ocean Dual VIP Ergo
Ⓢ	172 mm		
Ángulo de inclinación del asiento	-5° – 40°		
Ángulo de inclinación del respaldo	—	—	5° – 35°
Diámetro de giro	2200 mm		
Anchura de marcha atrás	1140 mm		1290 mm
Peso del producto	23.5 kg		28.3 kg
Peso máximo de usuario	150 kg		

\* Los reposabrazos XL están disponibles opcionalmente.

## 10.2 Materiales

Chasis	Acero inoxidable, pintura electrostática
Placa de asiento	Polipropileno, reforzado con fibra de vidrio
Funda del respaldo	Nailon, revestimiento de PVC
Reposapiés	Polipropileno, reforzado con fibra de vidrio
Reposabrazos	Poliamida, reforzada con fibra de vidrio
Ruedas giratorias	Plásticos y acero inoxidable

Todos los componentes del producto son resistentes a la corrosión y no contienen látex de caucho natural.

## 10.3 Parámetros medioambientales

Condiciones de funcionamiento	
Temperatura ambiente	De 10 a 65 °C
Humedad relativa	Del 15 % al 93 % sin condensación
Presión atmosférica	De 795 a 1060 hPa
Condiciones de envío y almacenamiento	
Temperatura ambiente	De 0 a 65 °C

Humedad relativa	Del 30 % al 75 % sin condensación
Presión atmosférica	De 795 a 1060 hPa



# Índice

Este manual TEM de ser fornecido ao utilizador do produto. ANTES de utilizar este produto, este manual DEVE ser lido e guardado para referência futura.

<b>1 Geral</b>	<b>182</b>
1.1 Introdução	182
1.2 Símbolos neste documento	182
1.3 Informações da garantia	183
1.4 Conformidade	183
1.4.1 Normas específicas do produto	183
1.5 Vida útil	183
<b>2 Segurança</b>	<b>184</b>
2.1 Informações de segurança	184
2.2 Etiquetas e símbolos no produto	185
<b>3 Descrição geral do produto</b>	<b>188</b>
3.1 Utilização prevista	188
3.2 Principais peças do produto	188
<b>4 Configuração</b>	<b>190</b>
4.1 Informações de segurança	190
4.2 Montar a cadeira de chuveiro e sanita	190
4.2.1 Ajustar a altura do assento	190
4.2.2 Instalação do encosto	191
4.2.3 Instalar o manípulo de ativação	193
4.2.4 Instalar e remover a placa de assento	193
4.2.5 Definir a altura do apoio de braço	193
4.2.6 Instalar os apoios de pés	195
4.2.7 Instalar o apoio de cabeça	196
4.2.8 Instalar os dispositivos antiqueda traseiros	196
4.2.9 Instalar/remover as tampas do travão/tampas de proteção da abraçadeira	197
4.3 Montagem de acessórios e opções	198

4.3.1 Instalar/Remover o suporte da aparadeira e a aparadeira	198
<b>5 Utilização</b>	<b>200</b>
5.1 Informações de segurança	200
5.2 Rodar os apoios de braços	202
5.3 Rebater os apoios de pés	202
5.4 Bascular a estrutura de assento com o encosto	202
5.5 Inclinar o encosto (apenas Ocean Dual VIP Ergo)	204
5.6 Engatar/Desengatar os bloqueios dos rodízios	205
<b>6 Transporte</b>	<b>206</b>
6.1 Informações de segurança	206
<b>7 Manutenção</b>	<b>207</b>
7.1 Manutenção e inspeção	207
7.2 Limpeza e desinfecção	207
7.2.1 Informações gerais de segurança	207
7.2.2 Intervalos de limpeza	208
7.2.3 Limpeza	208
7.2.4 Instruções de desinfecção	209
<b>8 Após a utilização</b>	<b>210</b>
8.1 Armazenamento	210
8.2 Recondicionamento	210
8.3 Eliminação	210
<b>9 Resolução de problemas</b>	<b>211</b>
9.1 Identificar e reparar falhas	211
<b>10 Características Técnicas</b>	<b>212</b>
10.1 Dimensões e peso	212
10.2 Materiais	214
10.3 Parâmetros ambientais	214

## 1 Geral

### 1.1 Introdução

Este manual de utilização contém informações importantes sobre o manuseamento do produto. Para garantir a segurança durante a utilização do produto, leia atentamente o manual de utilização e siga as instruções de segurança.

Utilize este produto apenas se tiver lido e compreendido este manual. Procure aconselhamento adicional junto de um profissional de saúde que esteja familiarizado com a sua condição médica e esclareça quaisquer questões relativas à utilização correta e ao ajuste necessário com o profissional de saúde.

Tenha em atenção que este documento pode conter secções não aplicáveis ao seu produto, uma vez que se refere a todos os modelos disponíveis (à data da impressão). Salvo menção em contrário, cada secção deste documento refere-se a todos os modelos do produto.

As configurações e os modelos disponíveis no seu país podem ser encontrados em documentos de venda específicos do país.

A Invacare reserva-se o direito de alterar as especificações do produto sem aviso prévio.

Antes de ler este documento, certifique-se de que tem a versão mais recente. A versão mais recente está disponível no site da Invacare, em formato PDF.

Se o tamanho do tipo de letra no documento impresso for difícil de ler, pode transferir uma versão em PDF do manual

a partir do site. A imagem do PDF pode ser ajustada no ecrã para um tamanho de tipo de letra que lhe seja mais cómodo.

Para obter mais informações sobre o produto, por exemplo, avisos de segurança de produtos e retiradas de produtos do mercado, contacte o seu distribuidor da Invacare. Consulte os endereços no final deste documento.

Em caso de incidente grave com o produto, deve informar o fabricante e as autoridades competentes do seu país.

### 1.2 Símbolos neste documento

Este documento inclui símbolos e palavras de sinalização que se aplicam a riscos ou práticas perigosas que podem resultar em lesões pessoais ou danos materiais. Consulte as informações abaixo para obter as definições das palavras de sinalização.



#### ADVERTÊNCIA

Indica uma situação perigosa que, se não for evitada, poderá resultar em morte ou em lesão grave.



#### ATENÇÃO

Indica uma situação perigosa que, se não for evitada, poderá resultar em lesões menores ou ligeiras.

- ! AVISO  
Indica uma situação perigosa que, se não for evitada, poderá resultar em danos à propriedade.
- o Sugestões e recomendações  
Fornece sugestões, recomendações e informações úteis para uma utilização eficiente e isenta de problemas.

### Outros símbolos

(Não se aplica a todos os manuais)



Responsável no Reino Unido  
Indica que um produto não foi fabricado no Reino Unido.



Pessoa e três setas  
Indica regras de reciclagem e separação (apenas relevante em França).

## 1.3 Informações da garantia

Facultamos uma garantia de fabrico para o produto, em conformidade com os nossos Termos e Condições Gerais de Compra nos respetivos países.

As reclamações de garantia só podem ser realizadas através do fornecedor ao qual o produto foi adquirido.

## 1.4 Conformidade

A qualidade é fundamental para o funcionamento da empresa, estando em conformidade com a norma ISO 13485.

Este produto apresenta a marcação CE, em conformidade com o Regulamento de dispositivos médicos 2017/745, Classe I.

Este produto apresenta a marca UKCA, em conformidade com a Parte II do regulamento UK MDR 2002 (atualizado) para Classe I do Reino Unido.

Temos empreendido um esforço contínuo para reduzir ao mínimo o impacto local e global da empresa no ambiente.

Apenas utilizamos materiais e componentes que cumprem a diretiva REACH.

### 1.4.1 Normas específicas do produto

O produto foi testado e está em conformidade com a norma ISO 17966 (Produtos de assistência para higiene pessoal dos utilizadores) e com todas as normas relacionadas. Tal inclui testes relacionados com a inflamabilidade. A ignição por combustão lenta progressiva e a ignição por chama não ocorrem.

Para obter informações adicionais sobre as normas e os regulamentos locais, contacte o representante local da Invacare. Consulte os endereços no final deste documento.

## 1.5 Vida útil

A vida útil prevista deste produto é de cinco anos, quando o mesmo é utilizado diariamente e em conformidade com as instruções de segurança, intervalos de manutenção e utilização correcta indicados neste manual. A vida útil efectiva pode variar de acordo com a frequência e intensidade de utilização.

## 2 Segurança

### 2.1 Informações de segurança



#### **ADVERTÊNCIA!**

##### **Risco de lesão grave ou danos**

A utilização incorreta deste produto pode causar lesões ou danos.

- Se não compreender as advertências, avisos ou instruções, contacte um profissional de cuidados de saúde ou o fornecedor antes de tentar utilizar este equipamento.
- Não utilize este produto ou qualquer equipamento opcional disponível sem primeiro ler e compreender estas instruções e todo o material de instrução adicional, assim como os manuais de utilização, os manuais de assistência ou os folhetos de instruções fornecidos com este produto ou com equipamento opcional.



#### **ADVERTÊNCIA!**

##### **Risco de lesões**

- Antes de cada utilização, verifique o produto, procurando sinais de danos e assegurando que está montado de forma segura.
- Antes da primeira utilização, limpe rigorosamente o produto.



#### **ADVERTÊNCIA!**

##### **Risco de lesões**

A utilização incorreta deste produto pode causar lesões ou danos.

- Não utilizar se apresentar defeitos.
- Em caso de avaria, contacte imediatamente o seu fornecedor.
- Não faça quaisquer modificações ou alterações não autorizadas no produto.
- Utilize apenas acessórios/opções fabricados para este produto.



#### **ADVERTÊNCIA!**

##### **Risco de lesões**

A utilização incorreta deste produto pode causar lesões ou danos.

- Não levantar o produto quando incluir carga.
- Não se coloque de pé em cima do produto.



#### **ATENÇÃO!**

##### **Risco de lesão**

Peças não originais ou incorretas podem afetar o funcionamento e a segurança do produto.

- Utilize apenas peças originais para o produto em utilização.
- Devido a diferenças regionais, consulte o site ou o catálogo local da Invacare para obter informações sobre as opções disponíveis ou contacte o seu representante local da Invacare. Consulte os endereços no final deste documento.



**AVISO!**

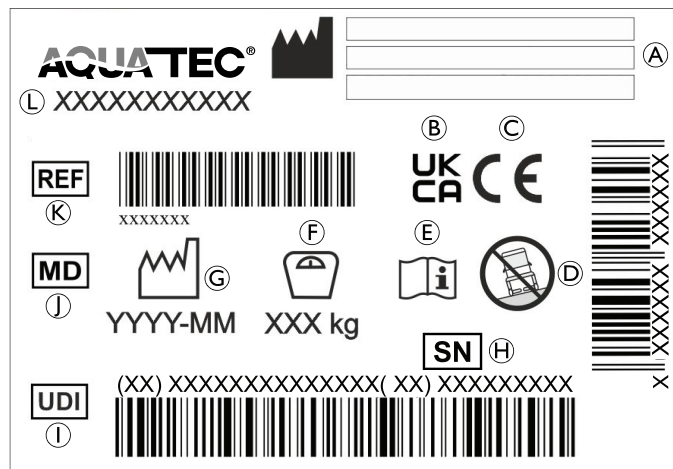
Quando combinar este com outro produto, as restrições de ambos os produtos aplicam-se à combinação. Por exemplo, o peso máximo do utilizador de um produto na combinação pode ser inferior.

- Utilize apenas as combinações permitidas pela Invacare. Para obter informações, contacte o seu distribuidor da Invacare.
- Antes de utilizar, leia o manual de utilização de cada produto e verifique as restrições. Para uma utilização segura, é necessária a conformidade total das informações, instruções e recomendações contidas em ambos os manuais de utilização.

## 2.2 Etiquetas e símbolos no produto


### Placa de características

A placa de características contém informações importantes:




(A)	Morada do fabricante
(B)	Avaliação de conformidade do Reino Unido
(C)	Conformidade Europeia
(D)	Para utilização apenas em terreno plano
(E)	Ler o manual de utilização
(F)	Peso máximo do utilizador
(G)	Data de fabrico
(H)	Número de série
(I)	Identificador único do dispositivo
(J)	Dispositivo médico


Ⓚ	Número de referência
Ⓛ	Designação do produto

 A placa de características encontra-se fixada no interior da parte lateral esquerda.


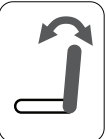
### Etiquetas no produto

A seguinte etiqueta está fixada na parte posterior do apoio de cabeça:	
Etiqueta	Descrição
	<p><b>PRECAUÇÃO!</b></p> <p>Risco de impacto</p> <p>O seu corpo pode ser atingido pelo encosto/apoio de cabeça ao puxar pelo manípulo de ativação.</p> <ul style="list-style-type: none"> <li>– Certifique-se de que existe espaço suficiente entre si e o encosto/apoio de cabeça quando inclinar a estrutura de assento com o encosto.</li> </ul>

A seguinte etiqueta está fixada ao manípulo do encosto:

Etiqueta	Descrição
	<p><b>ADVERTÊNCIA!</b></p> <p>Risco de basculação</p> <ul style="list-style-type: none"> <li>– Não pise o apoio de pés ao sentar-se ou levantar-se da cadeira de chuveiro e sanita.</li> <li>– Empurre os apoios de pés para os lados ou dobre as placas de pés para cima antes de se sentar ou levantar da cadeira de chuveiro e sanita.</li> <li>– Antes de se sentar ou levantar, rode os rodízios de modo a que o bloqueio aponte para cima.</li> <li>– Não se incline demasiado para a frente ao sentar-se na cadeira de chuveiro e sanita.</li> </ul>

As seguintes etiquetas estão fixadas nos manípulos de ativação:

Etiqueta	Descrição
	Manípulo de ativação para inclinação do assento.
	Manípulo de ativação apenas para inclinação do encosto.

## 3 Descrição geral do produto

### 3.1 Utilização prevista

As cadeiras Aquatec Ocean VIP Ergo e Aquatec Ocean Dual VIP Ergo são cadeiras móveis de chuveiro e sanita com função de espaço de inclinação do assento, chassis em aço inoxidável, altura do assento individualmente ajustável, encosto de tensão ajustável, apoios de braços rebatíveis e placas de pés texturadas de ângulo ajustável e rebatíveis. O produto também está disponível com uma função adicional de reclinção do encosto.

Estas cadeiras móveis de duche e sanita destinam-se a apoiar atividades de higiene pessoal com ou sem assistência em ambiente institucional e doméstico.

Temperatura de utilização (apenas no interior): 10 - 65 °C

#### Utilizadores previstos

O utilizador pretendido é a pessoa sentada na cadeira de chuveiro e sanita ou um assistente. O dispositivo pode ser utilizado por adolescentes ou adultos com uma altura igual ou superior a 146 cm, um peso igual ou superior a 40 kg e um índice de massa corporal igual ou superior a 16.

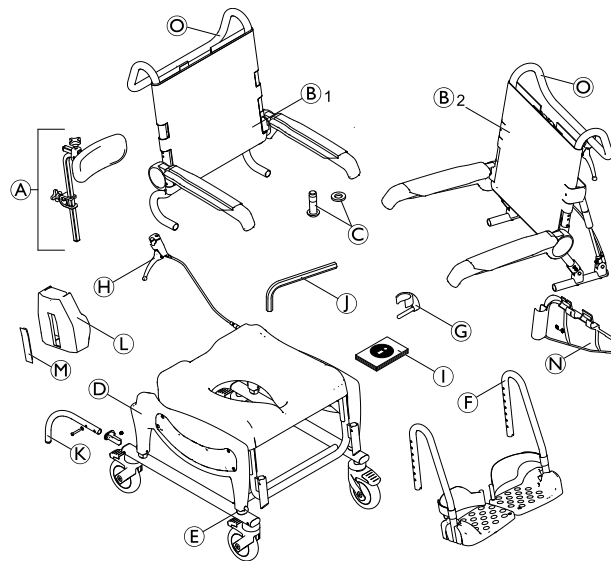
Para obter informações sobre o peso máximo do utilizador do produto, consulte *10 Características Técnicas, página 212*

#### Indicações

- Dificuldades em manter-se de pé ou manter o equilíbrio,
- pernas frágeis ou invalidez dos membros inferiores,
- condições clínicas que interferem com o equilíbrio.

Não existem nenhuma contraindicações conhecidas quando o produto é utilizado da forma prevista.

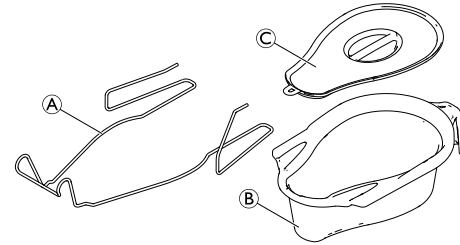
### 3.2 Principais peças do produto



(A)	Apoio de cabeça
(B <sub>1</sub> )	<b>Ocean VIP Ergo:</b> encosto com capa do encosto e apoios de braços
(B <sub>2</sub> )	<b>Ocean Dual VIP Ergo:</b> encosto com capa do encosto, apoios de braços e manípulo de ativação para basculação do encosto
(C)	Parafusos (4x) e anilhas (4x) para fixação do encosto

Ⓓ	Estrutura de assento com placa de assento e parte laterais com chassis da base e rodízios
Ⓔ	Grampos (4x) de ajuste da altura
Ⓕ	Apoios de pés com presilhas de calcanhar (2x)
Ⓖ	Grampos (2x) para o apoio de pés
Ⓗ	Manípulo de ativação para basculação do assento
Ⓘ	Manual de utilização
Ⓙ	Chave Allen
Ⓚ	Dispositivo antiqueda traseiro com parafuso, anilha e tampa de montagem (2x) (apenas o modelo Ocean Dual VIP Ergo)
Ⓛ	Tampa de travão (2x)
Ⓜ	Tampa da alavanca de travagem (2x)
Ⓝ	Tampa de proteção da abraçadeira (2x)
Ⓞ	Barra de empurrar

### Suporte de aparadeira com aparadeira (opcional)



Ⓐ	Suporte de aparadeira
Ⓑ	Aparadeira
Ⓒ	Tampa

## 4 Configuração

### 4.1 Informações de segurança



#### ADVERTÊNCIA!

- Verifique se as peças foram danificadas durante o transporte e, se necessário, contacte o fornecedor.
- Durante a montagem, certifique-se de que as peças estão posicionadas corretamente em relação umas às outras.
- São utilizados para várias ligações parafusos e porcas de bloqueio automático ou adesivos de bloqueio de rosca. Se estes tiverem soltos, deverão ser substituídos por novos parafusos ou porcas de bloqueio automático, ou deverão ser fixados utilizando novo adesivo de bloqueio de rosca.



#### ATENÇÃO!

#### Risco de trilhadeira

- Tenha cuidado durante a montagem.

### 4.2 Montar a cadeira de chuveiro e sanita

Esta secção descreve a montagem. A desmontagem funciona da forma inversa.



Para a cadeira estar perfeitamente adaptada ao utilizador, a altura do apoio de braço, a altura do apoio de pés, o ângulo do apoio de pés, o apoio de cabeça, a presilha de calcanhar, a tensão da capa do encosto e os acessórios/opções têm de estar bem ajustados.

#### 4.2.1 Ajustar a altura do assento

Esta secção descreve a montagem. A desmontagem funciona da forma inversa.

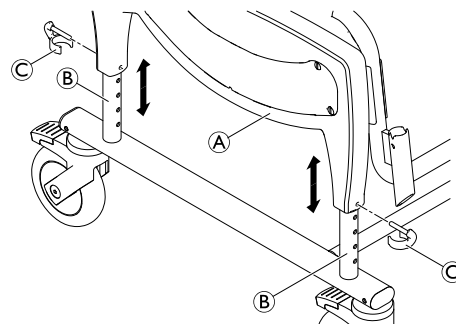


#### ADVERTÊNCIA!

- Não ajuste a altura do assento da cadeira de chuveiro e sanita quando alguém está sentado na mesma.



A altura do assento tem de ser adaptada simultaneamente em ambos os lados.



1. Levante ligeiramente a cadeira de chuveiro e sanita pela parte lateral (A).
2. Retire os quatro grampos (C) (dois em cada lado).
3. Regule para a altura correta movendo simultaneamente a estrutura de assento para cima ou para baixo nos quatro tubos (B) do chassis da base.
4. Alinhe os encaixes dos grampos na parte lateral com um orifício no chassis da base.
5. Insira os quatro grampos desde o lado de fora da parte lateral, até as extremidades dos grampos rodearem o tubo do chassis da base (B).



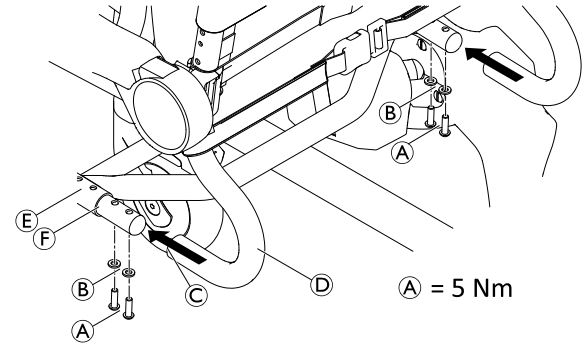
### ADVERTÊNCIA! Risco de lesões

- Certifique-se que os quatro grampos estão todos bem apertados.
- Certifique-se de que os quatro tubos estão todos regulados para a mesma altura.



A altura do assento pode ser ajustada para acomodar situações diferentes de utilização, por exemplo, a transferência a partir de uma cama ou cadeira de rodas ou a utilização sobre uma sanita, etc.

### 4.2.2 Instalação do encosto



1. Empurre os quatro pedais dos rodízios para baixo para os bloquear.
2. Empurre o encosto (D) por trás contra a estrutura de assento (E), até a flange (C) ficar encostada ao tubo da estrutura de assento (F).

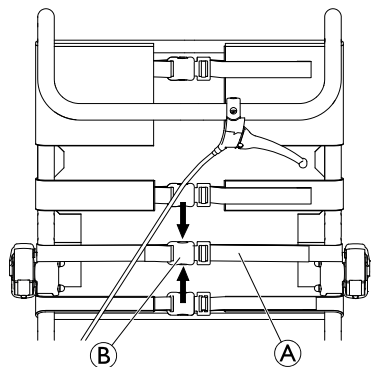


### AVISO!

- Aperte com firmeza os parafusos, utilizando a chave Allen facultada.
  - Verifique regularmente os parafusos para assegurar que estão apertados com segurança.
3. Posicione uma anilha (B) em cada parafuso (A) e fixe o encosto em cada lado.
  4. Aperte os parafusos até um torque de 5 Nm.

### Ajustar a capa do encosto

É possível ajustar a tensão do encosto conforme necessário.



#### ADVERTÊNCIA!

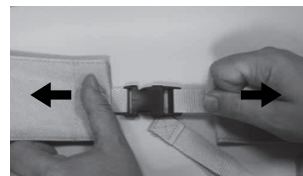
– Certifique-se de que são passados pelo menos três cintos à volta da estrutura do encosto (na parte exterior) e que as fivelas dos cintos são fechadas.

Apertar:

1. Puxe os cintos (A) da capa do encosto para os apertar.

Desapertar:

1. Abra as fivelas (B) apertando as presilhas de retenção em conjunto (setas).
2. Empurre os cintos ligeiramente através da fivela.
3. Feche as fivelas dos cintos.
4. Volte a apertar os cintos com cuidado.



#### ADVERTÊNCIA!

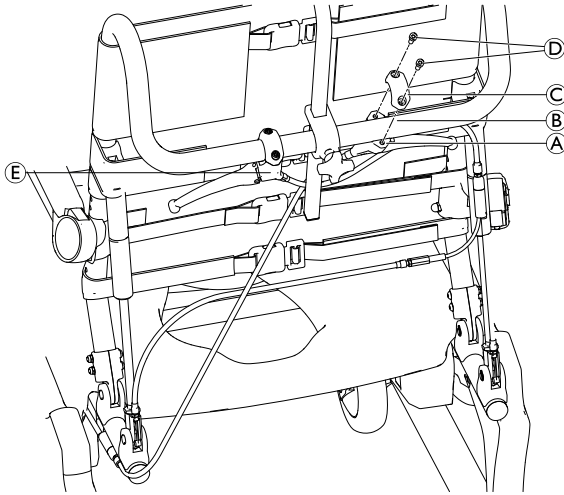
**Risco de lesão devido a fivelas do encosto danificadas!**

Verifique se as fivelas do encosto estão fechadas de forma segura sempre que o produto for objeto de manutenção ou acondicionamento.


- Verifique se todos os cliques da fivela estão fixos de forma segura, fechando as fivelas e puxando ambas as extremidades.
- Substitua o encosto/as fivelas do encosto se uma fivela se abrir sob a força exercida.



### 4.2.3 Instalar o manípulo de ativação



1. Retire a peça de fixação **C** do manípulo de ativação **A** desapertando os parafusos **D**.
2. Posicione o manípulo de ativação **A** para inclinação do assento a partir da parte de baixo no lado direito do tubo do manípulo **B**.

 O manípulo deve ser rodado ligeiramente para dentro do encosto.

3. Instale o manípulo de ativação no tubo do manípulo utilizando a peça de fixação **C** e os parafusos **D**.



Para o modelo Ocean Dual VIP Ergo, o manípulo de ativação **E** para inclinação do encosto já está instalado no lado esquerdo do tubo do manípulo. Se necessário, a posição do manípulo de ativação pode ser alterada.

### 4.2.4 Instalar e remover a placa de assento

#### Instalar

1. Coloque a placa de assento na estrutura de assento com o corte virado para a frente.
2. Com a palma da mão, pressione a placa de assento para baixo nos lados e depois à frente e atrás até que esta encaixe na estrutura de assento.

#### Remoção

1. Puxe a placa de assento no sentido ascendente pela parte traseira.

### 4.2.5 Definir a altura do apoio de braço

1. Abra a fivela do cinto na capa do encosto, que passa pela parte interior da estrutura do encosto.
2. Abra a fivela do cinto na capa do encosto, por cima do apoio de braço.



Ao ajustar para uma posição inferior, o cinto por baixo do apoio de braço deve estar aberto.

3. Passe este cinto pelo interior da estrutura do encosto e volte a fechá-lo.

4.

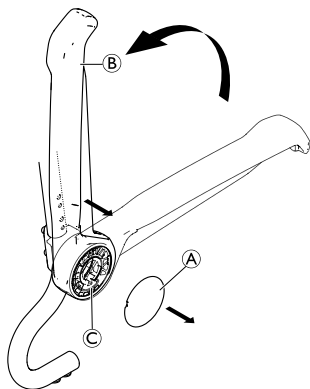


Fig. 4-1

Remova a tampa (A).

5. Dobre o apoio de braço (B) para cima para o retirar do suporte do apoio de braço (C).

6.

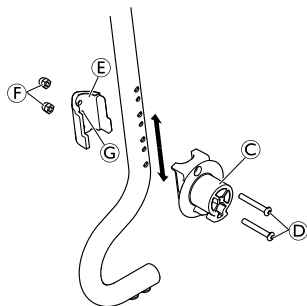




Fig. 4-2

Retire os parafusos (D) do suporte do apoio de braço (C) com a chave Allen fornecida.

7. Retire o grampo de fixação (E) com as porcas (F) do interior da estrutura do encosto.

 As porcas são inseridas sem estarem apertadas no grampo de fixação e podem cair.

8. Para reinstalar o suporte do apoio de braço e o grampo de fixação na posição pretendida, insira os parafusos (D) no suporte do apoio de braço e guie-os através dos orifícios pretendidos na estrutura do encosto.

 Os orifícios mais pequenos no interior da estrutura do encosto prendem o grampo de fixação.

9. Coloque o grampo de fixação de modo a engatar o orifício mais pequeno ao prender (G) o grampo de fixação.

10. Aperte os parafusos (D) com 5 - 6 Nm e as porcas (F).  
11.

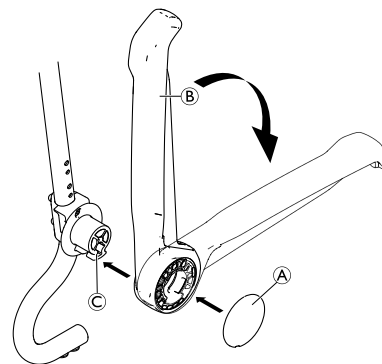



Fig. 4-3

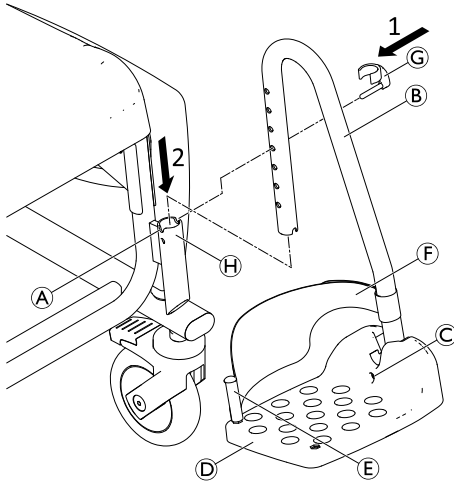
Reinstale o apoio de braço (B) no suporte (C).

12. Dobre o apoio de braço para baixo.


13. Reinstale a tampa (A).
14. Passe o cinto aberto da capa do encosto pelo exterior da estrutura do encosto, feche as fivelas dos cintos e aperte todos os cintos.
15. O procedimento de ajuste da altura é igual para o apoio de braço direito e esquerdo.

 Para instalar acessórios/opções, pode abrir o terceiro cinto a contar de cima e a capa do encosto pode passar pela estrutura do encosto pelo interior.


#### 4.2.6 Instalar os apoios de pés



1. Insira o pino do grampo (G) a partir do lado de fora no orifício necessário no apoio de pés (B). Certifique-se de que o grampo engata à volta do tubo.
2. Insira o apoio de pés na guia (H) na frente da parte lateral até o pino do grampo (G) engatar na ranhura (A). Deixa de ser possível virar o apoio de pés de lado.


 O procedimento de montagem é o mesmo para o apoio de pés direito e esquerdo.

#### Ajustar a altura dos apoios de pés

 Se necessário, os apoios de pés podem ser encurtados (consulte o manual de assistência). O encurtamento dos apoios de pés só pode ser realizado por um técnico qualificado.

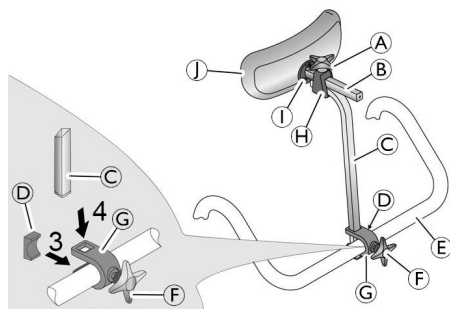
1. Puxe ligeiramente o apoio de pés (B) para cima.
2. Puxe o grampo (G) para fora do orifício no apoio de pés e volte a inseri-lo no orifício pretendido. Se necessário, puxe o apoio de pés um pouco mais.
3. Empurre o apoio de pés para baixo até a ranhura (A) engatar no pino do grampo.
4. Coloque o outro apoio de pés à altura pretendida da forma descrita.

#### Ajustar a inclinação das placas de pés

 A inclinação das placas de pés pode ser ajustada de várias formas.

1. Desaperte o parafuso Allen (C) da placa de pé utilizando uma chave Allen de tamanho 4.
2. Rode a placa de pé (D) para a posição pretendida.
3. Volte a apertar o parafuso Allen.

## 4.2.7 Instalar o apoio de cabeça



1. Utilize o manípulo em estrela (F) para inserir o parafuso ligeiramente na calha (G).
2. Empurre a calha com o parafuso na direção do manípulo do encosto (E) a partir da parte detrás de modo a que o parafuso engate no orifício do manípulo do encosto.
3. Insira a placa (D) na calha a partir da parte da frente de modo a que ambas as presilhas da placa estejam voltadas para baixo e para cima e a parte lateral curva da placa toque no manípulo do encosto.
4. Empurre o tubo de ajuste da altura (C) a partir de cima na direção das reentrâncias do suporte.
5. Utilize o manípulo em estrela para apertar o parafuso até o tubo de ajuste da altura estar fixado no lugar.
6. Empurre a almofada (J) e o suporte da almofada (B) contra o suporte (H) no tubo de ajuste da altura.
7. Utilize o manípulo em estrela (A) para apertar o parafuso superior até o suporte da almofada estar fixado no lugar.



Para ser adaptado ao utilizador, o tubo de ajuste da altura pode ser ajustado com a curva voltada para a frente ou para trás.

A almofada do apoio de cabeça (J) pode ser retirada e substituída por almofadas de outros formatos (opcional). Para a retirar, desaperte os parafusos de retenção (I).

## Ajustar o comprimento do apoio de cabeça



Os tubos do apoio de cabeça (C) e (B) podem ser encurtados (consulte o manual de assistência). O encurtamento do tubo do apoio de cabeça só pode ser realizado por um técnico qualificado.

## 4.2.8 Instalar os dispositivos antiqueda traseiros



### ADVERTÊNCIA!

#### Risco de basculação

Existe um risco de lesões graves na cadeira Ocean Dual VIP Ergo quando o encosto é inclinado. A cadeira completa pode inclinar-se para trás.

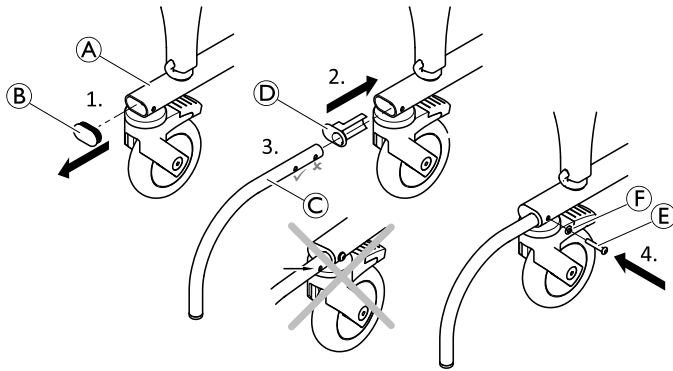
- Antes de utilizar a cadeira Ocean Dual VIP Ergo, certifique-se de que ambos os dispositivos antiqueda traseiros estão instalados.



### ADVERTÊNCIA!

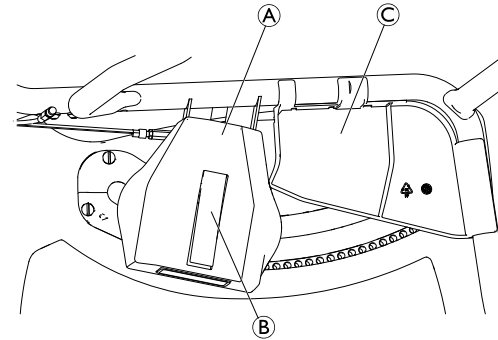
#### Risco de lesões

- Nunca se coloque de pé sobre os dispositivos antiqueda.



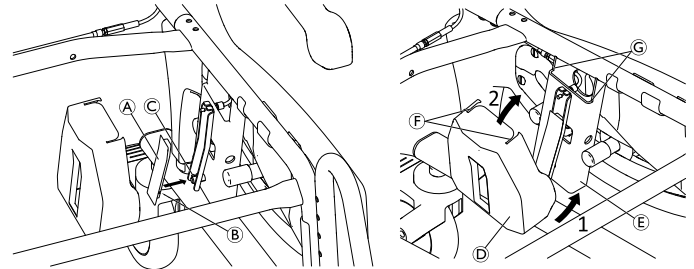
1. Remova a tampa (B) do chassis da base (A).
2. Prenda a tampa de montagem (D) ao chassis da base.
3. Insira a ponteira antiqueda (C).
4. Fixe o dispositivo antiqueda ao segundo orifício utilizando o parafuso (E) com a anilha (F).
5. Instale o dispositivo antiqueda no outro lado.

#### 4.2.9 Instalar/remover as tampas do travão/tampas de proteção da abraçadeira



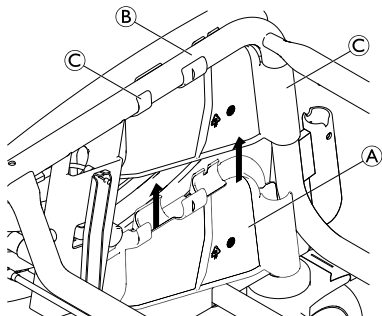
(A)	Tampa do travão
(B)	Tampa da alavanca de travagem
(C)	Tampa de proteção da abraçadeira

#### Tampa do travão



1. Prenda a tampa da alavanca de travagem (A) prendendo a ranhura (B) na parte superior do eixo pequeno (C).
2. Posicione a parte inferior da tampa do travão (D) num ângulo a partir de baixo sobre a caixa do travão (E).
3. Dobre a parte superior da tampa do travão para a caixa do travão de modo a que as reentrâncias (F) fiquem alinhadas com as extremidades (G).
4. Instale a segunda tampa do travão no outro lado.

### Tampa de proteção da abraçadeira



1. Instale a tampa de proteção da abraçadeira (A) encaixando-a nos tubos do chassis (B). Certifique-se de que todos os grampos (C) estão bem engatados.
2. Instale a segunda tampa de proteção da abraçadeira no outro lado.

## 4.3 Montagem de acessórios e opções

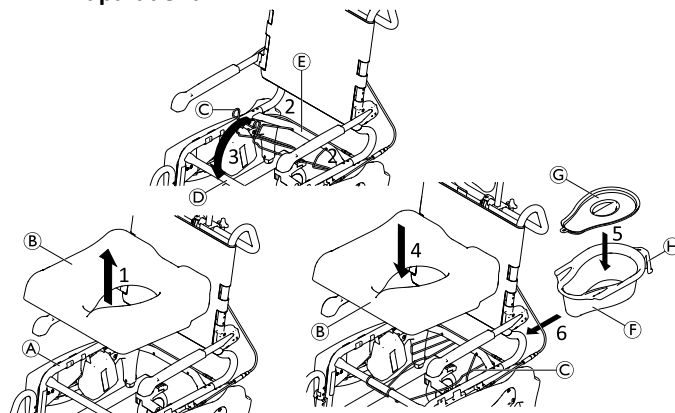


### ADVERTÊNCIA!

#### Risco de lesão


– A montagem dos acessórios e opções tem de ser realizada de acordo com as instruções correspondentes.

### 4.3.1 Instalar/Remover o suporte da aparadeira e a aparadeira



A aparadeira (F) pode ser instalada/removida com ou sem a tampa (G).

1. Remova a placa de assento (B) do chassis (A).
2. Insira as extremidades do suporte da aparadeira (E) pelos orifícios do tubo transversal traseiro (C).
3. Engate a parte dianteira do suporte da aparadeira no tubo transversal dianteiro (D).

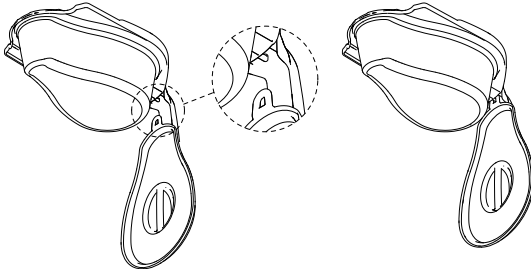
4. Reinstale a placa de assento no chassis.
5. Coloque a tampa ou retire-a da aparadeira.
6. Segure a aparadeira pelo seu manípulo  e insira-a com o lado traseiro entre o suporte da aparadeira e o assento.



Pressione a aparadeira ligeiramente para baixo ao inserir ou retirar.



A tampa pode ser pendurada no gancho de plástico por baixo do manípulo da aparadeira.



## 5 Utilização

### 5.1 Informações de segurança



#### **ADVERTÊNCIA!**

- Utilize a cadeira de chuveiro e sanita apenas numa superfície plana e em espaços interiores.
- Respeite as especificações da placa de características. Não sobrecarregue a cadeira de chuveiro e sanita.
- Observe as etiquetas de segurança na parte lateral do apoio de cabeça e no manípulo do encosto (2.2 *Etiquetas e símbolos no produto, página 189*).
- Não coloque peso excessivo sobre a cadeira de chuveiro e sanita.
- Antes de cada utilização, realize sempre uma inspeção visual do produto, procurando sinais de danos exteriores.



#### **ADVERTÊNCIA!**

##### **Risco de deslizar e rolar**

- Antes de utilizar a cadeira sanitária, certifique-se de que o assento está bem preso à estrutura de assento.
- Prenda os rodízios com alavancas utilizando as alavancas de pé antes de sentar ou levantar da cadeira de chuveiro e sanita, e quando se encontra na posição de estacionamento.



#### **ADVERTÊNCIA!**

##### **Risco de basculação**

- Rebata os apoios de pés lateralmente ou dobre as placas de pé para cima antes de se sentar ou levantar.
- Antes de se sentar ou levantar, rode os rodízios dianteiros de modo a que o bloqueio aponte para cima.
- Nunca se coloque de pé sobre os apoios de pés.
- Não se incline excessivamente para a frente.
- Empurre o utilizador sentado na cadeira de chuveiro e sanita apenas quando a estrutura de assento e o encosto estiverem numa posição vertical.
- Transfira o utilizador de ou para a cadeira de chuveiro e sanita apenas quando a estrutura de assento e o encosto estiverem numa posição vertical.
- Nunca retire as molas pneumáticas (apenas o modelo Ocean Dual VIP Ergo).



#### **ADVERTÊNCIA!**

##### **Risco de lesões!**

- Antes de utilizar o Assento flexível variável (opcional), é necessário instalar as tampas laterais.



**ADVERTÊNCIA!****Risco de basculação para trás!**

– A Ocean Dual VIP Ergo só pode ser utilizada se os dispositivos antiqueda traseiros estiverem instalados.

**ADVERTÊNCIA!****Risco de basculação**

– A cadeira de chuveiro e sanita só deve ser deslocada usando a barra de empurrar.

**ATENÇÃO!****Risco de queimaduras na pele**

Os componentes do produto podem aquecer quando são expostos a fontes externas de calor.

- Tenha em atenção as superfícies aquecidas quando utilizar a cadeira de chuveiro e sanita na sauna ou em caso de exposição a água quente.
- Não exponha o produto a luz solar direta antes da utilização.

**ATENÇÃO!****Risco de entalar os dedos devido ao mecanismo de inclinação**

- Ao inclinar a estrutura de assento ou o encosto, certifique-se de que os braços do utilizador se encontram nos apoios de braços ou cruzados à frente do corpo.
- Certifique-se de que a tampa de proteção da abraçadeira está instalada no chassis. Consulte a secção 4.2.9 *Instalar/remover as tampas do travão/tampas de proteção da abraçadeira*, página 197.

**AVISO!****Risco de partir o apoio de cabeça**

- Conduza ou empurre a cadeira de chuveiro e sanita apenas utilizando o manípulo no encosto, nunca pelo apoio de cabeça.

**AVISO!****Risco de danos no produto**

- Não levante a cadeira de duche e sanita utilizando os apoios de pés, os apoios de braços ou quaisquer outros acessórios/opções.



Para os utilizadores com elevado risco de se porem de pé nos apoios de pés (por exemplo, utilizadores com demência), estão disponíveis dispositivos antiqueda frontais (opcional) para impedir que a cadeira de duche e sanita tombe para a frente.

## 5.2 Rodar os apoios de braços

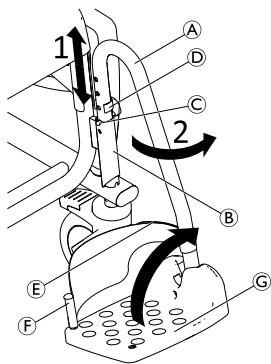


### ATENÇÃO!

#### Risco de trilhar os dedos

- Não coloque os dedos entre o apoio de braço e o encosto ao dobrar os apoios de braços para trás.

## 5.3 Rebater os apoios de pés



### Posição de entrada/saída:

1. Puxe o apoio de pés (A) ligeiramente para cima na guia (B) até o pino do grampo (D) deixar de estar engatado na ranhura (C).
2. Rebata o apoio de pés para o lado.

### Posição de condução:



### ATENÇÃO!

#### Risco de acidente devido a um apoio de pés solto

- Fixe os apoios de pés na posição de condução.

1. Rode o apoio de pés (A) para dentro.
2. Pressione o apoio de pés no sentido para baixo, até o pino do grampo (D) engatar na ranhura (C).



Em alternativa, é possível rebater as placas de pés (G) para cima para entrar/sair da cadeira de chuveiro e sanita.

### Substituir a presilha de calcanhar

1. Abra a tira adesiva (E) na presilha de calcanhar.
2. Retire o parafuso (F) da parte inferior da placa de pé.
3. Retire a presilha de calcanhar do pino de plástico flexível.



Para prender a correia, execute o mesmo procedimento pela ordem inversa.



Durante a instalação, certifique-se de que a tira adesiva da presilha de calcanhar está orientada para trás.




## 5.4 Bascular a estrutura de assento com o encosto

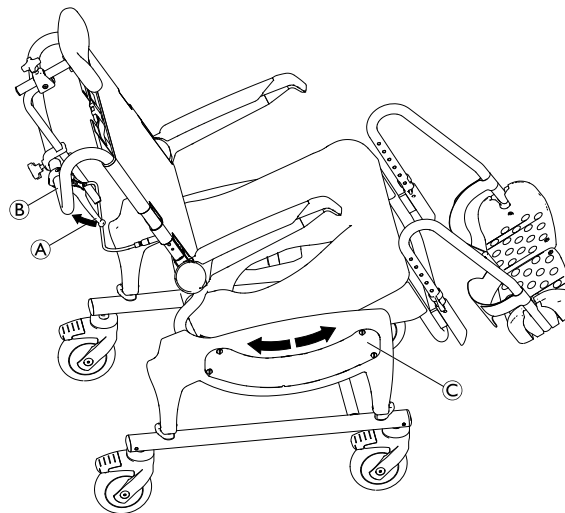


### AVISO!

- Ao bascular, nunca se aproxime da área entre as peças laterais e a estrutura tubular.

## Bascular para trás/para a frente

-  A estrutura de assento pode ser basculada aproximadamente 40° para trás juntamente com o encosto.
-  Estão disponíveis bloqueios de basculação (opcional) para evitar que o produto bascule para a frente para um ângulo inferior a 0°.
-  Para as duas alturas de assento mais baixas, não é possível utilizar o intervalo de ajuste completo do apoio de pés. Antes de utilizar, verifique se os apoios de pés não tocam no chão quando bascula o assento para a frente. Se necessário, reajuste a altura do assento ou a altura do apoio de pés em conformidade.



### ATENÇÃO!

#### Risco de esmagamento

Os seus dedos ou mãos podem ficar presos e entalados pelo mecanismo de basculação.  
 – Antes de cada utilização, certifique-se de que as tampas laterais © do mecanismo de basculação estão montadas corretamente.

1. Empurre os quatro pedais dos rodízios para baixo para os bloquear.
2. Segure a cadeira de duche pela barra de empurrar ②.
3. Puxe e segure o manipulador de ativação ①.

4. Regule para a inclinação necessária empurrando para o manípulo ⑥ para baixo ou puxando-o para cima.
5. Solte o manípulo de ativação e deixe os pinos do mecanismo de basculação engatarem nos orifícios mais próximos. A estrutura de assento fica posicionada na inclinação regulada atualmente.

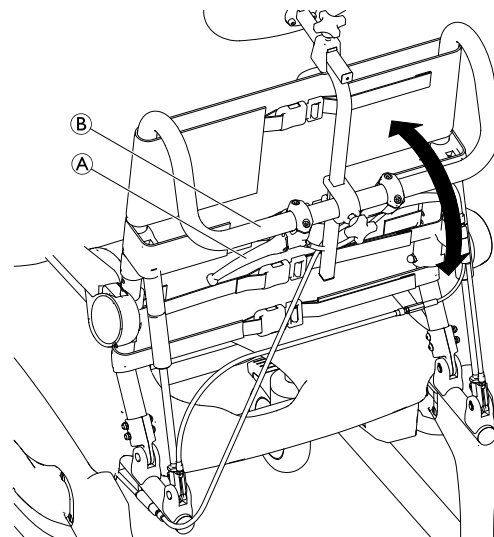
## 5.5 Inclinr o encosto (apenas Ocean Dual VIP Ergo)



### ATENÇÃO!

**Risco de entalar os dedos entre o suporte do apoio de braço e a parte lateral**

- Nunca se aproxime da área entre o suporte do apoio de braço e a parte lateral ao inclinar a estrutura de assento para trás ou ao baixar o encosto.
- Ao inclinar a estrutura de assento ou o encosto, certifique-se de que os braços do utilizador estão colocados nos apoios de braços ou cruzados à frente do corpo.




1. Empurre os quatro pedais dos rodízios para baixo para os bloquear.
2. Segure a cadeira de duche pela barra de empurrar ⑥.
3. Puxe e segure o manípulo de ativação ①.



O manípulo de ativação está equipado com um dispositivo de bloqueio. Para ativar o manípulo, o dispositivo de bloqueio tem de ser puxado antecipadamente.

4. Incline o encosto para a posição pretendida.
5. Solte o manípulo de ativação para fixar o encosto na posição atual.

 É necessária força acrescida para inclinar o encosto para trás sem o utilizador sentado. O encosto é inclinado de forma automática para cima sem o utilizador sentado quando o manípulo de ativação é puxado.

## 5.6 Engatar/Desengatar os bloqueios dos rodízios

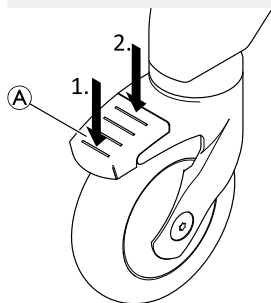


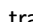
### ATENÇÃO!

#### Risco de apresamento/esmagamento

Todos os bloqueios dos rodízios são acionados pelos pés.

– Não acione os bloqueios de rodízios com as mãos.



1. Para ativar os bloqueios dos rodízios pise a extremidade traseira do pedal  até engatar.



O rodízio está agora bloqueado na posição e não pode rodar mais.

2. Para desativar os bloqueios dos rodízios pise a extremidade dianteira do pedal até desengatar.



O rodízio com o pedal azul (bloqueio direcional opcional) engata no bloqueio de rotação para um movimento mais fácil em linha reta.

## 6 Transporte

### 6.1 Informações de segurança



Para transporte, é possível desmontar o produto nas peças fornecidas no âmbito da entrega. Consulte a secção 3.2 *Principais peças do produto, página 188*

1. Desmonte o produto, seguindo os passos de montagem da secção 4 *Configuração, página 190* pela ordem inversa.



#### **AVISO!**

##### **Risco de danos no produto**

- Transporte o produto numa área seca.
- Não exponha o produto a luz solar direta.
- Consulte as condições de armazenamento e transporte na secção 10.3 *Parâmetros ambientais, página 214*



#### **AVISO!**

- São utilizados para várias ligações parafusos e porcas de bloqueio automático ou adesivos de bloqueio de rosca. Se estes tiverem soltos, deverão ser substituídos por novos parafusos ou porcas de bloqueio automático, ou deverão ser fixados utilizando novo adesivo de bloqueio de rosca.

## 7 Manutenção

### 7.1 Manutenção e inspeção

O produto não requer manutenção, desde que as instruções de limpeza e segurança descritas abaixo sejam cumpridas.

Para garantir um bom desempenho e segurança, devem efetuar-se regularmente as seguintes verificações:

- Verifique regularmente se o produto e os acessórios/opções apresentam danos. Não utilize o produto se apresentar defeitos.
- Verifique a função de basculação da estrutura de assento e do encosto (modelo Ocean Dual VIP Ergo) A basculação fácil e o bloqueio seguro da posição são obrigatórias.
- Se não for possível definir a função de basculação para um ângulo inferior a 0°, retire os bloqueios de basculação (opcional) se necessário.
- Em caso de danos ou avaria, recomenda-se que contacte o fornecedor.
- Certifique-se de que o produto está montado de forma segura, incluindo todas as tampas de proteção, e que todos os parafusos estão devidamente apertados.



#### **ADVERTÊNCIA!**

##### **Risco de lesões e danos**

- Se o produto não estiver bem ajustado pode causar acidentes e lesões graves.
- O produto tem de ser reparado por um técnico qualificado.
  - As partes danificadas têm de ser substituídas por um técnico qualificado.
  - Utilize apenas peças sobressalentes originais da Invacare.

### 7.2 Limpeza e desinfecção

#### 7.2.1 Informações gerais de segurança



#### **ATENÇÃO!**

##### **Risco de contaminação**

- Tome precauções pessoais e utilize equipamento de proteção apropriado.



### AVISO!

Métodos ou fluidos errados podem prejudicar ou danificar o produto.

- Todos os agentes de limpeza e desinfetantes utilizados devem ser eficazes, compatíveis entre si e passíveis de proteger os materiais aos quais são aplicados para limpeza.
- Nunca utilize líquidos corrosivos (alcalinos, ácidos, etc.) ou agentes de limpeza abrasivos. Recomendamos um agente de limpeza doméstico normal, como detergente da loiça, se não houver especificações em contrário nas instruções de limpeza.
- Nunca utilize um solvente (diluyente celulósico, acetona, etc.) que altere a estrutura do plástico ou dissolva as etiquetas afixadas.
- Certifique-se sempre de que o produto está completamente seco antes de o pôr novamente em funcionamento.



Para a limpeza e desinfecção em ambientes de cuidados clínicos ou de longa duração, siga os procedimentos internos.

## 7.2.2 Intervalos de limpeza



### AVISO!

A limpeza e a desinfecção regulares melhoram o funcionamento correto, aumentam a vida útil e evitam a contaminação.

Limpe e desinfete o produto:

- regularmente enquanto está em utilização,
- antes e depois de qualquer operação de assistência,
- depois de ter estado em contacto com quaisquer fluidos corporais
- e antes da sua utilização por um novo utilizador.

## 7.2.3 Limpeza

O produto pode ser limpo utilizando detergentes disponíveis comercialmente.

### Limpar num ambiente doméstico

1. Retire todos os acessórios/opções instalados (apenas os acessórios/opções que não requerem ferramentas).
2. Retire os apoios de pés das calhas.
3. Remova a placa de assento e a capa do encosto.
4. Remova as tampas do travão e as tampas de proteção da abraçadeira. Consulte a secção 4.2.9 *Instalar/remover as tampas do travão/tampas de proteção da abraçadeira*, página 197.
5. Limpe as peças individuais utilizando um pano ou escova e agentes de limpeza ou desinfetantes disponíveis comercialmente.
6. Enxague as peças com água quente.



7. Seque as peças com um pano.
8. Volte a montar o produto. Consulte o capítulo 4 *Configuração, página 190*

### Limpar num ambiente clínico



Além do procedimento de limpeza descrito antes, recomendamos a limpeza do produto antes de ser utilizado por outro paciente, no final do período de utilização ou numa base regular (dependendo do que ocorrer primeiro) a

- 90 °C durante 1 minuto
- 85 °C durante 3 minutos
- 80 °C durante 10 minutos

na autoclave.



#### ATENÇÃO!

##### Risco de queimaduras na pele

- Deixe que o produto arrefeça depois de o limpar na máquina de lavar ou na autoclave.

### Limpar a capa do encosto

1. Remova da capa do encosto.
2. Lave a capa na máquina a uma temperatura máxima de 60 °C, usando um detergente suave.



#### AVISO!

##### Risco de danos

- A lavagem a temperaturas mais elevadas pode causar danos.
- Não secar à máquina.



#### AVISO!

- A limpeza excessiva pode danificar os têxteis.
- Recomendamos que substitua a capa do encosto de dois em dois anos por motivos de higiene.

### Limpar a aparadeira (opcional)

A aparadeira pode ser limpa numa autoclave nas temperaturas e durante os períodos seguintes:

- 90 °C durante 1 minuto
- 85 °C durante 3 minutos
- 80 °C durante 10 minutos.

### 7.2.4 Instruções de desinfeção



Pode encontrar informações sobre os desinfetantes e os métodos recomendados em <https://vah-online.de/en/for-users>.

### Em cuidados domiciliários

Método: Siga as notas de aplicação para o desinfetante utilizado e desinfete todas as superfícies acessíveis com toalhetes.

Desinfetante: Desinfetante doméstico comum.

Secar: Deixe o produto secar ao ar.

### Em cuidados clínicos e de longo prazo

Siga os procedimentos de desinfeção internos e utilize apenas os desinfetantes e métodos especificados.

## 8 Após a utilização

### 8.1 Armazenamento



#### **ADVERTÊNCIA!**

##### **Risco de danos no produto**

- Armazene o produto numa área seca.
- Não armazene o produto junto a fontes de calor.
- Não exponha o produto a luz solar direta.
- Consulte as condições de armazenamento e transporte na secção *10.3 Parâmetros ambientais, página 214*



Depois de um longo período de armazenamento, pode ser necessária maior força para acionar a mola pneumática (apenas o modelo Ocean Dual VIP Ergo).

### 8.2 Recondicionamento

Este produto é adequado para reutilização. Para o recondicionamento do produto para um novo utilizador, execute as seguintes ações:

- Inspeção
- Limpeza e desinfeção

Para obter informações detalhadas, consulte o capítulo *7 Manutenção, página 207* e o manual de assistência para este produto.

Certifique-se de que o manual de utilização é fornecido com o produto.

Se forem detetados danos ou avarias, não reutilize o produto.

### 8.3 Eliminação

Seja amigo do ambiente e recicle este produto no fim da respetiva vida útil através das instalações de reciclagem existentes.

Desmonte o produto e os seus componentes, para que os diferentes materiais possam ser separados e reciclados individualmente.

A eliminação e a reciclagem de produtos utilizados e da embalagem devem cumprir as leis e os regulamentos relativos à gestão de resíduos de cada país. Para obter informações, contacte a empresa de gestão de resíduos local.

## 9 Resolução de problemas

### 9.1 Identificar e reparar falhas

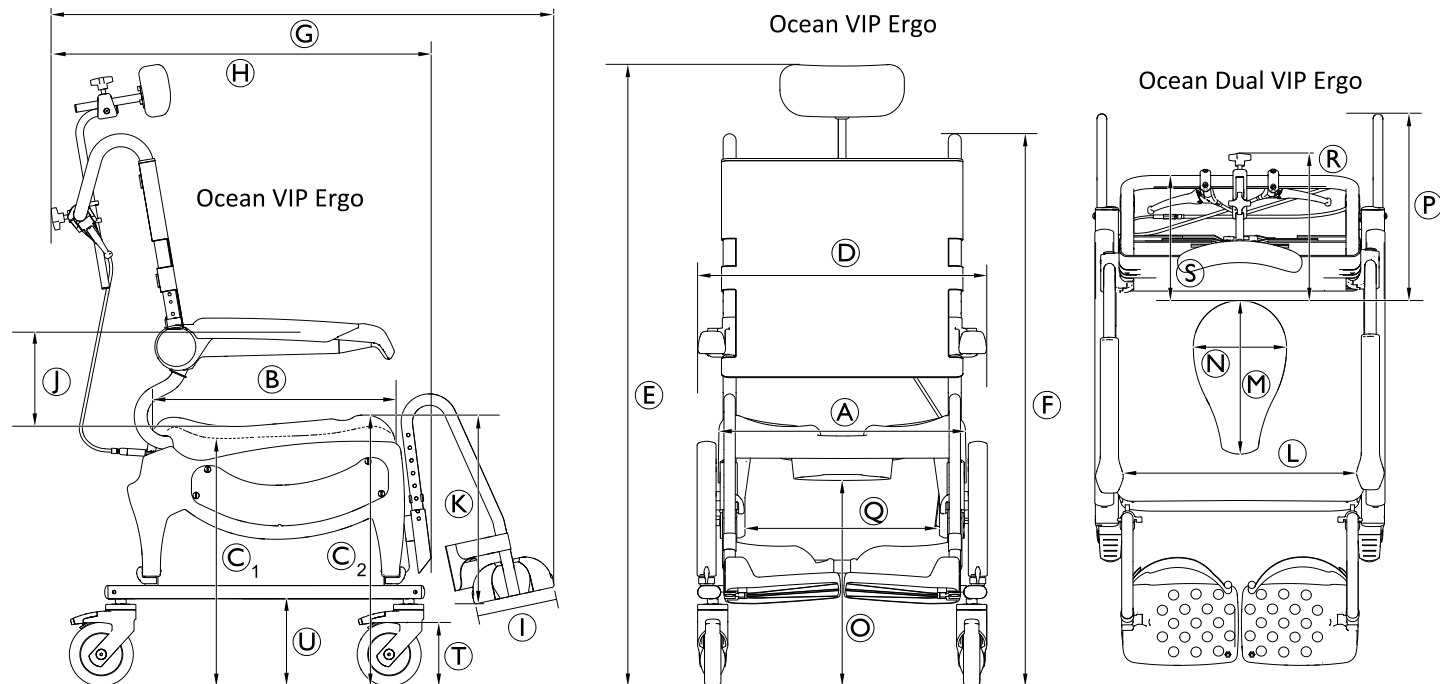


A tabela seguinte faculta informações sobre avarias e as suas causas possíveis. Se não conseguir corrigir a avaria utilizando as soluções indicadas, contacte o seu fornecedor diretamente.

Avaria	Causa possível	Solução
Dificuldade em ajustar a altura do assento	Sujidade entre a estrutura de assento e a parte lateral	Desmonte o chassis da base e limpe rigorosamente o chassis da base e a parte lateral
É difícil ou impossível rodar os rodízios	Sujidade entre a forqueta e o aro	Limpe rigorosamente os rodízios.
Dificuldade em empurrar os apoios de pés para o lado	Depósitos nas calhas	Limpe rigorosamente os apoios de pés e as calhas.
Não é possível inclinar o estrutura de assento com o encosto	Depósitos no mecanismo de inclinação	Retire a tampa do travão e a alavanca de travagem e limpe rigorosamente o mecanismo de inclinação
	O cabo Bowden não está corretamente ajustado	O cabo Bowden tem de ser ajustado por um técnico qualificado
Maior força necessária para acionar a mola pneumática (modelo Dual VIP)	Longo período de armazenamento	Repita a inclinação do encosto várias vezes
O encosto não pode ser inclinado (modelo Dual VIP)	O cabo Bowden não está corretamente ajustado	O cabo Bowden tem de ser ajustado por um técnico qualificado
Trepidar durante a inclinação da estrutura de assento com o encosto.	O cabo Bowden não está corretamente ajustado	O cabo Bowden tem de ser ajustado por um técnico qualificado
	O manípulo de ativação não foi puxado completamente	Puxe o manípulo de ativação completamente.

## 10 Características Técnicas

### 10.1 Dimensões e peso



	Ocean VIP Ergo	Ocean VIP Ergo XL*	Ocean Dual VIP Ergo
(A)		480 mm	
(B)		480 mm	

	Ocean VIP Ergo	Ocean VIP Ergo XL*	Ocean Dual VIP Ergo
© <sub>1</sub>	475 mm - 600 mm		
© <sub>2</sub>	533 mm - 658 mm		
©	565 mm	645 mm	565 mm
©	cerca de 1052 mm – 1340 mm (na posição neutra do assento)		
©	cerca de 1052 mm – 1202 mm (na posição neutra do assento)		
©	cerca de 1000 mm Inclinada: cerca de 1520 mm Inclinada e com o encosto reclinado (apenas Ocean Dual VIP): cerca de 1700 mm		
©	cerca de 742 mm		
©	160 mm		
©	213 mm/251 mm/289 mm		
©	319 mm – 469 mm (em incrementos de 25 mm)		
©	475 mm	535 mm	475 mm
©	350 mm (a partir de cima)/300 mm (a partir de baixo)		
©	250 mm (a partir de cima)/182 mm (a partir de baixo)		
©	400 mm - 525 mm		
©	—	—	380 mm
©	385 mm		
©	295 mm		—
©	230 mm		—
©	Æ 127 mm (5")		

	Ocean VIP Ergo	Ocean VIP Ergo XL*	Ocean Dual VIP Ergo
Ⓢ	172 mm		
Ângulo de inclinação do assento	-5° – 40°		
Ângulo de inclinação do encosto	—	—	5° – 35°
Diâmetro de rotação	2200 mm		
Largura de reversão	1140 mm	1290 mm	
Peso do produto	23.5 kg	28.3 kg	
Peso máximo do utilizador	150 kg		

\* XL - os apoios de braços estão disponíveis opcionalmente.

## 10.2 Materiais

Chassis	Aço inoxidável, lacado
Placa de assento	Polipropileno, reforçado com fibra de vidro
Capa do encosto	Nylon, revestido com PVC
Apoios de pés	Polipropileno, reforçado com fibra de vidro
Apoio de braço	Poliamida, reforçado com fibra de vidro
Rodízios	Plástico e aço inoxidável

Todos os componentes do produto são resistentes à corrosão e não contêm látex de borracha natural.

## 10.3 Parâmetros ambientais

<b>Condições de funcionamento</b>	
Temperatura ambiente	10 - 65 °C
Humidade relativa	15% - 93%, sem condensação
Pressão atmosférica	795 - 1060 hPa
<b>Condições de transporte e armazenamento</b>	
Temperatura ambiente	0 - 65 °C

Humidade relativa	30% - 75%, sem condensação
Pressão atmosférica	795 - 1060 hPa





# Inhoudsopgave

Deze handleiding dient te worden overhandigd aan de gebruiker van het product. Lees deze handleiding VÓÓR u het product gebruikt en bewaar hem voor eventuele raadplegingen in de toekomst.

<b>1 Algemeen</b>	<b>.218</b>
1.1 Inleiding	.218
1.2 Symbolen in dit document	.218
1.3 Garantie-informatie	.219
1.4 Naleving	.219
1.4.1 Productspecifieke normen	.219
1.5 Levensduur	.219
<b>2 Veiligheid</b>	<b>.220</b>
2.1 Veiligheidsinformatie	.220
2.2 Identificatie en symbolen op het product	.221
<b>3 Productoverzicht</b>	<b>.224</b>
3.1 Beoogd gebruik	.224
3.2 Voornaamste onderdelen van het product	.224
<b>4 Montage</b>	<b>.226</b>
4.1 Veiligheidsinformatie	.226
4.2 De douche- en toiletstoel monteren	.226
4.2.1 De zithoogte aanpassen	.226
4.2.2 De rugleuning installeren	.227
4.2.3 De activatiehandgreep installeren	.228
4.2.4 De zitplaat installeren en verwijderen	.229
4.2.5 Hoogte van de armsteunen instellen	.229
4.2.6 De voetsteunen installeren	.230
4.2.7 De hoofdsteun installeren	.231
4.2.8 De antikantelsteunen aan de achterkant plaatsen	.232
4.2.9 De rem- en klembeschermers plaatsen/verwijderen	.232
4.3 Montage van accessoires en opties	.233

4.3.1 De ondersteekhouder en ondersteek plaatsen/verwijderen	.234
<b>5 Gebruik</b>	<b>.235</b>
5.1 Veiligheidsinformatie	.235
5.2 De armsteunen draaien	.236
5.3 De voetsteunen draaien	.237
5.4 Het zitframe met rugleuning kantelen	.237
5.5 De rugleuning kantelen (alleen bij de Ocean Dual VIP Ergo)	.239
5.6 De remmen van de zwenkwielen in-/uitschakelen	.240
<b>6 Transport</b>	<b>.241</b>
6.1 Veiligheidsinformatie	.241
<b>7 Onderhoud</b>	<b>.242</b>
7.1 Onderhoud en inspectie	.242
7.2 Reiniging en desinfectie	.242
7.2.1 Algemene veiligheidsinformatie	.242
7.2.2 Reinigingsintervallen	.243
7.2.3 Reiniging	.243
7.2.4 Instructies voor desinfecteren	.244
<b>8 Na gebruik</b>	<b>.245</b>
8.1 Opslag	.245
8.2 Geschikt maken voor hergebruik	.245
8.3 Afvoeren	.245
<b>9 Problemen oplossen</b>	<b>.246</b>
9.1 Storingen identificeren en oplossen	.246
<b>10 Technische Specificaties</b>	<b>.247</b>
10.1 Afmetingen en gewicht	.247
10.2 Materialen	.249
10.3 Omgevingsparameters	.249

# 1 Algemeen

## 1.1 Inleiding

Deze gebruikershandleiding bevat belangrijke informatie over het gebruik van dit product. Lees de gebruikershandleiding aandachtig door en volg de veiligheidsinstructies, zodat u zeker weet dat u het product veilig gebruikt.

Gebruik dit product alleen als u deze handleiding hebt gelezen en begrepen. Ga voor meer informatie over het product en bij vragen over het juiste gebruik en eventuele aanpassing van het product naar een professionele zorgverlener die vertrouwd is met uw medische aandoening.

Omdat dit document betrekking heeft op alle beschikbare modellen (op de datum waarop dit document is gedrukt), zijn mogelijk niet alle delen relevant voor uw product. Indien niet expliciet anders wordt vermeld, verwijst elk hoofdstuk in dit document naar alle modellen van het product.

De modellen en uitvoeringen die in uw land beschikbaar zijn, zijn te vinden in de verkoopdocumenten van het desbetreffende land.

Invacare behoudt zich het recht voor om productspecificaties zonder voorafgaande kennisgeving te wijzigen.

Controleer voordat u dit document leest of u de juiste versie hebt. U vindt een pdf-bestand met de laatste versie op de Invacare-website.

Als u de lettergrootte in de gedrukte versie van het document moeilijk kunt lezen, kunt u een pdf-versie downloaden van de website. In de pdf-versie kunt u de letters op het scherm aanpassen tot een grootte die u prettiger vindt.

Neem voor meer informatie over het product, bijvoorbeeld meldingen over productveiligheid en teruggeroepen producten, contact op met uw Invacare-vertegenwoordiger. Zie de adressen aan het einde van dit document.

In geval zich een ernstig incident met het product voordoet, dient u de fabrikant en de bevoegde instantie in uw land daarvan op de hoogte te brengen.

## 1.2 Symbolen in dit document

In dit document worden symbolen en signaalwoorden gebruikt die van toepassing zijn op gevaren of onveilige handelingen die kunnen leiden tot persoonlijk letsel of schade aan eigendommen. Zie de onderstaande informatie voor de definities van de symbolen.



### WAARSCHUWING

Duidt op een gevaarlijke situatie die kan leiden tot ernstig letsel of overlijden als de situatie niet wordt vermeden.



### LET OP

Duidt op een gevaarlijke situatie die kan leiden tot licht of klein letsel als de situatie niet wordt vermeden.


**!** **KENNISGEVING**  
Duidt op een gevaarlijke situatie die kan leiden tot schade aan eigendommen als de situatie niet wordt vermeden.

**i** **Tips en adviezen**  
Hier worden nuttige tips, adviezen en informatie voor efficiënt, probleemloos gebruik gegeven.

### Overige symbolen

(Niet op alle handleidingen van toepassing)

**UKRP** Verantwoordelijke persoon in het VK  
Geeft aan of een product wel of niet in het Verenigd Koninkrijk is geproduceerd.

 **Triman**  
Wijst op de regels voor recylen en sorteren (alleen voor Frankrijk).

## 1.3 Garantie-informatie

Wij bieden voor dit product een fabrieksgarantie in overeenstemming met onze Algemene Voorwaarden in de respectievelijke landen.

Garantieclaims kunnen alleen worden ingediend via de dealer bij wie u het product hebt gekocht.

## 1.4 Naleving

Kwaliteit is cruciaal bij onze bedrijfsactiviteiten, waarbij wordt gewerkt binnen de normen van ISO 13485.

Dit product is voorzien van het CE-merkteken conform Verordening 2017/745 betreffende medische hulpmiddelen, klasse I.

Dit product heeft de UKCA-markering, conform deel II van de UK MDR 2002 (herziene versie), klasse I.

Wij werken er continu aan om ervoor te zorgen dat het effect van het bedrijf op het milieu, zowel lokaal als internationaal, zo veel mogelijk wordt beperkt.

Wij maken uitsluitend gebruik van materialen en onderdelen die voldoen aan de REACH-richtlijnen.

### 1.4.1 Productspecifieke normen

Het product is getest en voldoet aan de norm ISO 17966 (Helpende producten voor persoonlijke hygiëne ter ondersteuning van gebruikers) en alle bijbehorende normen. Deze norm omvat tests op ontvlambaarheid. Progressief brandende ontsteking en vlammeende ontsteking treden niet op.

Neem voor meer informatie over de lokale normen en voorschriften contact op met uw lokale Invacare-vertegenwoordiger. Zie de adressen aan het einde van dit document.

## 1.5 Levensduur

De verwachte levensduur van dit product is vijf jaar bij dagelijks gebruik en in overeenstemming met de veiligheidsinstructies, onderhoudstermijnen en bij correct gebruik, zoals aangegeven in deze handleiding. De effectieve levensduur kan variëren afhankelijk van de frequentie en intensiteit van het gebruik.

## 2 Veiligheid

### 2.1 Veiligheidsinformatie



#### **WAARSCHUWING!**

##### **Kans op ernstig letsel of schade**

Verkeerd gebruik van dit product kan leiden tot schade of lichamelijk letsel.

- Als u de waarschuwingen, aanwijzingen of instructies niet begrijpt, neem dan contact op met een professionele zorgverlener of leverancier voordat u dit hulpmiddel gebruikt.
- Gebruik dit product of de beschikbare optionele apparatuur alleen als u deze instructies en het eventuele aanvullende instructiemateriaal volledig hebt doorgelezen en begrepen, met inbegrip van de gebruikershandleiding, servicehandleidingen of instructiebladen die bij dit product of de optionele apparatuur worden verstrekt.



#### **WAARSCHUWING!**

##### **Gevaar voor lichamelijk letsel**

- Controleer het product vóór elk gebruik op schade en controleer of het stevig is gemonteerd.
- Vóór het eerste gebruik moet het product grondig worden gereinigd.



#### **WAARSCHUWING!**

##### **Gevaar voor lichamelijk letsel**

Verkeerd gebruik van dit product kan leiden tot schade of lichamelijk letsel.

- Niet gebruiken indien defect.
- Neem direct contact op met uw leverancier in geval van een defect.
- Voer geen ongeautoriseerde wijzigingen of aanpassingen uit op het product.
- Gebruik alleen de accessoires/opties die bedoeld zijn voor dit product.



#### **WAARSCHUWING!**

##### **Gevaar voor lichamelijk letsel**

Verkeerd gebruik van dit product kan leiden tot schade of lichamelijk letsel.

- Het product bij belasting niet optillen.
- Ga niet op dit product staan.



#### **LET OP!**

##### **Gevaar voor lichamelijk letsel**

Niet-originele of verkeerde onderdelen kunnen de werking en veiligheid van het product nadelig beïnvloeden.

- Gebruik alleen originele onderdelen voor het product dat u gebruikt.
- Omdat er verschillen zijn per regio, kunt u het beste de Invacare-catalogus of -website in uw regio raadplegen voor de beschikbare opties. U kunt ook contact opnemen met uw lokale Invacare-vertegenwoordiger. Zie de adressen achter in dit document.



### KENNISGEVING

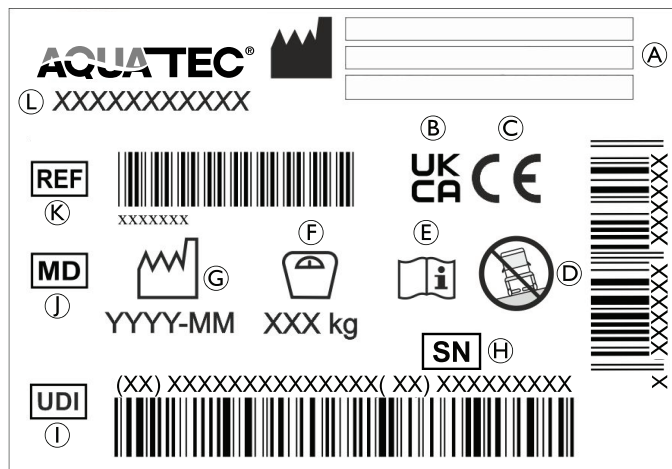
Als dit product wordt gecombineerd met een ander product, gelden de beperkingen van beide producten voor de combinatie. Het maximale gebruikersgewicht van één product in de combinatie kan bijvoorbeeld lager zijn.

- Gebruik alleen door Invacare goedgekeurde combinaties. Neem voor meer informatie contact op met uw Invacare-distributeur.
- Lees vóór gebruik de gebruikershandleiding van elk product en controleer de beperkingen. Voor een veilig gebruik is volledige naleving van de informatie, instructies en aanbevelingen in beide gebruikershandleidingen noodzakelijk.

## 2.2 Identificatie en symbolen op het product


### Identificatie

Het typeplaatje bevat belangrijke informatie:




(A)	Adres van de fabrikant
(B)	Conformiteit VK beoordeeld
(C)	Conformiteit met Europese normen
(D)	Alleen voor gebruik op een vlakke ondergrond
(E)	Lees de gebruiksaanwijzing
(F)	Maximaal gebruikersgewicht
(G)	Fabricagedatum
(H)	Serienummer
(I)	Unieke apparaat-id
(J)	Medisch hulpmiddel

Ⓚ	Referentienummer
Ⓛ	Productaanduiding


 De identificatie is aan de binnenkant van de linkerzijde bevestigd.

### Labels op het product


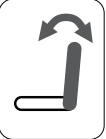
Het volgende label is aangebracht op de achterkant van de hoofdsteun:

Label	Omschrijving
	<p><b>VOORZICHTIG!</b></p> <p>Kans om geraakt te worden</p> <p>De rugleuning/hoofdsteun kan tegen uw lichaam botsen wanneer u aan de activatiehandgreep trekt.</p> <ul style="list-style-type: none"> <li>– Zorg ervoor dat er genoeg ruimte is tussen uzelf en de rugleuning/hoofdsteun wanneer u het zitframe met rugleuning kantelt.</li> </ul>

Het volgende label is aangebracht op de handgreep van de rugleuning:

Label	Omschrijving
	<p><b>WAARSCHUWING!</b></p> <p>Risico op kantelen</p> <ul style="list-style-type: none"> <li>– Ga niet op de voetsteun staan om in of uit de douche- en toiletstoel te komen.</li> <li>– Duw de voetsteunen naar de zijkant of klap de voetplaten in voordat u in of uit de douche- en toiletstoel stapt.</li> <li>– Draai de zwenkwielen zo dat de vergrendeling naar voren is gericht voordat iemand plaatsneemt in de rolstoel of iemand opstaat.</li> <li>– Leun niet te ver naar voren wanneer u in de douche- en toiletstoel zit.</li> </ul>

De volgende labels zijn aangebracht op de achterzijde van de activatiehandgreep:

Label	Omschrijving
	Activatiehandgreep voor het kantelen van de zitting.
	De activatiehandgreep dient alleen voor het kantelen van de rugleuning.

## 3 Productoverzicht

### 3.1 Beoogd gebruik

De Aquatec Ocean VIP Ergo en Aquatec Ocean Dual VIP Ergo zijn mobiele douche- en toiletstoelen met zitkantelfunctie, een roestvrijstalen frame, individueel aanpasbare zithoogte, naspanbare rugleuning, opklapbare armsteunen en inklapbare en in hoek verstelbare voetplaten met structuur. Het product is ook beschikbaar met een extra functie voor het achterover kantelen van de rugleuning.

Deze mobiele douche- en toiletstoelen zijn bedoeld ter ondersteuning van de persoonlijke hygiëne met of zonder begeleiding in zorginstellingen en thuis.

Gebruikstemperatuur (alleen binnenshuis): 10 - 65 °C

#### Beoogde gebruikers

De gebruiker kan de persoon in de douche- en toiletstoel zelf zijn of een begeleider. Het hulpmiddel kan worden gebruikt voor jongeren of volwassenen met een lichaamslengte van 146 cm of meer, een gewicht van 40 kg of meer en een BMI (body mass index) van 16 of meer.

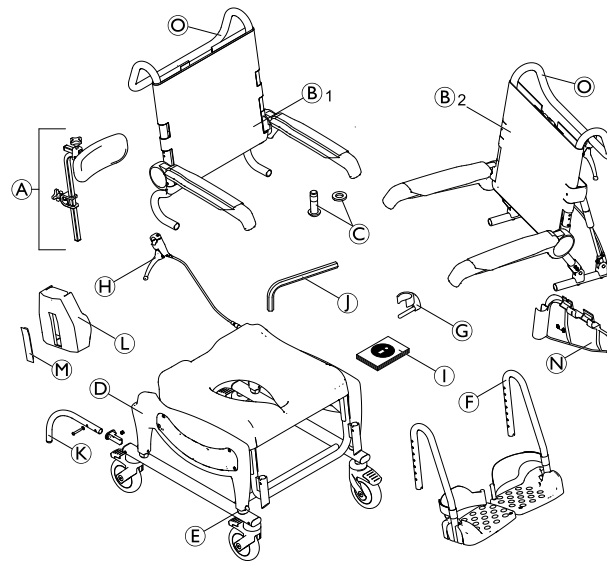
Zie *10 Technische Specificaties, pagina 247* voor het maximale gebruikersgewicht van het product.

#### Indicaties

- Personen die moeite hebben met staan of evenwicht houden,
- last hebben van zwakke benen of een handicap aan de benen hebben;
- met medische aandoeningen die het evenwicht negatief beïnvloeden.

Er zijn geen contra-indicaties bekend bij gebruik van het product zoals bedoeld.

### 3.2 Voornaamste onderdelen van het product

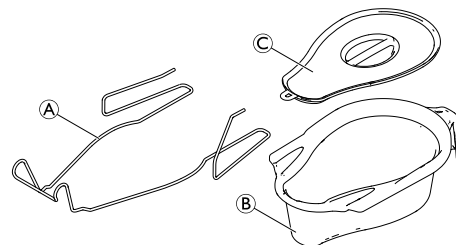


Ⓐ	Hoofdsteun
Ⓑ <sub>1</sub>	<b>Ocean VIP Ergo:</b> Rugleuning met rugbekleding en armsteunen
Ⓑ <sub>2</sub>	<b>Ocean Dual VIP Ergo:</b> Rugleuning met rugbekleding, armsteunen en handgreep voor kantelen van rugleuning



Ⓒ	Schroeven (4x) en sluitringen (4x) voor vastzetten van rugleuning
Ⓓ	Zitframe met zitplaat en zijanten met frame en zwenkwielen
Ⓔ	Klemmen (4x) voor hoogteaanpassing
Ⓕ	Voetsteunen met hielbanden (2x)
Ⓖ	Klemmen (2x) voor voetsteunen
Ⓗ	Activatiehandgreep voor kantelen van zitting
Ⓘ	Gebruikershandleiding
Ⓙ	inbussleutel
Ⓚ	Antikantelsteun achter met schroef, sluitring en bevestigingsstuk (2x) (alleen bij Ocean Dual VIP Ergo)
Ⓛ	Rembescherming (2x)
Ⓜ	Remhendelbescherming (2x)
Ⓝ	Klembescherming (2x)
Ⓞ	Duwstang

### Ondersteekhouder met ondersteek (optioneel)



Ⓐ	Ondersteekhouder
Ⓑ	Ondersteek
Ⓒ	Deksel

## 4 Montage

### 4.1 Veiligheidsinformatie



#### WAARSCHUWING!

- Controleer de onderdelen op transportschade voordat u het product in gebruik neemt en neem indien nodig contact op met uw leverancier.
- Houd er bij de montage rekening mee dat alle onderdelen juist geplaatst dienen te worden zodat er geen beschadigingen optreden.
- Zelfborgende schroeven/moeren of kleefstof voor schroefdraadborging worden gebruikt voor verschillende verbindingen. Als deze worden losgemaakt, moeten ze worden vervangen door nieuwe zelfborgende schroeven/moeren, of worden vastgezet met behulp van een nieuwe kleefstof voor schroefdraadborging.



#### LET OP!

#### Beknellingsgevaar

- Wees voorzichtig tijdens het monteren.

### 4.2 De douche- en toiletstoel monteren

In dit gedeelte wordt de montage beschreven. Demontage wordt in omgekeerde volgorde uitgevoerd.



De hoogte van de arm- en voetsteun, de hoek van de voetsteun, de hoofdsteun, de hielband, de spanning van de rugbekleding en accessoires/opties moeten optimaal op de gebruiker zijn afgestemd.

#### 4.2.1 De zithoogte aanpassen

In dit gedeelte wordt de montage beschreven. Demontage wordt in omgekeerde volgorde uitgevoerd.

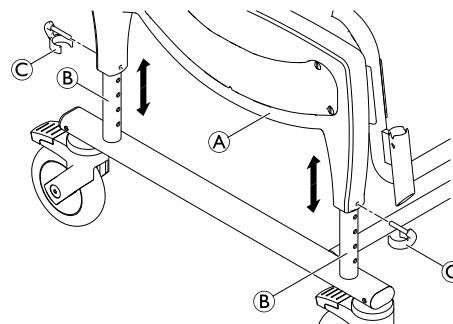


#### WAARSCHUWING!

- Pas de zithoogte van de douche- en toiletstoel niet aan wanneer er iemand op zit.



De zithoogte moet aan beide kanten tegelijk worden aangepast.



1. Til de douche- en toiletstoel aan de zijkant (A) iets omhoog.
2. Verwijder de vier klemmen (C) (twee aan elke kant).
3. Stel de juiste hoogte in door het zitframe tegelijkertijd omhoog of omlaag te bewegen over de vier buizen (B) van het frame.

4. Zet de klemstukken op de zijkant op een lijn met een gat in het frame.
5. Breng de vier klemmen vanaf de buitenkant in de zijkant in tot beide randen van de klem de framebuis van het frame ② omsluiten.



### WAARSCHUWING!

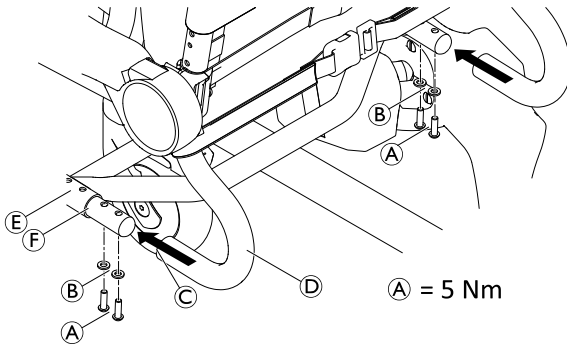
#### Gevaar voor lichamelijk letsel

- Controleer of alle vier de klemmen zijn vastgezet.
- Controleer of alle vier de buizen op dezelfde hoogte zijn afgesteld.



De zithoogte kan worden versteld in verschillende gebruikssituaties, bijv. verplaatsing van een bed naar een rolstoel of gebruik boven een toilet, enz.

#### 4.2.2 De rugleuning installeren



1. Druk alle vier de voetpedalen omlaag zodat de zwenkwielen worden vergrendeld.
2. Duw de rugleuning ④ vanaf de achterkant op het zitframe ⑤ tot de boord ③ de zitframebuis ⑥ raakt.

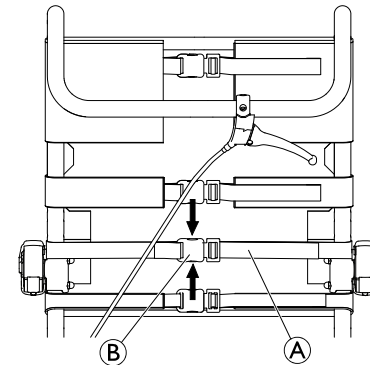


### KENNISGEVING

- Draai de schroeven stevig aan met de meegeleverde inbussleutel.
  - Controleer regelmatig of de schroeven goed vastzitten.
3. Plaats een sluitring ② op elke schroef ① en zet de rugleuning aan elke zijde stevig vast.
  4. Draai de schroeven aan met een moment van 5 Nm.

#### De rugbekleding aanpassen

De spanning van de rugleuning kan waar nodig worden aangepast.





### WAARSCHUWING!

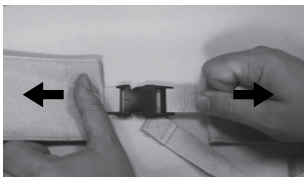
– Zorg dat er altijd minimaal drie riemen zijn gelegd rond het rugleuningframe (aan de buitenkant) en dat de riemgespen vastzitten.

Aanspannen:

1. Span de riemen **A** van de rugbekleding aan.

Losmaken:

1. Open de riemgespen **B** door de lippen naar elkaar toe te drukken (pijlen).
2. Duw de riemen een stuk terug door de gesp.
3. Zet de riemgespen vast.
4. Span de riemen opnieuw een beetje aan.



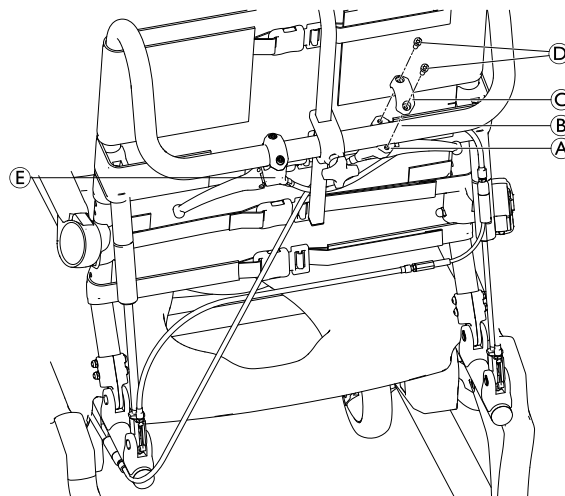
### WAARSCHUWING!

**Risico op letsel door beschadigde rugleuninggespen**

Controleer of de rugleuninggespen stevig vastzitten na elk onderhoud of elke reparatie.

- Controleer of alle gordelclips stevig vastzitten door de gordels te sluiten en aan beide uiteinden te trekken.
- Vervang de rugleuning/rugleuninggespen als een gesp tijdens het trekken opengaat.

## 4.2.3 De activatiehandgreep installeren




1. Verwijder het klemgedeelte **C** van de activatiehandgreep **A** door de schroeven **D** los te draaien.
2. Plaats de activatiehandgreep **A** voor het kantelen van de zitting vanaf de onderkant op de rechterkant van de handgreepbuis **B**.



De handgreep moet iets naar binnen zijn gericht ten opzichte van de rugleuning.

3. Plaats de activatiehandgreep op de handgreepbuis via het klemgedeelte **C** en de schroeven **D**.

-  Bij de Ocean Dual VIP Ergo is de activatiehandgreep **E** voor het kantelen van de rugleuning al op de linkerkant van de handgreepbuis geïnstalleerd. De positie van de activatiehandgreep kan eventueel worden gewijzigd.

#### 4.2.4 De zitplaat installeren en verwijderen

##### Installatie


1. Plaats de zitplaat op het zitframe met de uitsparing naar de voorkant gericht.
2. Druk de zijkanten van de zitplaat met de vlakke hand naar beneden en duw vervolgens tegen de voor- en achterzijde tot de zitplaat in het zitframe valt.

##### Verwijderen

1. Trek de zitplaat aan de achterkant naar boven.

#### 4.2.5 Hoogte van de armsteunen instellen

1. Open de riemgesp van de rugbekleding die via de binnenkant van het rugleuningframe wordt gelegd.
2. Open de riemgesp van de rugbekleding, die zich boven de armsteunen bevindt.

-  Bij het verstellen naar een lagere positie moet de riem onder de armsteun worden geopend.

3. Leg de riem door de binnenkant van het rugleuningframe en sluit de riem weer.

4.

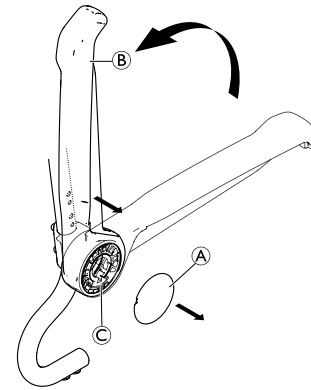


Fig. 4-1

Verwijder dop **A**.

5. Klap de armsteun **B** in om deze van de armsteunbeugel **C** te halen.
- 6.

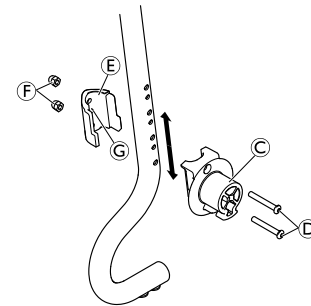




Fig. 4-2

Verwijder de schroeven **D** van de armsteunbeugel **C** met de inbussleutel.

7. Verwijder de borgklem ⑤ met de bouten ⑥ vanaf de binnenkant van het rugleuningframe.
  -  De bouten worden los in de borgklem geplaatst en kunnen loskomen.
8. Om de armsteunbeugel en de borgklem weer op de gewenste plaats te monteren, steekt u de schroeven ④ in de armsteunbeugel en geleidt u ze door de gewenste gaten in het rugleuningframe.
  -  De kleinere gaten aan de binnenkant van het rugleuningframe bevestigen de borgklem.
9. Plaats de borgklem zodanig dat de bevestiging ③ van de borgklem in het kleinere gat grijpt.
10. Draai de schroeven ④ vast met 5-6 Nm en draai de moeren ⑥ vast.
- 11.

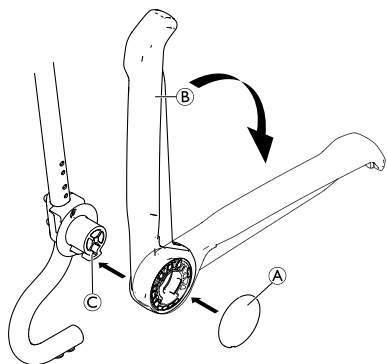



Fig. 4-3

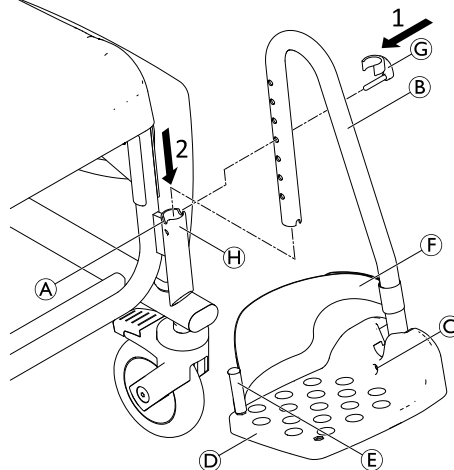
Installeer armsteun ② opnieuw op beugel ③.

12. Klap de armsteun omlaag.
13. Installeer opnieuw dop ①.


14. Leg de loshangende riem van de rugbekleding over de buitenkant van het rugleuningframe, sluit alle riemgespen en trek ze aan.
15. De procedure van de hoogteaanpassing is gelijk voor zowel de rechter- als de linkerarmsteun.

 Voor het plaatsen van accessoires/opties opent u de derde riem vanaf de bovenkant en schuift u de rugbekleding er via de binnenkant van het rugleuningframe door.


#### 4.2.6 De voetsteunen installeren



1. Plaats de pin van de klem © vanaf de buitenkant in het vereiste gat op de voetsteun ⑤. Zorg ervoor dat de klem rond de buis is vastgeklikt.
2. Druk de voetsteun in de geleider ④ aan de voorkant van de zijkant totdat de pin van de klem © in de groef ① zit. De voetsteun kan niet meer opzij worden gedraaid.

 De montageprocedure is gelijk voor zowel de rechter- als de linkervoetsteun.

### De hoogte van de voetsteunen aanpassen

 De voetsteunen kunnen indien nodig worden ingekort (raadpleeg de servicehandleiding). Het inkorten van de voetsteunen moet worden uitgevoerd door een gekwalificeerde technicus.

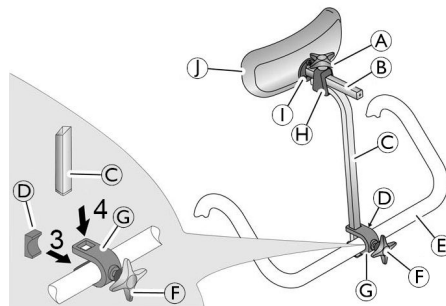
1. Trek de voetsteun ⑤ iets omhoog.
2. Trek de klem © uit het gat in de voetsteun en plaats hem opnieuw in het vereiste gat. Trek de voetsteun indien nodig een klein stukje verder uit.
3. Druk de voetsteun omlaag tot de groef ① in de pin van de klem valt.
4. Stel de andere voetsteun op de vereiste hoogte in.

### De helling van de voetplaten instellen


 De helling van de voetplaten kan met oneindig veel variaties worden ingesteld.

1. Draai de inbusschroef © op de voetplaat losser met een inbussleutel van maat 4.
2. Draai de voetplaat ④ naar de vereiste positie.
3. Draai de inbusschroef weer vast.

### 4.2.7 De hoofdsteen installeren




1. Gebruik de sterkopschroevendraaier ⑥ om de schroef een beetje in de beugel © te draaien.
2. Duw de beugel met de schroef vanaf de achterkant op de handgreep van de rugleuning ⑤, zodat de schroef in het gat op de handgreep van de rugleuning vast komt te zitten.
3. Bevestig de plaat ④ vanaf de voorkant op de beugel, zodat beide lippen van de plaat naar boven en beneden zijn gericht en de afgeronde zijde van de plaat de handgreep van de rugleuning raakt.
4. Duw de hoogteaanpassingsbuis © vanaf de bovenkant in de inkepingen op de beugel.
5. Gebruik de sterkopschroevendraaier om de bovenste schroef vast te draaien tot de hoogteaanpassingsbuis in de juiste positie is vastgezet.
6. Duw het kussen ① en de kussenhouder ② in de houder ③ op de hoogteaanpassingsbuis.
7. Gebruik de sterkopschroevendraaier ④ om de bovenste schroef vast te draaien tot de kussenhouder in de juiste positie is vastgezet.

 Om deze aan de gebruiker aan te passen, kunt u de hoogteaanpassingsbuis afstellen met de afgeronde zijde naar de voor- of achterkant gericht.

Het hoofdsteunkussen ① kan worden verwijderd en vervangen door andere kussenvormen (optioneel). Als u dit wilt verwijderen, maakt u de borgbouten ① los.

### De lengte van de hoofdsteun aanpassen

 De hoofdsteunbuizen ③ en ② kunnen indien nodig worden ingekort (raadpleeg de servicehandleiding). Het inkorten van de hoofdsteunbuizen moet worden uitgevoerd door een gekwalificeerde technicus.

### 4.2.8 De antikantelsteunen aan de achterkant plaatsen



#### WAARSCHUWING!

#### Risico op kantelen

Tijdens het kantelen van de rugleuning op de Ocean Dual VIP Ergo kan er ernstig lichamelijk letsel worden toegebracht. De hele stoel kan achterover kantelen.

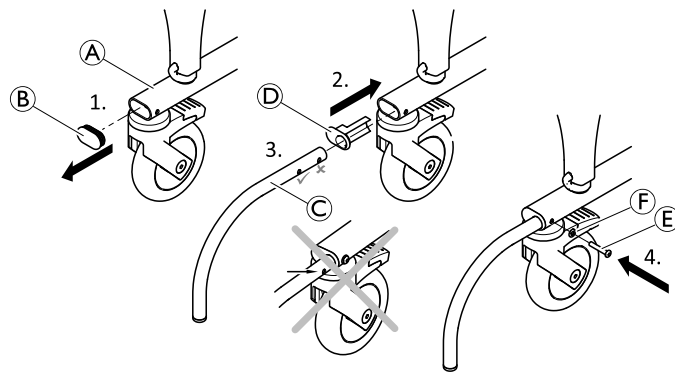
- Voordat u de Ocean Dual VIP Ergo gaat gebruiken moet u zorgen dat beide antikantelsteunen aan de achterkant zijn geplaatst.



#### WAARSCHUWING!

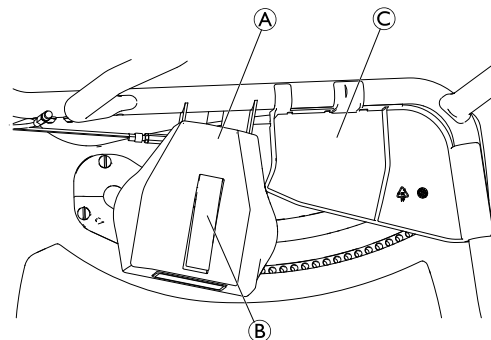
#### Kans op lichamelijk letsel

- Ga nooit op de antikantelsteunen staan.



1. Verwijder de afdekkap ② van het frame ①.
2. Bevestig het bevestigingsstuk ④ aan het frame.
3. Plaats de antikantelbuis ③.
4. Zet de antikantelsteun via de tweede opening vast met schroef ⑤ en sluitring ⑥.
5. Plaats de tweede antikantelsteun aan de andere kant.

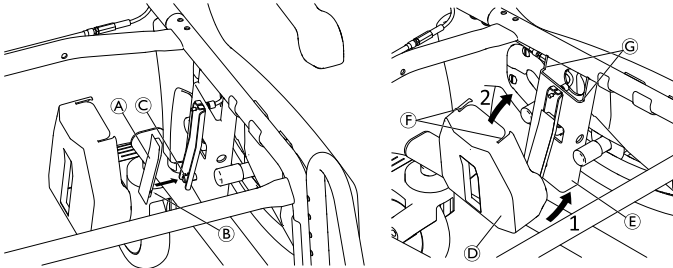
### 4.2.9 De rem- en klembeschermers plaatsen/verwijderen





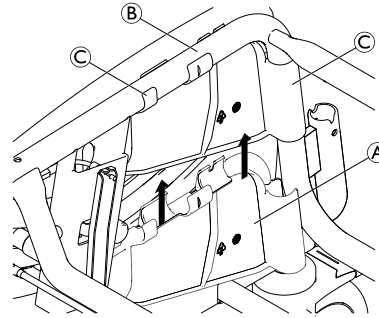
(A)	Rembescherming
(B)	Remhendelbescherming
(C)	Klembescherming

### Rembescherming



1. Bevestig de remhendelbescherming (A) door de sleuf (B) omhoog te schuiven op de kleine schacht (C).
2. Plaats het onderste gedeelte van de rembescherming (D) van onderaf in een hoek over de rembehuizing (E).
3. Klap het bovenste gedeelte van de rembescherming zo op rembehuizing dat de inkepingen (F) netjes aansluiten op de randen (G).
4. Plaats de tweede rembescherming aan de andere kant.

### Klembescherming



1. Klik de klembescherming (A) vast op de framebuizen (B). Zorg ervoor dat alle klemmen (C) helemaal zijn vastgemaakt.
2. Plaats de tweede klembescherming aan de andere kant.

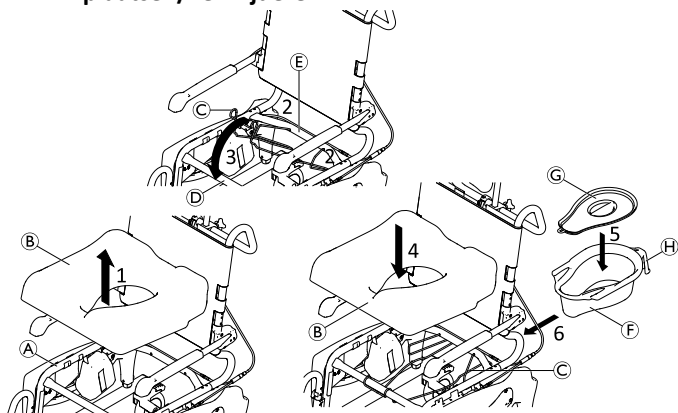
### 4.3 Montage van accessoires en opties



#### **WAARSCHUWING!** **Kans op lichamelijk letsel**

- De montage van accessoires en opties moet volgens de bijbehorende instructies worden uitgevoerd.

### 4.3.1 De ondersteekhouder en ondersteek plaatsen/verwijderen

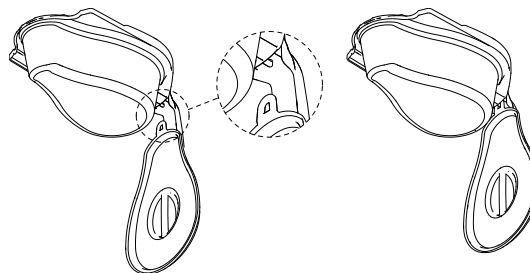


**i** De ondersteek ⑥ kan met of zonder deksel ⑦ worden geplaatst.

1. Verwijder de zitplaat ② uit het frame ①.
2. Plaats de uiteinden van de ondersteekhouder ③ in de gaten van de achterste kruisstang ⑤.
3. Klik het voorste deel van de ondersteekhouder vast aan de voorste kruisstang ④.
4. Plaats de zitplaat terug in het frame.
5. Zet het deksel op de ondersteek of verwijder het deksel.
6. Houd de ondersteek bij de handgreep ⑧ vast en plaats deze via de achterkant tussen de ondersteekhouder en de zitting.

**i** Duw de ondersteek iets naar beneden bij het plaatsen of verwijderen.

**i** Het deksel kan aan de plastic haak worden gehangen aan de onderkant van de handgreep van de ondersteek.



## 5 Gebruik

### 5.1 Veiligheidsinformatie



#### WAARSCHUWING!

- Gebruik de douche- en toiletstoel alleen op een vlakke ondergrond en binnenshuis.
- Kijk naar de specificaties op de identificatie. Zorg ervoor dat u de douche- en toiletstoel niet overbelast.
- Neem de veiligheidlabels in acht die op de achterzijde van de hoofdsteun en op de rugleuninghandgreep zijn aangebracht: *2.2 Identificatie en symbolen op het product, pagina 221*
- Plaats geen al te zware voorwerpen op de douche- en toiletstoel.
- Voer altijd en voor elk gebruik een visuele inspectie uit van het product op externe beschadigingen.



#### WAARSCHUWING!

##### Risico op uitglijden en weggrollen

- Zorg er vóór gebruik voor dat de zitting stevig is bevestigd aan het zitframe
- Vergrendel alle zwenkwielen met hendels met de voetsluitingen voordat iemand plaatsneemt of opstaat, of als de douche- en toiletstoel staat geparkeerd.



#### WAARSCHUWING!

##### Risico op kantelen

- Draai de voetsteunen naar de zijkant of klap de voetplaten omhoog voordat iemand plaatsneemt in of opstaat uit de rolstoel.
- Draai de voorste zwenkwielen zodat de vergrendeling naar voren is gericht voordat iemand plaatsneemt in of opstaat uit de rolstoel.
- Ga nooit op de voetsteunen staan.
- Leun niet te ver voorover.
- Duw de douche- en toiletstoel wanneer de gebruiker er op zit alleen voort wanneer het zitframe en de rugleuning in verticale positie zijn afgesteld.
- Verplaats de gebruiker alleen van of naar de douche- en toiletstoel wanneer het zitframe en de rugleuning in verticale positie zijn afgesteld.
- Verwijder in geen geval de pneumatische veren (alleen bij Ocean Dual VIP Ergo).



#### WAARSCHUWING!

##### Gevaar voor lichamelijk letsel!

- Voor het gebruik van de Variable Soft Seat-zitting (optioneel) moeten eerst de zijkantbeschermingen worden geïnstalleerd.



#### WAARSCHUWING!

##### Risico op achterover kantelen!

- De Ocean Dual VIP Ergo mag alleen worden gebruikt wanneer de antikantelsteunen aan de achterkant zijn geplaatst.



### **WAARSCHUWING!**

#### **Risico op kantelen**

- Duw de douche- en toiletstoel alleen voort via de duwstang.



### **LET OP!**

#### **Risico op verbranding van de huid!**

- De onderdelen van het product kunnen heet worden bij blootstelling aan een externe verwarmingsbron.
- Houd rekening met verwarmde oppervlakken bij het gebruik van de douche- en toiletstoel in de sauna of wanneer deze is blootgesteld aan heet water.
  - Stel het product vóór gebruik niet bloot aan direct zonlicht.



### **LET OP!**

#### **Risico op klem zitten door het kantelmechanisme**

- Wanneer u het zitframe of de rugleuning kantelt, moet u ervoor zorgen dat de armen van de gebruiker op de armsteunen rusten of voor het lichaam zijn gevouwen.
- Zorg ervoor dat de klembescherming op het frame is geplaatst (zie 4.2.9 *De rem- en klembeschermers plaatsen/verwijderen*, pagina 232



### **KENNISGEVING**

#### **Risico op breken van de hoofdsteun**

- Draai of duw de douche- en toiletstoel alleen met de handgreep aan de rugleuning, en nooit via de hoofdsteun.



### **KENNISGEVING**

#### **Risico op beschadiging van het product**

- Til de douche- en toiletstoel niet op aan de voetsteunen, armsteunen of accessoires/opties.



Voor gebruikers bij wie het risico groot is dat ze op de voetsteunen gaan staan (bijv. bij dementie), zijn er antikantelsteunen aan de voorzijde (optioneel) verkrijgbaar om te voorkomen dat de douche- en toiletstoel vooroverkantelt.

## **5.2 De armsteunen draaien**

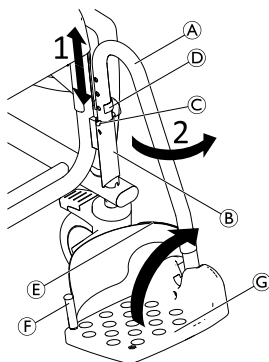


### **LET OP!**

#### **Knellingsgevaar voor vingers**

- Plaats geen vingers tussen de armsteun en de rugleuning wanneer de armsteunen naar achteren worden ingeklapt.

### 5.3 De voetsteunen draaien



#### Instappositie/uitstappositie:

1. Trek de voetsteun **A** in de geleider **B** iets omhoog totdat de pin van de klem **D** niet meer vastzit in de groef **C**.
2. Zwenk de voetsteun naar de zijkant.

#### Rijpositie:



#### LET OP!

**Risico op ongeluk als gevolg van losse voetsteun**  
– Bevestig de voetsteunen in de rijpositie.

1. Draai de voetsteun **A** naar binnen.
2. Druk de voetsteun omlaag tot de pin van klem **D** in groef **C** vastklikt.



De voetplaten **C** kunnen ook omhoog gezwenkt worden om in of uit de douche- en toiletstoel te komen.

### De hielband terugplaatsen

1. Open het klittenband **E** op de hielband.
2. Verwijder de schroef **F** uit de onderkant van de voetplaat.
3. Verwijder de hielband uit de flexibele plastic pin.



Om de band te bevestigen, voert u dezelfde procedure uit in omgekeerde volgorde.



Zorg er bij de installatie van een voetsteun altijd voor dat het klittenband van de hielband naar achteren is gericht.

### 5.4 Het zitframe met rugleuning kantelen



#### KENNISGEVING

– Steek tijdens het kantelen nooit een hand in de ruimte tussen de zijkanten en het buizenframe.

#### Naar voren/achteren kantelen



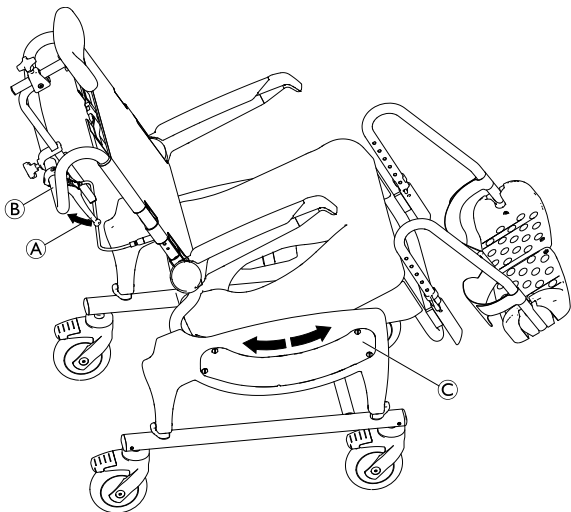
Het zitframe kan samen met de rugleuning ongeveer 40° naar achteren worden gekanteld.



Kantelstoppers (optioneel) zijn verkrijgbaar om te voorkomen dat het product naar voren kantelt tot een hoek van minder dan 0°.



In de twee laagste zithoogtes is het niet mogelijk om de voetsteun over het gehele bereik af te stellen. Controleer voor gebruik of de voetsteunen niet de vloer raken tijdens het naar voren kantelen van de zitting. Pas zo nodig de zithoogte of voetsteunhoogte aan.



### LET OP!

#### Kans op beknelling!

Uw vingers kunnen klem komen te zitten in het kantelmechanisme.

– Controleer voor gebruik steeds of de beschermkappen ©, die de zijkanten van het kantelmechanisme beschermen, op de juiste manier zijn geplaatst.

1. Druk alle vier de voetpedalen naar beneden zodat de zwenkwielen worden vergrendeld.
2. Houd de douchestoel vast bij de duwstang ②.
3. Trek de activatiehandgreep ① naar buiten en houd hem daar vast.
4. Stel de gewenste kantelhoek in door de handgreep ② omlaag te duwen of omhoog te trekken.
5. Zet het kantelmechanisme vast door de activatiehandgreep los te laten, zodat de pinnen vastklikken in de gaten op de gewenste positie. Het zitframe wordt afgesteld in de kantelhoek die op dat moment is ingesteld.

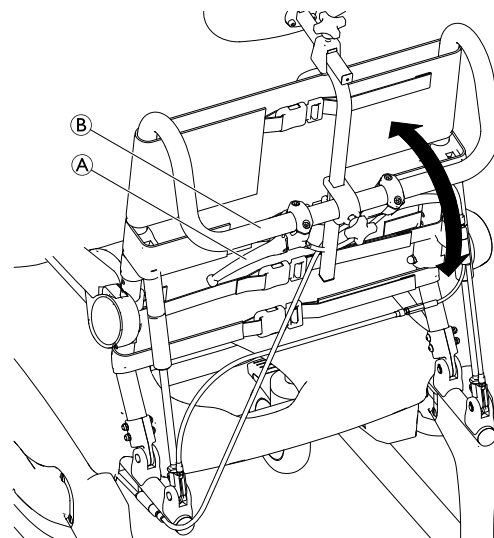
## 5.5 De rugleuning kantelen (alleen bij de Ocean Dual VIP Ergo)



### LET OP!

Pas op dat uw vingers niet bekneld raken tussen de armsteunbeugel en de zijkant.

- Steek nooit een hand in de ruimte tussen de armsteunbeugel en de zijkant wanneer u het zitframe achterover kantelt of de rugleuning neerklapt.
- Wanneer u het zitframe of de rugleuning kantelt, moet u ervoor zorgen dat de armen van de gebruiker op de armsteunen rusten of voor het lichaam zijn gevouwen.




1. Druk alle vier de voetpedalen naar beneden zodat de zwenkwieken worden vergrendeld.
2. Houd de douchestoel vast bij de duwstang **B**.
3. Trek de activatiehandgreep **A** naar buiten en houd hem daar vast.



De activatiehandgreep is voorzien van een vergrendelingsmechanisme. De handgreep treedt alleen in werking door aan het vergrendelingsmechanisme trekken.

4. Kantel de rugleuning in de gewenste positie.
5. Laat de activatiehandgreep los om de rugleuning in die stand vast te zetten.

 Er is meer kracht nodig om de rugleuning achterover te kantelen wanneer er niemand op de stoel zit. Omhoog kantelen zonder dat er iemand op de stoel zit, gaat automatisch wanneer u aan de activatiehandgreep trekt.

## 5.6 De remmen van de zwenkwielen in-/uitschakelen

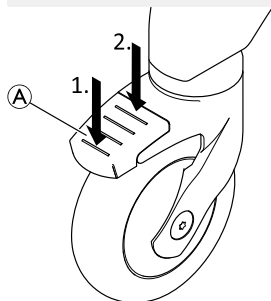



### LET OP!


#### Beknellingsgevaar

Alle remmen van de zwenkwielen worden met de voet bediend.


– Rem de zwenkwielen niet met de hand.



1. Om het zwenkwiel te vergrendelen, stapt u op het achterste deel van het pedaal  totdat die vastklikt.

 Het zwenkwiel is nu vergrendeld en kan niet meer zwenken.

2. Om het zwenkwiel te ontgrendelen, stapt u op het voorste deel van het pedaal totdat die is ontkoppeld.

 Het zwenkwiel met het blauwe pedaal (optionele draaivergrendeling) biedt zwenkvergrendeling om makkelijker rechtdoor te kunnen rijden.



---

## 6 Transport

---

### 6.1 Veiligheidsinformatie



Het product kan voor transport worden gedemonteerd in de onderdelen die zijn inbegrepen in de levering. Zie hoofdstuk 3.2 *Voornaamste onderdelen van het product, pagina 224*

1. Demonteer het product, zie hoofdstuk 4 *Montage, pagina 226* door de stappen voor montage in omgekeerde volgorde te volgen.



#### **KENNISGEVING**

- **Risico op beschadiging van het product**
  - Vervoer het product in een droge omgeving.
  - Stel dit product niet bloot aan direct zonlicht.
  - Raadpleeg de voorschriften voor opslag en transport, zie hoofdstuk 10.3 *Omgevingsparameters, pagina 249*



#### **KENNISGEVING**

- - Zelfborgende schroeven/moeren of kleefstof voor schroefdraadborging worden gebruikt voor verschillende verbindingen. Als deze worden losgemaakt, moeten ze worden vervangen door nieuwe zelfborgende schroeven/moeren, of worden vastgezet met behulp van een nieuwe kleefstof voor schroefdraadborging.

## 7 Onderhoud

### 7.1 Onderhoud en inspectie

Als de onderstaande instructies voor schoonmaak en veiligheid in acht worden genomen, heeft het product geen onderhoud nodig.

Voor een goede en veilige werking moeten de volgende controles regelmatig worden uitgevoerd:

- Controleer het product en de accessoires/opties regelmatig op schade. Het product niet gebruiken als het defect is.
- Controleer de kantelfunctie van het zitframe en de rugleuning (Ocean Dual VIP Ergo). U bent verplicht om de Easy-kantelfunctie en positievergrendeling te gebruiken.
- Als kantelen naar een hoek van minder dan 0° niet mogelijk is, kunt u zo nodig de kantelstoppers (optioneel) verwijderen.
- Bij schade of storingen is het raadzaam om contact op te nemen met de leverancier.
- Controleer of het product stevig is gemonteerd, inclusief alle beschermingsonderdelen, en of alle schroeven goed zijn vastgedraaid.



#### **WAARSCHUWING!**

##### **Risico op letsel en beschadiging**

Als het product onjuist is afgesteld, kan dit ongelukken en ernstig letsel veroorzaken.

- Het product moet worden gerepareerd door een gekwalificeerde technicus.
- Beschadigde onderdelen moeten door een gekwalificeerde technicus worden vervangen.
- Gebruik alleen originele Invacare-reserveonderdelen.

### 7.2 Reiniging en desinfectie

#### 7.2.1 Algemene veiligheidsinformatie



#### **LET OP!**

##### **Besmettingsgevaar**

- Tref voorzorgsmaatregelen voor uw eigen veiligheid en gebruik de juiste beschermingsuitrusting.

**! KENNISGEVING!**

Het gebruik van de verkeerde vloeistoffen of methoden kan het product aantasten of beschadigen.

- Alle gebruikte reinigings- en desinfecteringsmiddelen moeten effectief zijn, met elkaar gecombineerd kunnen worden en de te reinigen materialen beschermen.
- NeverGebruik nooit bijtende vloeistoffen (zuren, basen enzovoort) of schurende reinigingsmiddelen. We raden u aan een gewoon huishoudelijk reinigingsmiddel zoals vaatwasmiddel te gebruiken, indien in de reinigingsinstructies geen ander middel wordt voorgeschreven.
- Gebruik nooit een oplosmiddel (thinner, aceton en dergelijke) waardoor de structuur van de kunststof kan veranderen of labels kunnen loslaten.
- Zorg altijd dat het product volledig droog is voordat u het weer in gebruik neemt.



Volg voor reiniging en desinfectie in klinische omgevingen of omgevingen voor langdurige zorg de intern ingestelde procedures.

**7.2.2 Reinigingsintervallen****KENNISGEVING!**

Regelmatig reinigen en desinfecteren zorgt voor een soepele werking, verhoogt de levensduur en voorkomt besmetting. Reinig en desinfecteer dit product:

- regelmatig als het in gebruik is;
- voor en na onderhoudswerkzaamheden;
- als het in contact is gekomen met lichaamsvocht;
- voordat een nieuwe gebruiker er gebruik van maakt.

**7.2.3 Reiniging**


Het product kan worden schoongemaakt met behulp van commercieel verkrijgbare middelen.

**Reiniging in een huiselijke omgeving**

1. Verwijder eventueel gemonteerde accessoires/opties (alleen accessoires/opties waarvoor geen gereedschap nodig is).
2. Trek de voetsteunen uit de geleiders.
3. Verwijder de zitplaat en de rugbekleding.
4. Verwijder de rem- en klembeschermers (zie hoofdstuk 4.2.9 *De rem- en klembeschermers plaatsen/verwijderen, pagina 23*).
5. Neem de verschillende onderdelen af met een doek of borstel en in de handel verkrijgbare reinigingsmiddelen en desinfecterende middelen.
6. Spoel de onderdelen met warm water af.

7. Droog de onderdelen met een doek.
8. Zet het product weer in elkaar; zie hoofdstuk 4 *Montage, pagina 226*

### Reiniging in een klinische omgeving

-  Naast de hierboven beschreven manier van reinigen raden wij u aan het product te reinigen voordat dit door een andere patiënt wordt gebruikt, na beëindiging van de gebruikperiode of op regelmatige basis (afhankelijk van wat zich het eerst voordoet) bij
- 90 °C gedurende 1 minuut
  - 85 °C gedurende 3 minuten
  - 80 °C gedurende 10 minuten
- in de autoclaaf



#### LET OP!

##### Risico op verbranding van de huid!

- Laat het product afkoelen na reiniging in de wasmachine of autoclaaf.

### De rugbekleding reinigen

1. Verwijder de rugbekleding.
2. Was de bekleding met een mild wasmiddel in de wasmachine op maximaal 60 °C.



#### KENNISGEVING

##### Gevaar voor beschadiging

- Wassen op hogere temperaturen kan leiden tot schade.
- Niet in de wasdroger drogen.



#### KENNISGEVING

Door overmatig reinigen kan het textiel beschadigd raken.

- Wij raden u aan de rugbekleding elke twee jaar te vervangen vanwege hygiënische redenen.

### De ondersteek reinigen (optioneel)

De ondersteek kan worden gereinigd in een autoclaaf met de volgende temperaturen/tijden:

- 90 °C gedurende 1 minuut
- 85 °C gedurende 3 minuten
- 80 °C gedurende 10 minuten

#### 7.2.4 Instructies voor desinfecteren



Informatie over aanbevolen desinfectiemiddelen en -methoden vindt u op <https://vah-online.de/en/for-users>.

### Verzorging thuis

Methode: volg de aanwijzingen voor het aanbrengen van het gebruikte desinfectiemiddel op en neem alle toegankelijke oppervlakken af.

Desinfectiemiddel: een standaard desinfectiemiddel voor huishoudelijk gebruik.

Drogen: Laat het product aan de lucht drogen.

### Ziekenhuis en instelling voor langdurige zorg

Volg de desinfectieprocedures van uw instelling op en gebruik uitsluitend desinfectiemiddelen en -methoden die hierin worden vermeld.

## 8 Na gebruik

### 8.1 Opslag



#### **WAARSCHUWING!**

#### **Risico op beschadiging van het product**

- Bewaar het product in een droge omgeving.
- Bewaar dit product niet in de buurt van warmtebronnen.
- Stel dit product niet bloot aan direct zonlicht.
- Raadpleeg de voorschriften voor opslag en transport in hoofdstuk *10.3 Omgevingsparameters, pagina 249*



Na langdurige opslag kan meer druk nodig zijn om de gasveer te activeren (alleen bij de Ocean Dual VIP Ergo).

### 8.2 Geschikt maken voor hergebruik

Dit product is geschikt voor hergebruik. Om het product voor een nieuwe gebruiker gebruiksklaar te maken, voert u de volgende handelingen uit:

- Inspectie
- Schoonmaken en desinfecteren

Zie voor meer informatie *7 Onderhoud, pagina 242* en de servicehandleiding bij dit product.

Zorg ervoor dat de gebruikershandleiding samen met het product wordt overhandigd.

Hergebruik het product niet als er schade of afwijkingen zijn geconstateerd.

### 8.3 Afvoeren

Wij hopen dat u voldoende milieubewust bent om dit product na de levensduur naar een afvalverwerkingsstation te brengen.

Haal het product en de onderdelen ervan uit elkaar, zodat de verschillende materialen afzonderlijk kunnen worden gerecycled.

Gebruikte producten en verpakkingen moeten worden afgevoerd en gerecycled overeenkomstig de wet- en regelgeving voor afvalverwerking in het betreffende land. Neem contact op met uw plaatselijke afvalverwerkingsbedrijf voor meer informatie.

## 9 Problemen oplossen

### 9.1 Storingen identificeren en oplossen

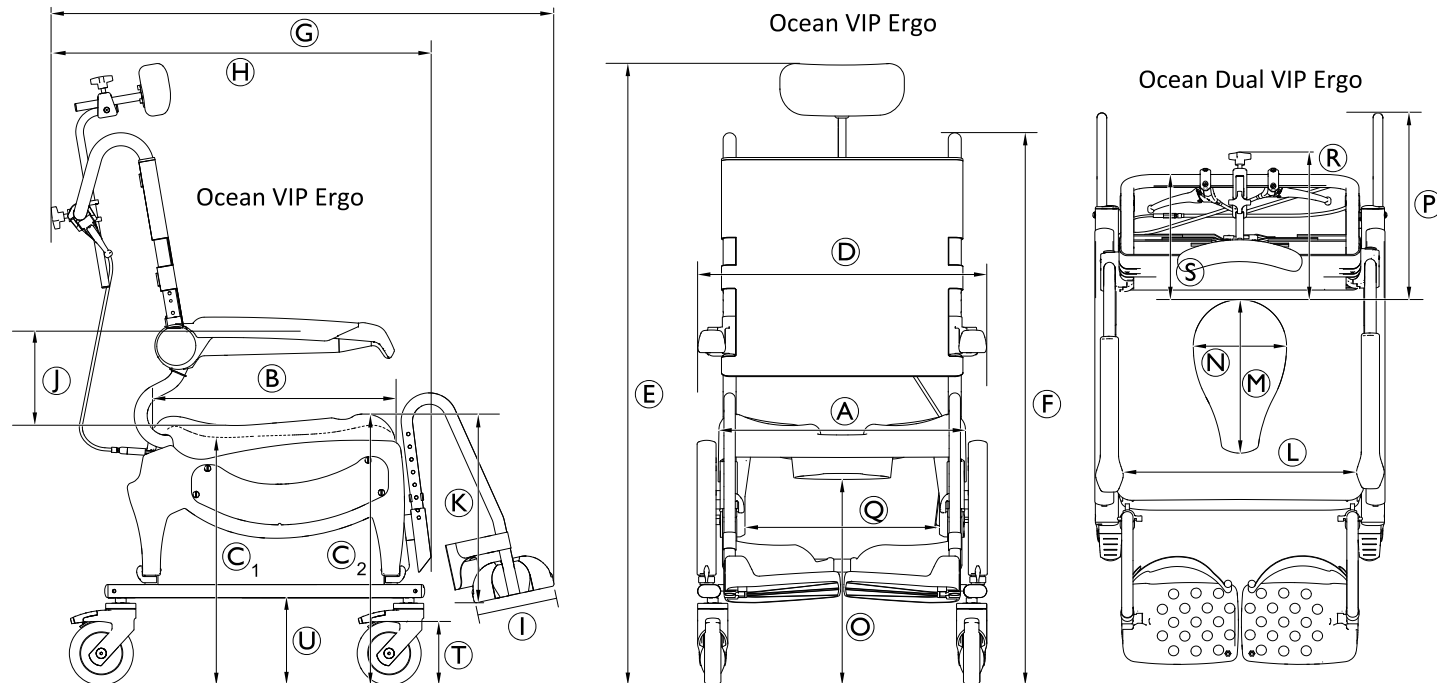


In de volgende tabel vindt u een overzicht van storingen en de mogelijke oorzaken daarvan. Als u de storing niet kunt verhelpen met behulp van de gegeven oplossingen, kunt u ook rechtstreeks contact opnemen met uw leverancier.

Storing	Mogelijke oorzaak	Oplossing
Moeilijkheden bij het aanpassen van de zithoogte	Vuil tussen het zitframe en de zijkant	Verwijder het frame en maak het samen met de zijkant grondig schoon
De zwenkwielen draaien moeilijk of niet	Vuil tussen de vork en de velg	Reinig de zwenkwielen grondig
Moeilijkheden bij het opzij duwen van de voetsteunen	Neerslag in de geleiders	Reinig de voetsteunen en de geleiders grondig
Het zitframe met rugleuning kan niet worden gekanteld	Opgehoopt vuil in kantelmechanisme	Verwijder de rembescherming en remhendelbescherming en maak het kantelmechanisme grondig schoon
	Bowden-kabel niet correct afgesteld	De Bowden-kabel moet worden afgesteld door een gekwalificeerde technicus
Meer kracht nodig om de gasveer te activeren (Dual VIP)	Langdurige opslag	Herhaal de kanteling van de rugleuning meerdere keren
De rugleuning kan niet worden gekanteld (Dual VIP)	Bowden-kabel niet correct afgesteld	De Bowden-kabel moet worden afgesteld door een gekwalificeerde technicus
Ratelend geluid tijdens het kantelen van het zitframe met rugleuning.	Bowden-kabel niet correct afgesteld	De Bowden-kabel moet worden afgesteld door een gekwalificeerde technicus
	De activatiehandgreep is er niet volledig uit getrokken	Trek de activatiehandgreep helemaal naar buiten.

## 10 Technische Specificaties

### 10.1 Afmetingen en gewicht



	Ocean VIP Ergo	Ocean VIP Ergo XL*	Ocean Dual VIP Ergo
(A)		480 mm	
(B)		480 mm	

	Ocean VIP Ergo	Ocean VIP Ergo XL*	Ocean Dual VIP Ergo
Ⓒ <sub>1</sub>	475 mm – 600 mm		
Ⓒ <sub>2</sub>	533 mm – 658 mm		
Ⓓ	565 mm	645 mm	565 mm
Ⓔ	circa 1052 mm–1340 mm (in de neutrale stand van de zitting)		
Ⓕ	circa 1052 mm–1202 mm (in de neutrale stand van de zitting)		
Ⓖ	ca. 1000 mm Gekanteld: ca. 1520 mm Gekanteld en met de rugleuning achterover (alleen bij de Ocean Dual VIP): circa 1700 mm		
Ⓗ	circa 742 mm		
Ⓘ	160 mm		
Ⓝ	213 mm/251 mm/289 mm		
Ⓚ	319 mm–469 mm (in stappen van 25 mm)		
Ⓛ	475 mm	535 mm	475 mm
Ⓜ	350 mm (bovenkant)/300 mm (onderkant)		
Ⓝ	250 mm (bovenkant)/182 mm (onderkant)		
Ⓞ	400 mm – 525 mm		
Ⓟ	—	—	380 mm
Ⓠ	385 mm		
Ⓡ	295 mm	—	
Ⓢ	230 mm	—	
Ⓣ	Æ 5 inch (127 mm)		



	Ocean VIP Ergo	Ocean VIP Ergo XL*	Ocean Dual VIP Ergo
Ⓢ	172 mm		
Hellingshoek van zitting	-5° – 40°		
Minimale hellingshoek van rugleuning	—	—	5° – 35°
Draaidiameter	2200 mm		
Achteruitrijbreedte	1140 mm		1290 mm
Gewicht van product	23.5 kg		28.3 kg
Maximaal gebruikersgewicht	150 kg		

\* Als optie zijn XL armsteunen verkrijgbaar.

## 10.2 Materialen

Frame	Roestvrij staal, gemoffeld
Zitplaat	Polypropyleen, glasvezelversterkt
Rugbekleding	Kunststof, PVC-coating
Voetsteunen	Polypropyleen, glasvezelversterkt
Armsteun	Polyamide, glasvezelversterkt
Zwenkwielen	Kunststof en roestvrij staal

Alle onderdelen van het product zijn roestbestendig en bevatten geen natuurrubberlatex.

## 10.3 Omgevingsparameters

Bedrijfsomstandigheden	
Omgevingstemperatuur	10-65 °C
Relatieve luchtvochtigheid	15%-93%, zonder condensvorming
Atmosferische druk	795-1060 hPa
Voorschriften voor opslag en transport	
Omgevingstemperatuur	0-65 °C
Relatieve luchtvochtigheid	30%-75%, zonder condensvorming
Atmosferische druk	795-1060 hPa

Notes

**Australia:**

Invacare Australia Pty. Ltd.  
Unit 18/12 Stanton Road,  
Seven Hills, NSW 2147,  
Australia  
Phone: 1800 460 460  
Fax: 1800 814 367  
orders@invacare.com.au  
www.invacare.com.au

**España:**

Invacare S.A.  
Avenida del Oeste, 50 – 1<sup>a</sup>-1<sup>a</sup>  
Valencia-46001  
Tel: (34) 972 493 214  
contactsp@invacare.com  
www.invacare.es

**Italia:**

Invacare Mecc San s.r.l.,  
Via dei Pini 62,  
I-36016 Thiene (VI)  
Tel: (39) 0445 38 00 59  
servizioclienti@invacare.com  
www.invacare.it

**Belgium & Luxemburg:**

Invacare nv  
Autobaan 22  
B-8210 Loppem  
Tel: (32) (0)50 83 10 10  
Fax: (32) (0)50 83 10 11  
marketingbelgium@invacare.com  
www.invacare.be

**EU Export:**

Invacare Poirier SAS  
Route de St Roch  
F-37230 Fondettes  
Tel: (33) (0)2 47 62 69 80  
serviceclient\_export@invacare.com  
www.invacare.eu.com

**Nederland:**

Invacare BV  
Galvanistraat 14-3  
NL-6716 AE Ede  
Tel: (31) (0)318 695 757  
nederland@invacare.com  
www.invacare.nl

**Canada:**

Invacare Canada L.P.  
570 Matheson Blvd East, Unit 8  
CDN Mississauga, On. L4Z 4G4  
Phone: (905) 890 8300  
Toll Free: 800.668.5324  
www.pro.invacare.ca

**France:**

Invacare Poirier SAS  
Route de St Roch  
F-37230 Fondettes  
Tel: (33) (0)2 47 62 64 66  
contactfr@invacare.com  
www.invacare.fr

**New Zealand:**

Invacare New Zealand Ltd  
4 Westfield Place, Mt Wellington 1060  
New Zealand  
Phone: 0800 468 222  
Fax: 0800 807 788  
sales@invacare.co.nz  
www.invacare.co.nz

**Deutschland:**

Invacare GmbH  
Am Achener Hof 8  
D-88316 Isny  
Tel: (49) (0)7562 700 0  
kontakt@invacare.com  
www.invacare.de

**Ireland:**

Invacare Ireland Ltd,  
Unit 5 Seatown Business Campus  
Seatown Road, Swords, County Dublin  
EirCode: K67 K271 — Ireland  
Tel : (353) 1 810 7084  
Fax: (353) 1 810 7085  
ordersireland@invacare.com  
www.invacare.ie

**Österreich:**

Invacare Austria GmbH  
Herzog-Odilo-Straße 101  
A-5310 Mondsee  
Tel: (43) 6232 5535 0  
Fax: (43) 6232 5535 4  
info-austria@invacare.com  
www.invacare.at

1639504-G 2022-12-06



**Making Life's Experiences Possible®**

**AQUATEC®**



**Yes, you can.®**

**Portugal:**

Invacare Lda  
 Rua Estrada Velha, 949  
 P-4465-784 Leça do Balio  
 Tel: (351) (0)225 193 360  
 portugal@invacare.com  
 www.invacare.pt

**Schweiz / Suisse / Svizzera:**

Invacare AG  
 Benkenstrasse 260  
 CH-4108 Witterswil  
 Tel: (41) (0)61 487 70 80  
 Fax: (41) (0)61 488 19 10  
 switzerland@invacare.com  
 www.invacare.ch

**United Kingdom:**

Invacare Limited  
 Pencoed Technology Park, Pencoed  
 Bridgend CF35 5AQ  
 Tel: (44) (0) 1656 776 200  
 uk@invacare.com  
 www.invacare.co.uk

**USA:**

Invacare Corporation  
 One Invacare Way  
 Elyria, Ohio USA  
 44035  
 800-333-6900  
 www.invacare.com

**USA:**

Clarke Health Care Products  
 7830 Steubenville Pike  
 Oakdale, PA 15071, USA  
 Toll Free: (888) 347-4537  
 Phone: (724) 695-2122  
 Fax: (724) 695-2922  
 info@clarkehealthcare.com  
 www.clarkehealthcare.com



Invacare GmbH  
 Am Achener Hof 8  
 D-88316 Isny  
 Germany



Invacare UK Operations Limited  
 Unit 4, Pencoed Technology Park, Pencoed  
 Bridgend CF35 5AQ  
 UK

1639504-G 2022-12-06



**Making Life's Experiences Possible®**

**AQUATEC®**



**Yes, you can.®**